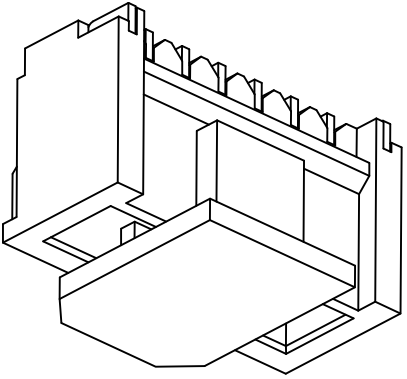
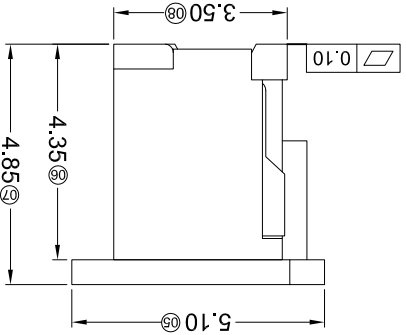
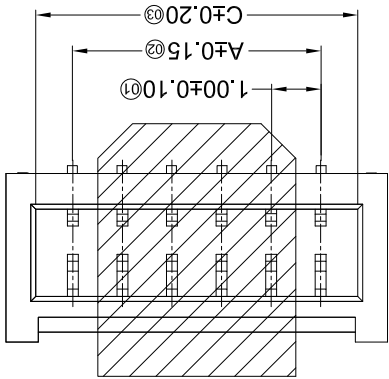
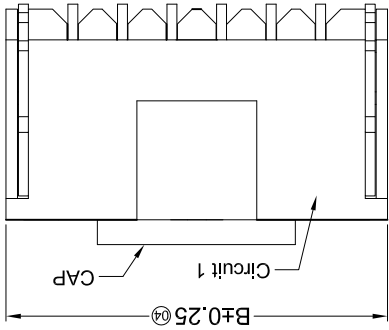
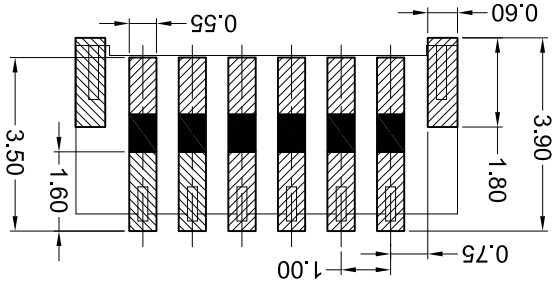


For and on behalf of
XKB INDUSTRIAL PRECISION CO., LIMITED
 香港星坤工業精密有限公司

MARK	DESCRIPTION	DATE	REVISID	APPROVED	UNSPECIFIED TOLERANCES
△ X					± 0.5
△ X					$16 > L \leq 63$
△ X					$4 \leq L \leq 16$
					$L \leq 4$
					± 0.2
					ANGULAR
					$\pm 5^\circ$

REVISION	SHEET	WEIGHT	SIZE	DATE	DATE	DATE	DATE	DATE
A0	1/1	1.0g	A4					

Recommended P.C.B Layout
 General Tolerance: ± 0.05



PART NO	Material (Ph And Solder Cap)	Material (Ph And Solder Tabs)	Finish (Ph And Solder Tabs)	Suitable XKB Terminal
X1002W/S-XXB-9T-SN	PA 9T UL 94V-0	HTN PA9T UL 94V-0	Thin-Plated	1002HB
X1002W/S-XXB-9T-SW	PA 9T UL 94V-0	HTN PA9T UL 94V-0	Thin-Plated	1002HB
X1002W/S-XXB-1T-SW	PA10T UL 94V-0	HTN PA10T UL 94V-0	Matte Tin Plating	1002HB
X1002W/S-XXBHF-9T-SW	PA9T UL 94V-0	HTN PA9T UL 94V-0	Matte Tin Plating	1002HB

Poles	A	B	C	Dimensions(mm)
02	1.00	3.70	2.50	12.50
03	2.00	4.70	3.50	13.50
04	3.00	5.70	4.50	14.50
05	4.00	6.70	5.50	15.50
06	5.00	7.70	6.50	16.50
07	6.00	8.70	7.50	17.50
08	7.00	9.70	8.50	18.50
09	8.00	10.70	9.50	19.50
10	9.00	11.70	10.50	20.50
11	10.00	12.70	11.50	21.50

- ① Series No.
- ② Category: W-water
- ③ Welding Board Angle: V-Stright Angle 180°
- ④ Welding Way: S-SMT
- ⑤ Row No.-Pin No.: XX-02P~20P
- ⑥ Plug the Pin & Special NO:
- ⑦ B-With ultra-thin and With Lock;
- ⑧ HF-Halgen Free
- ⑨ Material: 9T-PA9T ; HT-HTN 6T ; 1T-PA10T
- ⑩ Planting Category:
- ⑪ SN-Bright tin plating 70"Min.; 30" NI
- ⑫ SW-Matte Tin plating 70"Min.; 30" NI
- ⑬ Color: Blank-Natural color

X1002 W V S-XX B-XX XX XX

- Specifications :
- Voltage rating: 125V AC / DC
- Current rating: 1A AC / DC
- Withstanding voltage: 500V AC/minute
- Temperature range: -25°C~+85°C
- Insulation resistance: $\geq 100M\Omega$
- Contact resistance: $\leq 20m\Omega$
- After environmental testing: $\leq 40m\Omega$

For and on behalf of
XKB INDUSTRIAL PRECISION CO., LIMITED
 香港星洲工業精密有限公司

REVISIONS
 Authorized Signatures(s)

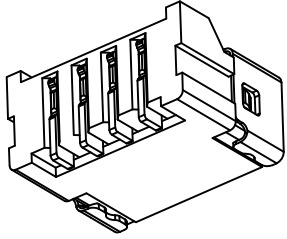
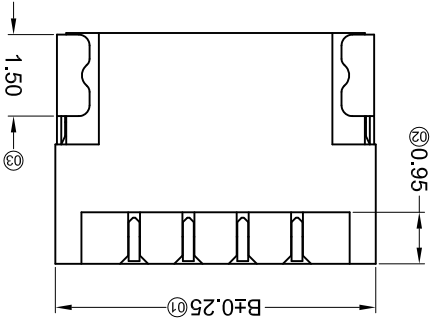
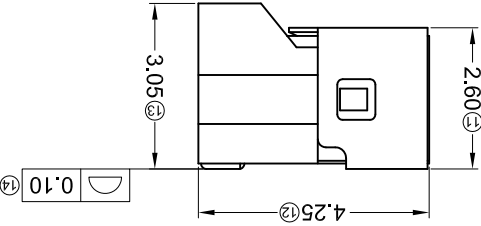
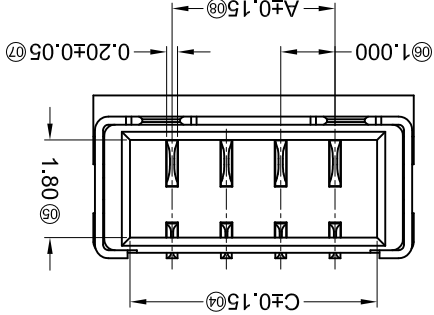
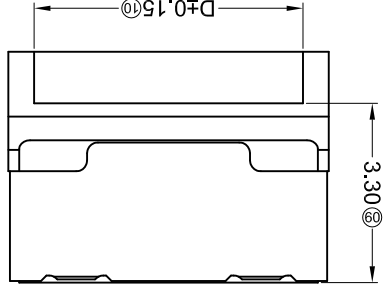
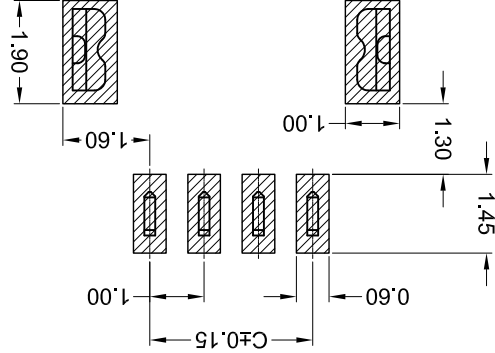
MARK	DESCRIPTION	DATE	REVISED	APPROVED	UNSPECIFIED TOLERANCES
△ X					$L > 63$
△ X					$16 < L \leq 63$
△ X					$4 < L \leq 16$
△ X					$L \leq 4$
					ANGULAR
					$\pm 5^\circ$

XKB INDUSTRIAL PRECISION CO., LIMITED

WEIGHT	1.0g
SHEET	1/1
REVISION	A0
SIZE:	A4
UNIT:	mm
VIEW:	
SCALE:	N/A
MODEL TYPE:	X11002WRS-XXBS-LPSW
PART NO.:	
DWG NO.:	1,00 mm Crimp Style Connectors

PART NO	Material(Water)	Material(Pin)	Finish(Pin)	Material(Shell)	Finish(Shell)	Suitable XKB
X1002WRS-XXBS-LPSW	LCP 94V-0	Phosphor Bronze	Matte Plating	Alloy Steel	Nickel Plating	1002H-B
						1002H-B

Recommended P.C.B Layout
 General Tolerance ± 0.05



Poles	Dimensions (mm)			
	A	B	C	D
03	2.00	4.90	3.50	3.95
04	3.00	5.90	4.50	4.95
06	5.00	7.90	6.50	6.95
12	11.00	13.90	12.50	12.95

- ① Series No.
- ② Category: W-water
- ③ Welding Board Angle: R- Right Angle 90°
- ④ Welding Way: S-SMT
- ⑤ Row No.-Pin No.: XX-Single Row
- ⑥ Plug the Pin & Special NO:
- ⑦ B-With ultra-thin and With Lock
- ⑧ S-With Shell
- ⑨ Material: LP-LCP 94V-0
- ⑩ Plating Category: SW-Matte Tin plating
- ⑪ Color: Blank-Natural color

X1002 W R S-XX BS-LP SW XX

- Specifications :
- Voltage rating: 125V AC / DC
 - Current rating: 1A AC / DC
 - Withstanding voltage: 500V AC/minute
 - Temperature range: -25°C~+85°C
 - Insulation resistance: $\geq 100M\Omega$
 - Contact resistance: $\leq 20m\Omega$
 - After environmental testing: $\leq 40m\Omega$

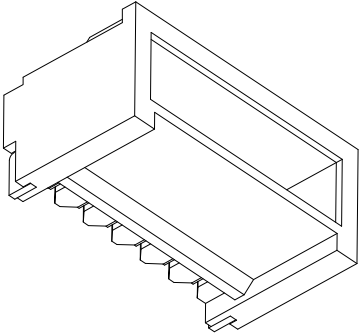
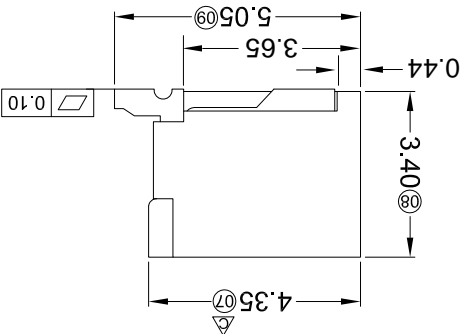
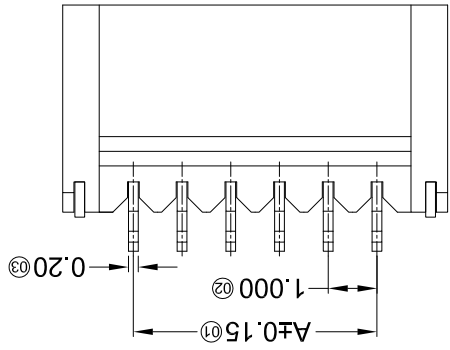
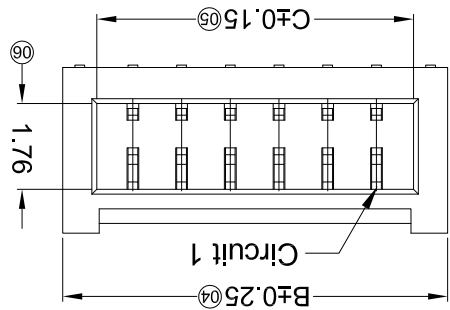
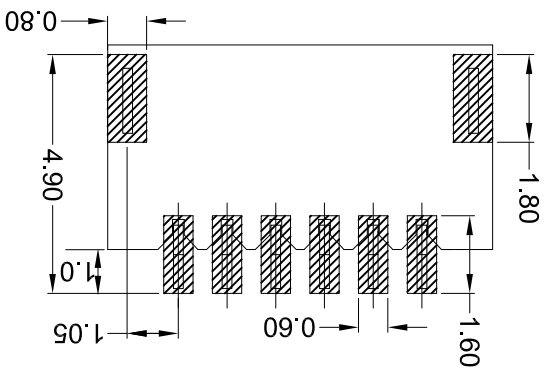
For and on behalf of
XKB INDUSTRIAL PRECISION CO., LIMITED
 香港星坤工業精密有限公司

REVISIONS
 Authorized Signatures(s)

MARK	DESCRIPTION	DATE	REVISD	APPROVED	UNSPCIFIED TOLERANCES
△ X					L > 63 ± 0.5
△ X					16 < L ≤ 63 ± 0.4
△ X					4 < L ≤ 16 ± 0.3
△ X					L ≤ 4 ± 0.2
					ANGULAR ± 5°

DSND	DATE	SCALE: N/A	MODEL TYPE: X1002WRS-XXB-XXSW
APPD	DATE <td>SIZE: A4</td> <td></td>	SIZE: A4	
CHKD	DATE	UNIT: mm	DWG NO.:
DWN	DATE	VIEW:	PART NO.:
			1.00 mm Crimp Style Connectors
			WEIGHT 1.0g
			SHEET 1/1
			REVISION A0

Recommended P.C.B Layout
 General Tolerance±0.05



PART NO	Material	Material (Pin And Solder Tabs)	Finish
X1002WRS-XXBH-9TSW	PA9T UL 94V-0	PA9T UL 94V-0	Tri-Plated
X1002WRS-XXB-1TSW	PA 10T UL 94V-0	HTN 6T UL 94V-0	Matte Tin Plating
X1002WRS-XXB-HTSW	HTN 6T UL 94V-0	PA9T UL 94V-0	
X1002WRS-XXB-9TSW	PA9T UL 94V-0	PA9T UL 94V-0	

Poles	Dimensions (mm)		
	A	B	C
02	1.00	3.90	2.50
03	2.00	4.90	3.50
04	3.00	5.90	4.50
05	4.00	6.90	5.50
06	5.00	7.90	6.50
07	6.00	8.90	7.50
08	7.00	9.90	8.50
09	8.00	10.90	9.50
10	9.00	11.90	10.50
11	10.00	12.90	11.50

■ Specifications :

- Voltage rating: 125V AC / DC
- Current rating: 1A AC / DC
- Withstanding voltage: 500V AC/minute
- Temperature range: -25°C~+85°C
- Insulation resistance: ≥100MΩ
- Contact resistance: ≤20mΩ
- After environmental testing: ≤40mΩ

X1002 W R S-XX B HF-XX XX XX

① Series No.

⑫ Category: W-water

⑬ Welding Board Angle: R- Right Angle 90°

⑭ Welding Way: S-SMT

⑮ Row No.-Pin No.: XX-02P~20P

⑯ Plug the Pin & Special NO.: B-Ultra-thin With Lock

⑰ HF-Halogen Free

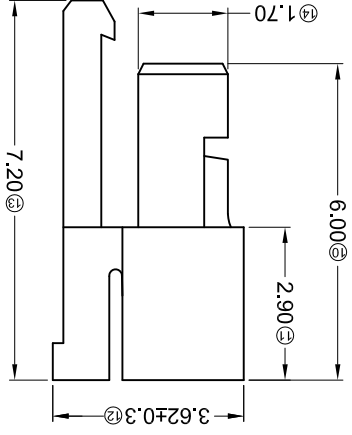
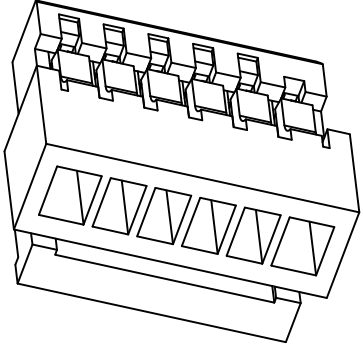
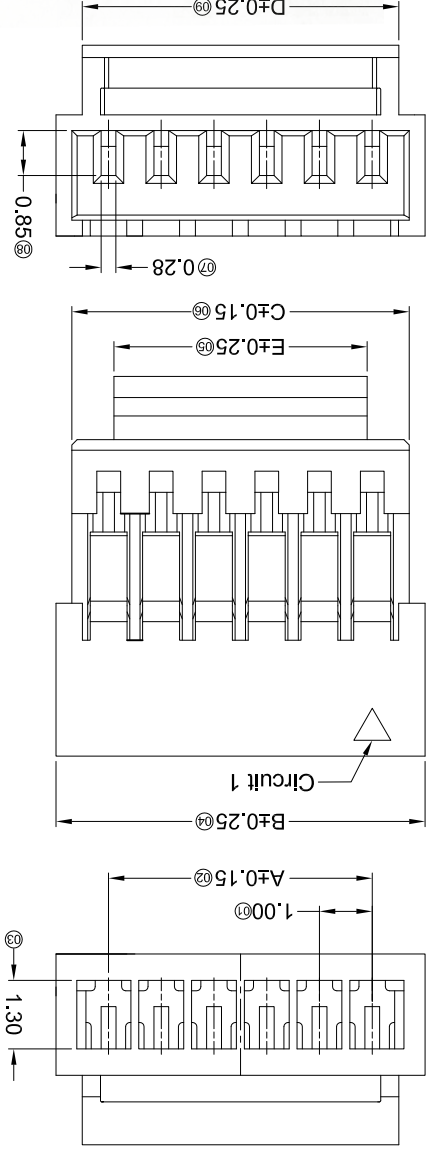
⑱ Material: 9T-PA9T ; 1T-PA10T ; HT-TN 6T 94V-0

⑲ Planting Category:

⑳ SN-Right tin plating 70" Min.; 30" Ni Min.

㉑ SW-Matte Tin plating 70" Min.; 30" Ni Min.

㉒ Color: Blank-Natural color



Poles	Dimensions(mm)				
	A	B	C	D	E
06	5.00	7.00	6.40	6.00	4.80
07	6.00	8.00	7.40	6.00	4.80
08	7.00	9.00	8.40	6.00	4.80
09	8.00	10.00	9.40	6.00	4.80
10	9.00	11.00	10.40	6.00	4.80
11	10.00	12.00	11.40	6.00	4.80
12	11.00	13.00	12.40	6.00	4.80
13	12.00	14.00	13.40	6.00	4.80
14	13.00	15.00	14.40	6.00	4.80
15	14.00	16.00	15.40	6.00	4.80
16	15.00	17.00	16.40	6.00	4.80
17	16.00	18.00	17.40	6.00	4.80
18	17.00	19.00	18.40	6.00	4.80
19	18.00	20.00	19.40	6.00	4.80
20	19.00	21.00	20.40	6.00	4.80

- ① Series No.
 ② Category: H-HSG
 ③ Row No.-Pin No.: XX-02P~20P
 ④ Plug the Pin & special No.:
 B4-Ultra-thin hook,6.00mm
 ⑤ Material: NO-PA66 94V-0
 ⑥ Color: Blank-Natural Color
 ⑦ HF-Halogen Free

- Specifications:
- Voltage rating: 125 AC / DC
 - Current rating: 1A AC / DC
 - Withstanding voltage: 500V AC/minute
 - Temperature range: -25°C~+85°C
 - Insulation resistance: ≥100MΩ
 - Contact resistance: ≤20mΩ
 - After environmental testing: ≤40mΩ

PART NO	Material	Suitable XKB Terminal	Suitable XKB
X1002H-XXB4-N0HF	PA66 UL 94V-0 Halogen Free	1002T-A	1002W

REVISIONS		UNSPECIFIED TOLERANCES		APPROVED		REVISED		DATE		DESCRIPTION		MARK	
△	X	△	≤ 4	△	16 < L ≤ 63	△	± 0.4	△	± 0.2	△	DATE	△	X
△	X	△	L ≤ 4	△	4 < L ≤ 16	△	± 0.3	△	± 0.2	△	DATE	△	X
△	X	△	ANGULAR	△	L > 63	△	± 0.4	△	± 0.2	△	DATE	△	X
△	X	△	± 5°	△	L > 63	△	± 0.5	△	± 0.5	△	DATE	△	X

DSND	DATE	SCALE: N/A	MODEL TYPE: X1002H-XXB4-N0HF
DWN	DATE	VIEW:	PART NO.:
CHKD	DATE	UNIT: mm	DWG NO.:
APPD	DATE	SIZE: A4	WEIGHT: 1.0g
REVISION		SHEET: 1/1	REVISION: A0

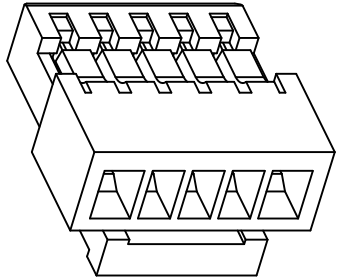
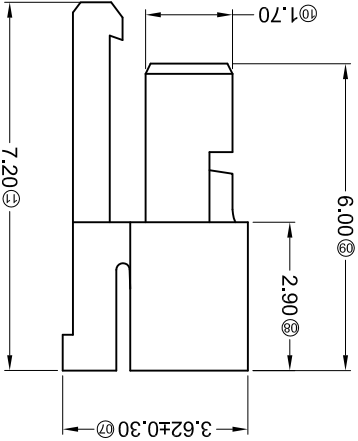
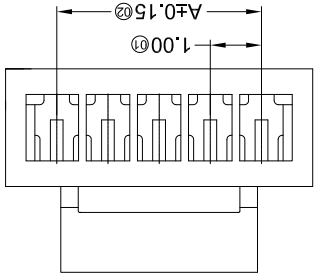
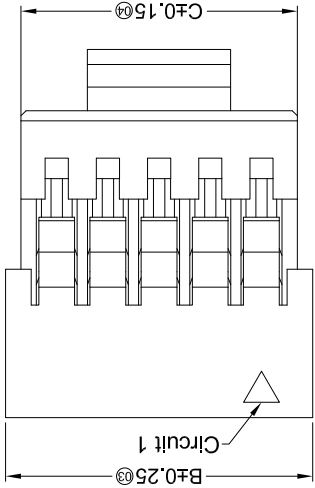
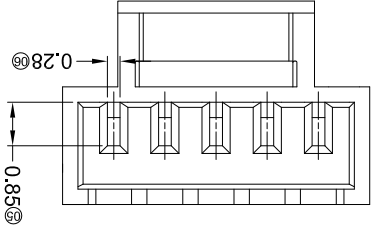
For and on behalf of
 XKB INDUSTRIAL PRECISION CO., LIMITED
 香港星坤工業精密有限公司
 Authorized Signatures(s)

For and on behalf of
XKB INDUSTRIAL PRECISION CO., LIMITED
 香港星坤工業精密有限公司

REVISIONS
 Authorized Signatures(s)

MARK	DESCRIPTION	DATE	REVISED	APPROVED	UNSPECIFIED TOLERANCES
△ X					L > 63
△ X					16 < L ≤ 63
△ X					4 < L ≤ 16
△ X					L ≤ 4
					ANGULAR
					±5°

DSND	DATE	SCALE: N/A	MODEL TYPE: X1002H-XXB2-N0HF
APPD	DATE <td>SIZE: A4</td> <td></td>	SIZE: A4	
CHKD	DATE <td>UNIT: mm</td> <td>DWG NO.:</td>	UNIT: mm	DWG NO.:
DWN	DATE <td>VIEW: </td> <td>PART NO.:</td>	VIEW:	PART NO.:
			1,00 mm Crimp Style Connectors
			WEIGHT: 1.0g
			SHEET: 1/1
			REVISION: A0



PART NO	Material	Suitable XKB Terminal	Suitable K B
X1002H-XXB2-N0HF	PA66 UL 94V-0 Halogen Free	1002T-A	1002ZW
X1002H-XXB2-N0	PA66 UL 94V-0	1002T-A	1002ZW

Poles	Dimensions(mm)		
	A	B	C
02	1.00	3.00	2.40
03	2.00	4.00	3.40
04	3.00	5.00	4.40
05	4.00	6.00	5.40
06	5.00	7.00	6.40
07	6.00	8.00	7.40
08	7.00	9.00	8.40
09	8.00	10.00	9.40
10	9.00	11.00	10.40
11	10.00	12.00	11.40

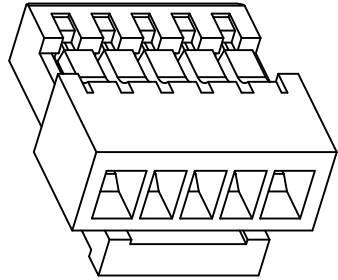
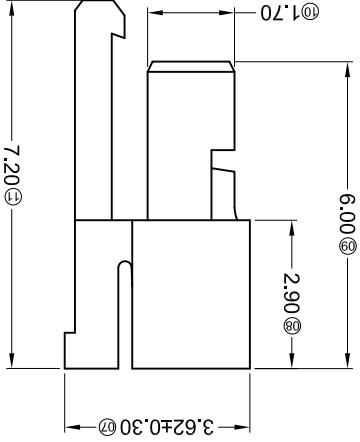
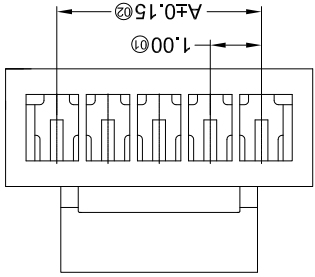
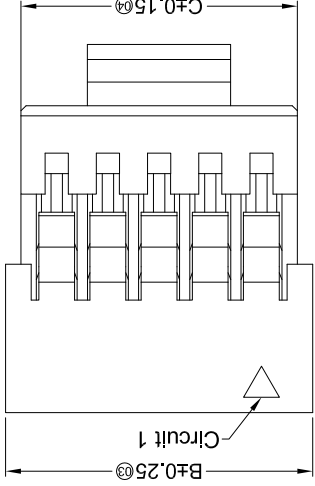
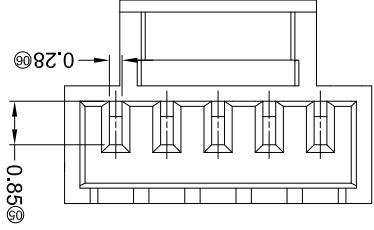
- Specifications :
- Voltage rating: 125 AC / DC
 - Current rating: 1A AC / DC
 - Withstanding voltage: 500V AC/minute
 - Temperature range: -25°C~+85°C
 - Insulation resistance: ≥100MΩ
 - Contact resistance: ≤20mΩ
 - After environmental testing: ≤40mΩ
- X1002 H-XX B2-N0 XX HF
- ① Series No. ② Category: H-HSG
- ③ Row No.-Pin No.: XX-02P~20P
- ④ Plug the Pin & special No.: B2-Ultra-thin hook
- ⑤ Material: N0-PA66 94V-0
- ⑥ Color: Blank-Natural Color
- ⑦ HF-Halogen Free

For and on behalf of
XKB INDUSTRIAL PRECISION CO., LIMITED
 香港星坤工業精密有限公司

REVISIONS
 Authorized Signature(s)

MARK	DESCRIPTION	DATE	REVISED	APPROVED	UNSPECIFIED TOLERANCES
△ X					16 < L ≤ 63 ±0.4
△ X					4 < L ≤ 16 ±0.3
△ X					L ≤ 4 ±0.2
					ANGULAR ±5°

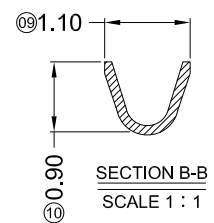
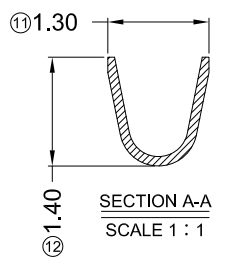
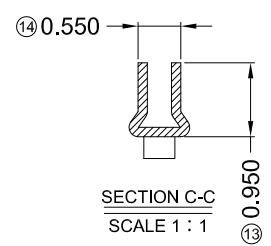
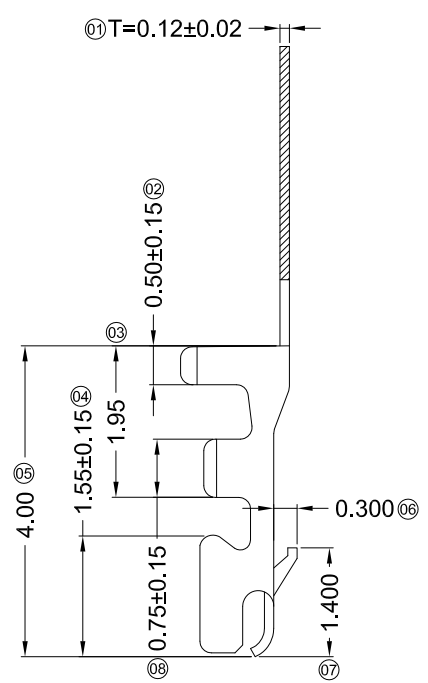
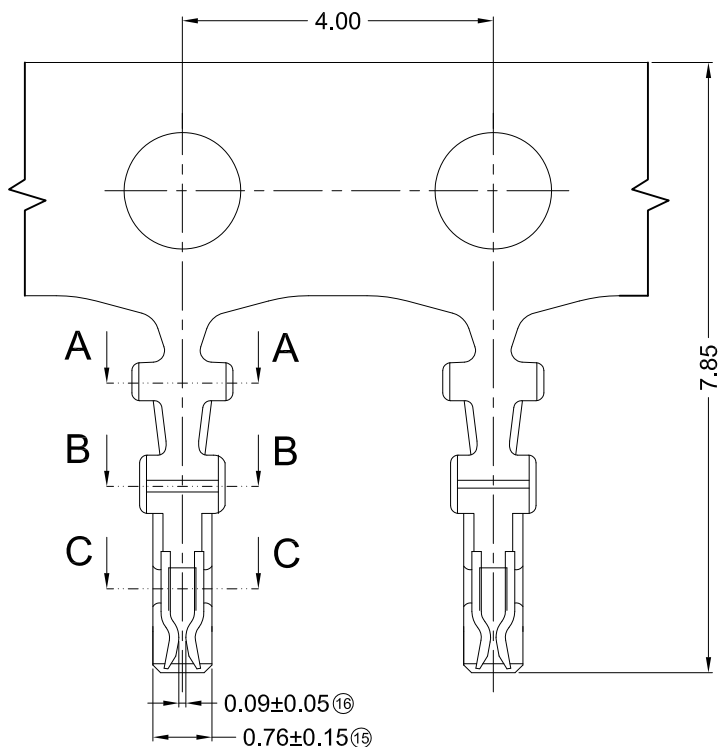
DATE	SCALE: N/A	MODEL TYPE: X1002H-XXB-N0HF	DATE	SCALE: N/A	MODEL TYPE: X1002H-XXB-N0HF
DATE	VIEW:	PART NO.:	DATE	VIEW:	PART NO.:
DATE	UNIT: mm	1,00 mm Crimp Style Connectors	DATE	UNIT: mm	1,00 mm Crimp Style Connectors
DATE	SIZE: A4	DWG NO.:	DATE	SIZE: A4	DWG NO.:
REVISION	SHEET	1/1	REVISION	SHEET	1/1
A0			A0		



PART NO	Material	Suitable XKB Terminal	Suitable XKB
X1002H-XXB-N0	PA66 UL 94V-0	1002T-A	1002W
X1002H-XXB-N0HF	PA66 UL 94V-0 Halogen Free	1002T-A	1002W

Poles	Dimensions(mm)		
	A	B	C
02	1.00	3.00	2.40
03	2.00	4.00	3.40
04	3.00	5.00	4.40
05	4.00	6.00	5.40
06	5.00	7.00	6.40
07	6.00	8.00	7.40
08	7.00	9.00	8.40
09	8.00	10.00	9.40
10	9.00	11.00	10.40
11	10.00	12.00	11.40

- Specifications :
- Voltage rating: 125 AC / DC
 - Current rating: 1A AC / DC
 - Withstanding voltage: 500V AC/minute
 - Temperature range: -25°C~+85°C
 - Insulation resistance: ≥100MΩ
 - Contact resistance: ≤20mΩ
 - After environmental testing: ≤40mΩ
- X1002 H-XX B-N0 XX HF
- ① Series No.
 ② Category: H-HSG
 ③ Row No.-Pin No.: XX-02P~20P
 ④ Plug the Pin & special No.: B-Ultra-thin hook
 ⑤ Material: N0-PA66 94V-0
 ⑥ Color: Blank-Natural Color
 ⑦ HF-Halogen Free



- Specifications :**
- Voltage rating: 125V AC / DC
 - Current rating: 1A AC / DC
 - Withstanding voltage: 500V AC/minute
 - Temperature range: -25°C~+85°C
 - Insulation resistance: ≥100MΩ
 - Contact resistance: ≤20mΩ
 - After environmental testing: ≤40mΩ

X1002 T X-P XX X

- ① Series Number
 ② Category: T-terminal
 ③ Shape: Blank-ordinary
 ④ Material: P-Phosphor bronze
 ⑤ Plating Style:
 V01-All Gold Flash
 SN-Bright tin plating 70u" ; 30u" Ni
 SN2-50u" Ni Min, 120u" Tin Min
 ⑥ Plating method: Blank-Stamping before plating

X1002T-PSN2	Phospho Bronze	AWG#28-32	0.92mm	Stamping Before Plating:50u" Min Ni ; 120u"Sn Min	1002H-A, 1002H-B
X1002T-PV01				Stamping Before Plating:30u" Ni ; Whole Gold :Gold Flash	
X1002T-PSN				Stamping Before Plating:30u" Ni ; 70u"Sn	
PART NO	Material	Wire Range	Insulation O.D.	Finish	Suitable XKB Terminal

For and on behalf of
XKB INDUSTRIAL PRECISION CO., LIMITED
 香港星坤工業精密有限公司

△ X					ANGULAR	±5°
△ X					L ≤ 4	±0.2
△ X					4 < L ≤ 16	±0.3
MARK	DESCRIPTION	DATE	REVISED	APPROVED	16 < L ≤ 63	±0.4
					L > 63	±0.5
REVISIONS					UNSPECIFIED TOLERANCES	

DSND		DATE		SCALE: N/A	MODEL TYPE:
DWN		DATE		VIEW:	1.00 mm Crimp Style Connectors
CHKD		DATE		UNIT: mm	PART NO.:
APPD		DATE		SIZE: A4	X1002T-PXX
					DWG NO.:
				WEIGHT	SHEET
				1.0g	1/1
				REVISION	A0

XKB INDUSTRIAL PRECISION CO., LIMITED

X-ON Electronics

Largest Supplier of Electrical and Electronic Components

Click to view similar products for [Headers & Wire Housings](#) category:

Click to view products by [XKB](#) manufacturer:

Other Similar products are found below :

[95000-104TRLF](#) [10135584-644402LF](#) [DF62W-EP2022PCA](#) [95000-106TRLF](#) [DF62W-2022SCA](#) [DF62W-EP2022PC](#) [2203348](#) [DF62W-2022SC](#) [1084018](#) [1029039](#) [1084017](#) [802-10-012-10-002000](#) [1112640](#) [1112639](#) [891-007-9SS-BST1T](#) [000-34000](#) [0008550134](#) [0009482033](#) [0009507031](#) [57102-F02-18ULF](#) [57102-S06-03LF](#) [57202-S52-04LF](#) [PCN6-15S-2.5E](#) [0039019024](#) [58102-G61-06LF](#) [582553-1](#) [0009485154](#) [0009508121](#) [0022285053](#) [0050291907](#) [018731A](#) [LY20-4P-DT1-P1E-BR](#) [02.125.8002.8](#) [60101931](#) [60598-1 \(Cut Strip\)](#) [M1625-3R/100](#) [61062-3](#) [61082-181009](#) [CSU011177004](#) [636-1427](#) [638009-1](#) [641938-9](#) [641991-4](#) [644168-1](#) [644827-2](#) [647662-1](#) [65039-019ELF](#) [65692-001LF](#) [65781-018](#) [65781-047](#)