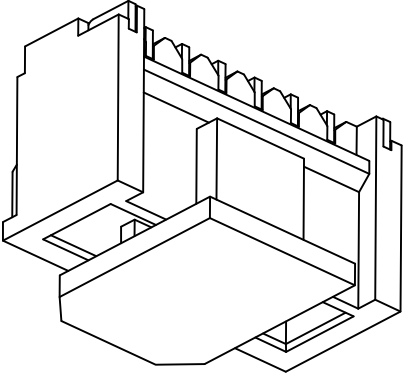
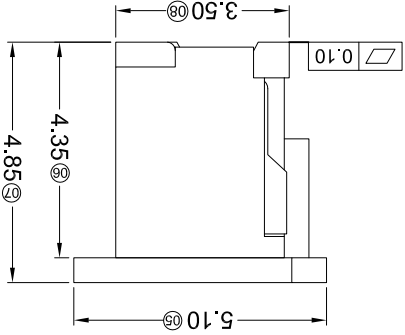
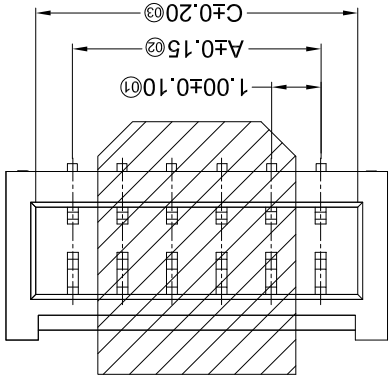
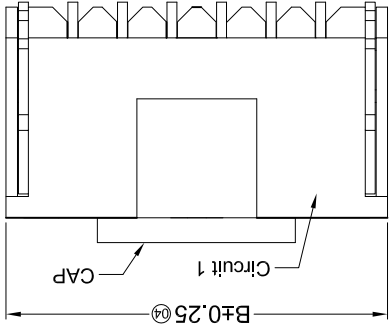
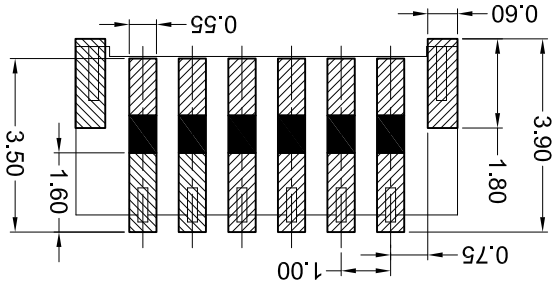


For and on behalf of
XKB INDUSTRIAL PRECISION CO., LIMITED
 香港星坤工業精密有限公司
 REVISIONS
 Authorized Signatures(s)

| MARK | DESCRIPTION | DATE | REVISD | APPROVED | UNSPCIFIED TOLERANCES |
|------|-------------|------|--------|----------|-----------------------|
| △ X | | | | | ± 0.5 |
| △ X | | | | | $16 > L \leq 63$ |
| △ X | | | | | $4 < L \leq 16$ |
| | | | | | $L \leq 4$ |
| | | | | | ± 0.2 |
| | | | | | ANGULAR |
| | | | | | $\pm 5^\circ$ |

| DSND | DATE | SCALE: N/A | MODEL TYPE: X1002W/S-XXB-XXXX |
|--|------|------------|-------------------------------|
| CHKD <th>DATE</th> <th>UNIT: mm</th> <th>DWG NO.:</th> | DATE | UNIT: mm | DWG NO.: |
| APPD <th>DATE</th> <th>SIZE: A4</th> <th>REVISION</th> | DATE | SIZE: A4 | REVISION |
| | | | WEIGHT 1.0g |
| | | | SHEET 1/1 |
| | | | REVISION A0 |

Recommended P.C.B Layout
 General Tolerance: ± 0.05



| PART NO | Material (Ph And Solder Cap) | Material (Ph And Solder Tabs) | Finish (Ph And Solder Tabs) | Suitable XKB Terminal |
|-----------------------|------------------------------|-------------------------------|-----------------------------|-----------------------|
| X1002W/S-XXB-9T-SN | PA 9T UL 94V-0 | | Thi-Plated | |
| X1002W/S-XXB-9T-SW | PA 9T UL 94V-0 | | | |
| X1002W/S-XXB-HT-SW | HTN PA6T UL 94V-0 | | Matte Thi Plating | |
| X1002W/S-XXB-1T-SW | PA10T UL 94V-0 | | | |
| X1002W/S-XXB-HF-9T-SW | PA9T UL 94V-0 | | | |

| Poles | A | B | C | Dimensions(mm) |
|-------|-------|-------|-------|----------------|
| 02 | 1.00 | 3.70 | 2.50 | 12.50 |
| 03 | 2.00 | 4.70 | 3.50 | 13.50 |
| 04 | 3.00 | 5.70 | 4.50 | 14.50 |
| 05 | 4.00 | 6.70 | 5.50 | 15.50 |
| 06 | 5.00 | 7.70 | 6.50 | 16.50 |
| 07 | 6.00 | 8.70 | 7.50 | 17.50 |
| 08 | 7.00 | 9.70 | 8.50 | 18.50 |
| 09 | 8.00 | 10.70 | 9.50 | 19.50 |
| 10 | 9.00 | 11.70 | 10.50 | 20.50 |
| 11 | 10.00 | 12.70 | 11.50 | 21.50 |

① Series No.
 ② Category: W-water
 ③ Welding Board Angle: V-Stright Angle 180°
 ④ Welding Way: S-SMT
 ⑤ Row No.-Pin No.: XX-02P~20P
 ⑥ Plug the Pin & Special NO:
 B-With ultra-thin and With Lock;
 HF-Halgen Free
 ⑦ Material: 9T-PA9T ; HT-HTN 6T ; 1T-PA10T
 ⑧ Planting Category:
 SN-Bright tin plating 70"Min.; 30" NI
 SW-Matte Thi plating 70"Min.; 30" NI
 ⑨ Color: Blank-Natural color

X1002 W V S-XX B-XX XX XX

- Specifications :
- Voltage rating: 125V AC / DC
 - Current rating: 1A AC / DC
 - Withstanding voltage: 500V AC/minute
 - Temperature range: -25°C~+85°C
 - Insulation resistance: $\geq 100M\Omega$
 - Contact resistance: $\leq 20m\Omega$
 - After environmental testing: $\leq 40m\Omega$

For and on behalf of
XKB INDUSTRIAL PRECISION CO., LIMITED
 香港星坤工業精密有限公司

REVISIONS
 Authorized Signatures(s)

| MARK | DESCRIPTION | DATE | REVISED | APPROVED | UNSPECIFIED TOLERANCES |
|------|-------------|------|---------|----------|------------------------|
| △ X | | | | | $L > 63$ |
| △ X | | | | | $16 < L \leq 63$ |
| △ X | | | | | $4 < L \leq 16$ |
| △ X | | | | | $L \leq 4$ |
| | | | | | ANGULAR |
| | | | | | $\pm 5^\circ$ |

| REVISION | SHEET | WEIGHT | SCALE: N/A | DATE | DNSD |
|----------|-------|--------|------------|------|------|
| A0 | 1/1 | 1.0g | | | |

| SIZE: A4 | DATE | DATE | DATE | DATE | APPD |
|----------|------|------|------|------|------|
| | | | | | |

| UNIT: mm | DATE | DATE | DATE | CHKD |
|----------|------|------|------|------|
| | | | | |

| VIEW: | DATE | DATE | DATE | DWN |
|-------|------|------|------|-----|
| | | | | |

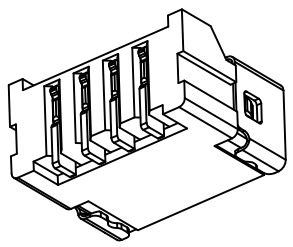
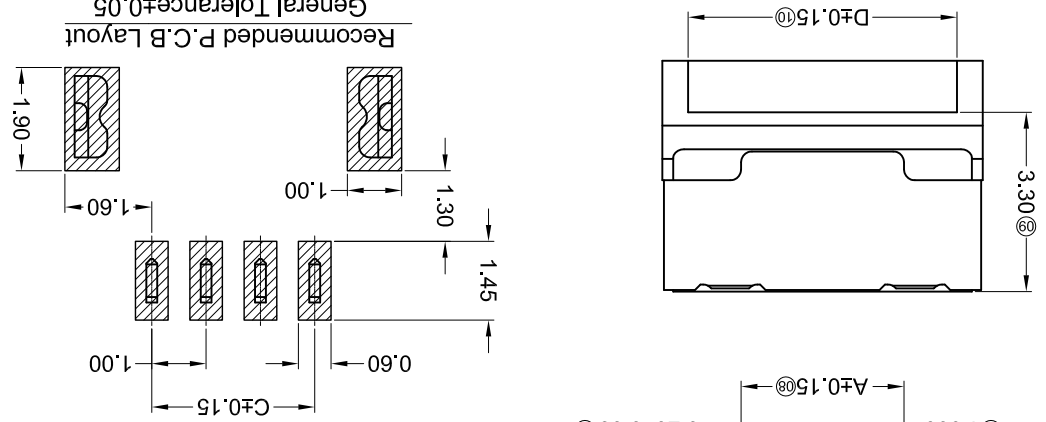
| PART NO.: | DATE | DATE | DATE | APPD |
|-----------|------|------|------|------|
| | | | | |

DWG NO.: 1,00 mm Crimp Style Connectors

PART NO.: X1002WRS-XXBS-LPSW

MODEL TYPE: X1002WRS-XXBS-LPSW

Recommended P.C.B Layout
 General Tolerance ± 0.05



| Poles | Dimensions (mm) | | | |
|-------|-----------------|-------|-------|-------|
| | A | B | C | D |
| 03 | 2.00 | 4.90 | 3.50 | 3.95 |
| 04 | 3.00 | 5.90 | 4.50 | 4.95 |
| 06 | 5.00 | 7.90 | 6.50 | 6.95 |
| 12 | 11.00 | 13.90 | 12.50 | 12.95 |

| PART NO | Material(Water) | Material(Pin) | Finish(Pin) | Material(Shell) | Finish(Shell) | Suitable XKB |
|--------------------|-----------------|-----------------|---------------|-----------------|----------------|--------------|
| X1002WRS-XXBS-LPSW | LCP 94V-0 | Phosphor Bronze | Matte Plating | Alloy Steel | Nickel Plating | 1002H-B |
| | | | | | | 1002H-B |

X1002 W R S-XX BS-LP SW XX

- ① Series No.
- ② Category: W-water
- ③ Welding Board Angle: R- Right Angle 90°
- ④ Welding Way: S-SMT
- ⑤ Row No.-Pin No.: XX-Single Row
- ⑥ Plug the Pin & Special NO:
- ⑦ B-With ultra-thin and With Lock;
- ⑧ S-With Shell
- ⑨ Material: LP-LCP 94V-0
- ⑩ Plating Category:SW-Matte Tin plating
- ⑪ Color: Blank-Natural color

- Specifications :**
- Voltage rating: 125V AC / DC
 - Current rating: 1A AC / DC
 - Withstanding voltage: 500V AC/minute
 - Temperature range: -25°C~+85°C
 - Insulation resistance: $\geq 100M\Omega$
 - Contact resistance: $\leq 20m\Omega$
 - After environmental testing: $\leq 40m\Omega$

For and on behalf of
KXB INDUSTRIAL PRECISION CO., LIMITED
 香港星洲工業精密有限公司
 REVISIONS
 Authorized Signatures(s)

| MARK | DESCRIPTION | DATE | REVISD | APPROVED | UNSPCIFIED TOLERANCES |
|------|-------------|------|--------|----------|-----------------------|
| △ X | | | | | L > 63 |
| △ X | | | | | 16 < L ≤ 63 |
| △ X | | | | | 4 < L ≤ 16 |
| △ X | | | | | L ≤ 4 |
| | | | | | ANGULAR |
| | | | | | ± 5° |

| REVISION | SHEET | WEIGHT | SIZE: A4 |
|----------|-------|--------|----------|
| A0 | 1/1 | 1.0g | |

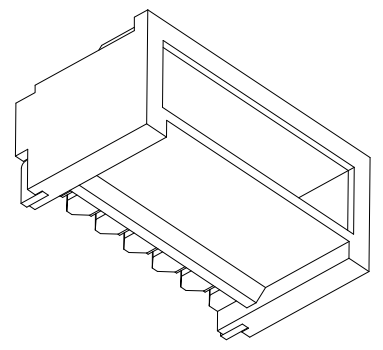
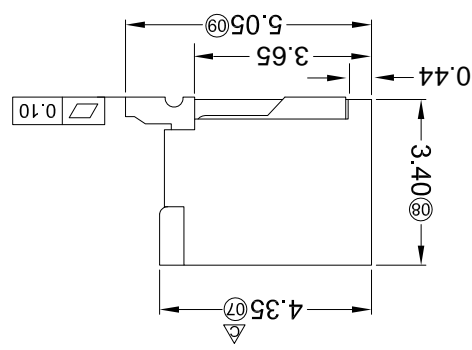
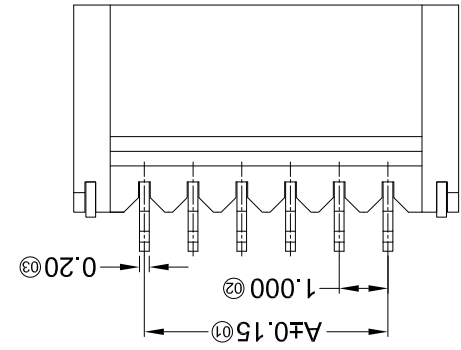
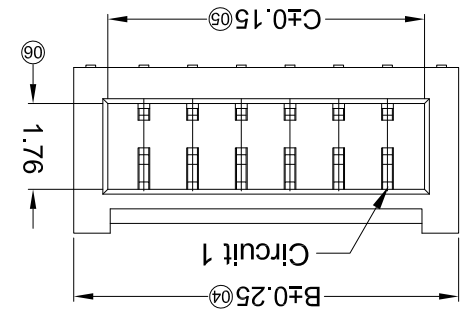
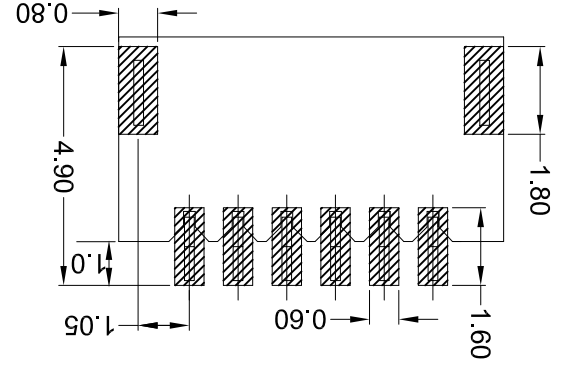
| DATE | DATE | DATE | DATE |
|------|------|------|------|
| | | | |

| APPD | CHKD | DWN | DSND |
|------|------|-----|------|
| | | | |

| SCALE: N/A | VIEW: | UNIT: mm | DMG NO.: |
|------------|-------|----------|--------------------------------|
| | | | 1.00 mm Crimp Style Connectors |

| MODEL TYPE: | PART NO.: |
|-------------------|-----------|
| X1002WRS-XXB-XXSW | |

Recommended P.C.B Layout
 General Tolerance ±0.05



| PART NO | Material | Material (Pin And Solder Tabs) | Finish |
|---------------------|-----------------|--------------------------------|-------------------|
| X1002WRS-XXB-9TSM | PA 9T UL 94V-0 | PA 9T UL 94V-0 | Tri-Plated |
| X1002WRS-XXB-9TSM | PA9T UL 94V-0 | PA9T UL 94V-0 | Matte Tin Plating |
| X1002WRS-XXB-HTSM | HTN 6T UL 94V-0 | HTN 6T UL 94V-0 | |
| X1002WRS-XXB-TTSM | PA 10T UL 94V-0 | PA 10T UL 94V-0 | |
| X1002WRS-XXBH-F9TSM | PA9T UL 94V-0 | PA9T UL 94V-0 (Halogen Free) | |

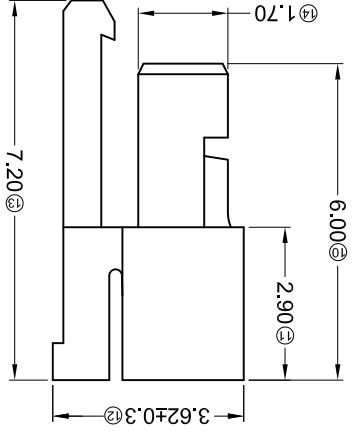
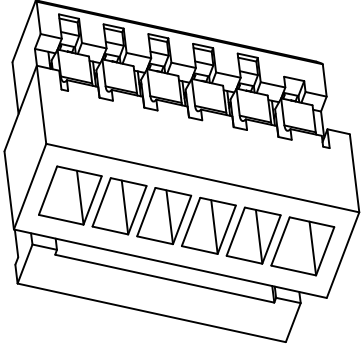
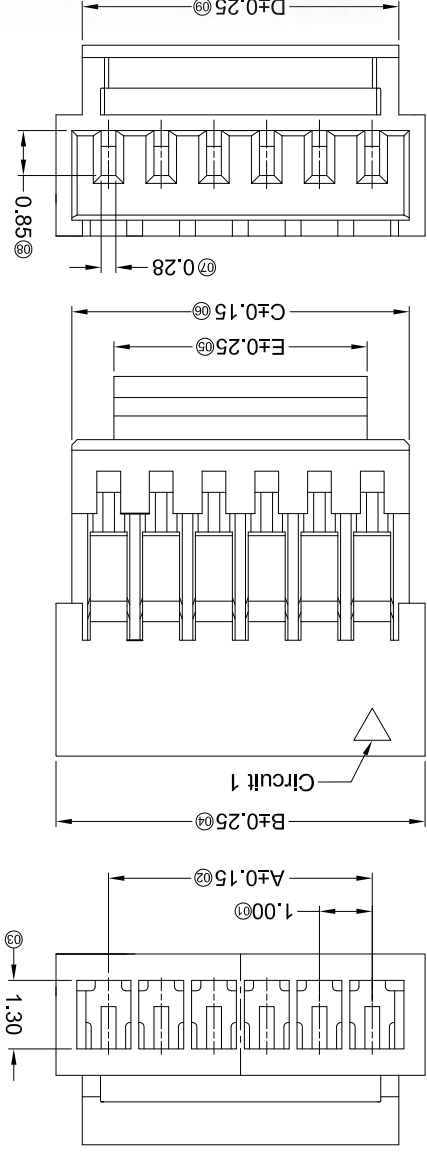
| Poles | Dimensions (mm) | | |
|-------|-----------------|-------|-------|
| | A | B | C |
| 02 | 1.00 | 3.90 | 2.50 |
| 03 | 2.00 | 4.90 | 3.50 |
| 04 | 3.00 | 5.90 | 4.50 |
| 05 | 4.00 | 6.90 | 5.50 |
| 06 | 5.00 | 7.90 | 6.50 |
| 07 | 6.00 | 8.90 | 7.50 |
| 08 | 7.00 | 9.90 | 8.50 |
| 09 | 8.00 | 10.90 | 9.50 |
| 10 | 9.00 | 11.90 | 10.50 |
| 11 | 10.00 | 12.90 | 11.50 |

| Poles | Dimensions (mm) | | |
|-------|-----------------|-------|-------|
| | A | B | C |
| 02 | 11.00 | 13.90 | 12.50 |
| 03 | 12.00 | 14.90 | 13.50 |
| 04 | 13.00 | 15.90 | 14.50 |
| 05 | 14.00 | 16.90 | 15.50 |
| 06 | 15.00 | 17.90 | 16.50 |
| 07 | 16.00 | 18.90 | 17.50 |
| 08 | 17.00 | 19.90 | 18.50 |
| 09 | 18.00 | 20.90 | 19.50 |
| 10 | 19.00 | 21.90 | 20.50 |

- ① Series No.
 ② Category: W-water
 ③ Welding Board Angle: R- Right Angle 90°
 ④ Welding Way: S-SMT
 ⑤ Row No.-Pin No.: XX-02P~20P
 ⑥ Plug the Pin & Special NO.: B-Ultra-thin With Lock
 ⑦ HF-Halogen Free
 ⑧ Material: 9T-PA9T ; 1T-PA10T ; HT-TN 6T 94V-0
 ⑨ Plating Category:
 SN-Bright tin plating 70" Min.; 30" Ni Min.
 SW-Matte Tin plating 70" Min.; 30" Ni Min.
 ⑩ Color: Blank-Natural color

- Specifications :
- Voltage rating: 125V AC / DC
 - Current rating: 1A AC / DC
 - Withstanding voltage: 500V AC/minute
 - Temperature range: -25°C~+85°C
 - Insulation resistance: ≥100MΩ
 - Contact resistance: ≤20mΩ
 - After environmental testing: ≤40mΩ

8
7
6
5
4
3
2
1
A
B
C
D
E
F



| Poles | Dimensions(mm) | | | | |
|-------|----------------|-------|-------|------|------|
| | A | B | C | D | E |
| 06 | 5.00 | 7.00 | 6.40 | 6.00 | 4.80 |
| 07 | 6.00 | 8.00 | 7.40 | 6.00 | 4.80 |
| 08 | 7.00 | 9.00 | 8.40 | 6.00 | 4.80 |
| 09 | 8.00 | 10.00 | 9.40 | 6.00 | 4.80 |
| 10 | 9.00 | 11.00 | 10.40 | 6.00 | 4.80 |
| 11 | 10.00 | 12.00 | 11.40 | 6.00 | 4.80 |
| 12 | 11.00 | 13.00 | 12.40 | 6.00 | 4.80 |
| 13 | 12.00 | 14.00 | 13.40 | 6.00 | 4.80 |
| 14 | 13.00 | 15.00 | 14.40 | 6.00 | 4.80 |
| 15 | 14.00 | 16.00 | 15.40 | 6.00 | 4.80 |
| 16 | 15.00 | 17.00 | 16.40 | 6.00 | 4.80 |
| 17 | 16.00 | 18.00 | 17.40 | 6.00 | 4.80 |
| 18 | 17.00 | 19.00 | 18.40 | 6.00 | 4.80 |
| 19 | 18.00 | 20.00 | 19.40 | 6.00 | 4.80 |
| 20 | 19.00 | 21.00 | 20.40 | 6.00 | 4.80 |

- ① Series No.
 ② Category: H-HSG
 ③ Row No.-Pin No.: XX-02P~20P
 ④ Plug the Pin & special No.: B4-Ultra-thin hook,6.00mm
 ⑤ Material: NO-PA66 94V-0
 ⑥ Color: Blank-Natural Color
 ⑦ HF-Halogen Free

- Specifications :**
 • Voltage rating: 125 AC / DC
 • Current rating: 1A AC / DC
 • Withstanding voltage: 500V AC/minute
 • Temperature range: -25°C~+85°C
 • Insulation resistance: ≥100MΩ
 • Contact resistance: ≤20mΩ
 • After environmental testing: ≤40mΩ

| | | | |
|------------------|----------------------------|-----------------------|--------------|
| PART NO | Material | Suitable XKB Terminal | Suitable XKB |
| X1002H-XXB4-N0HF | PA66 UL 94V-0 Halogen Free | 1002T-A | 1002W |

| | | | | | | | | | |
|---|-------------|--|--------|-----------------------------|------------------------|--------------------|--------|-------------------------------------|------------------------|
| DSNL DATE SCALE: N/A MODEL TYPE: X1002H-XXB4-N0HF | | DWN DATE VIEW: PART NO.: 1.00 mm Crimp Style Connectors | | CHKD DATE UNIT: mm DWG NO.: | | APPD DATE SIZE: A4 | | REVISIONS UNspecified TOLERANCES | |
| MARK | DESCRIPTION | DATE | REVISD | APPROVED | UNSPeCIFIED TOLERANCES | DATE | REVISD | APPROVED | UNSPeCIFIED TOLERANCES |
| △ X | | | | | L > 63 | | | | L > 63 |
| △ X | | | | | 16 < L ≤ 63 | | | | 16 < L ≤ 63 |
| △ X | | | | | 4 < L ≤ 16 | | | | 4 < L ≤ 16 |
| △ X | | | | | L ≤ 4 | | | | L ≤ 4 |
| | | | | | ANGULAR | | | | ANGULAR |
| | | | | | ±5° | | | | ±5° |

For and on behalf of
XKB INDUSTRIAL PRECISION CO., LIMITED
 香港星坤工業精密有限公司
 Authorized Signatures(s)

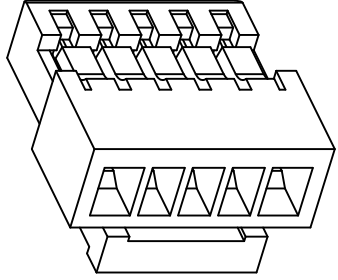
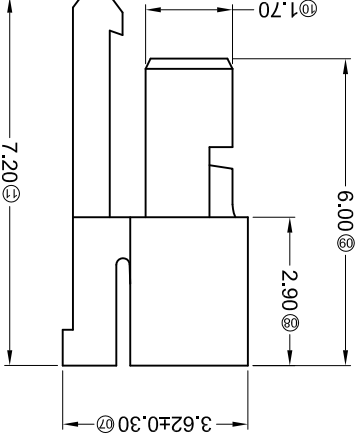
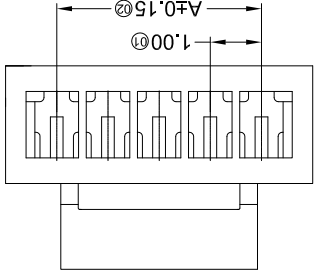
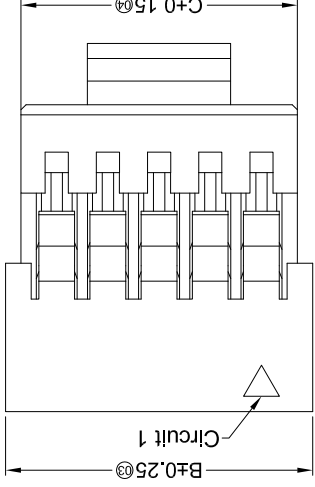
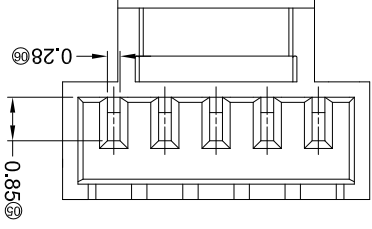
| | | |
|----------|-------|--------|
| REVISION | SHEET | WEIGHT |
| A0 | 1/1 | 1.0g |

For and on behalf of
XKB INDUSTRIAL PRECISION CO., LIMITED
 香港星坤工業精密有限公司

REVISIONS
 Authorized Signatures(s)

| MARK | DESCRIPTION | DATE | REVISED | APPROVED | UNSPECIFIED TOLERANCES |
|------|-------------|------|---------|----------|------------------------|
| △ X | | | | | L > 63 ± 0.5 |
| △ X | | | | | 16 < L ≤ 63 ± 0.4 |
| △ X | | | | | 4 < L ≤ 16 ± 0.3 |
| △ X | | | | | L ≤ 4 ± 0.2 |
| | | | | | ANGULAR ± 5° |

| DSND | DATE | SCALE: N/A | MODEL TYPE: X1002H-XXB2-N0HF |
|------|--|------------|--------------------------------|
| APPD | DATE <td>SIZE: A4</td> <td></td> | SIZE: A4 | |
| CHKD | DATE <td>UNIT: mm</td> <td>DWG NO.:</td> | UNIT: mm | DWG NO.: |
| DWN | DATE <td>VIEW: </td> <td>PART NO.:</td> | VIEW: | PART NO.: |
| | | | 1.00 mm Crimp Style Connectors |
| | | | WEIGHT: 1.0g |
| | | | SHEET: 1/1 |
| | | | REVISION: A0 |



| PART NO | Material | Suitable XKB Terminal | Suitable K B |
|------------------|----------------------------|-----------------------|--------------|
| X1002H-XXB2-N0HF | PA66 UL 94V-0 Halogen Free | 1002T-A | 1002W |
| X1002H-XXB2-N0 | PA66 UL 94V-0 | 1002T-A | 1002W |

| Poles | Dimensions(mm) | | |
|-------|----------------|-------|-------|
| | A | B | C |
| 02 | 1.00 | 3.00 | 2.40 |
| 03 | 2.00 | 4.00 | 3.40 |
| 04 | 3.00 | 5.00 | 4.40 |
| 05 | 4.00 | 6.00 | 5.40 |
| 06 | 5.00 | 7.00 | 6.40 |
| 07 | 6.00 | 8.00 | 7.40 |
| 08 | 7.00 | 9.00 | 8.40 |
| 09 | 8.00 | 10.00 | 9.40 |
| 10 | 9.00 | 11.00 | 10.40 |
| 11 | 10.00 | 12.00 | 11.40 |

- X1002 H-XX B2-N0 XX HF**
 ① Series No.
 ② Category: H-HSG
 ③ Row No.-Pin No.: XX-02P~20P
 ④ Plug the Pin & special No.: B2-Ultra-thin hook
 ⑤ Material: N0-PA66 94V-0
 ⑥ Color: Blank-Natural Color
 ⑦ HF-Halogen Free

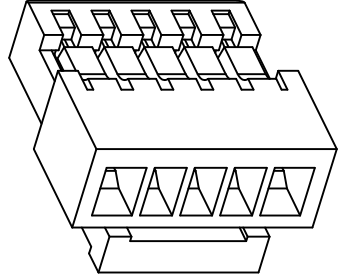
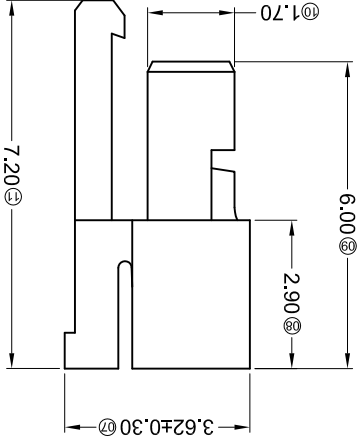
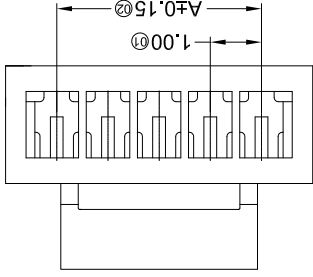
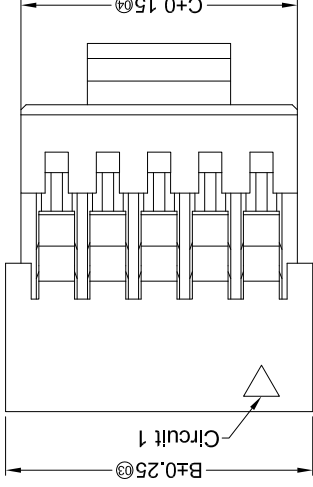
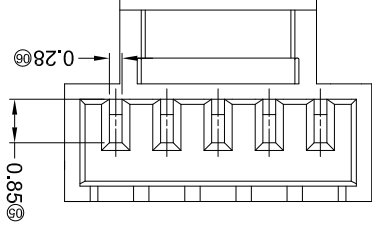
- Specifications :**
 • Voltage rating: 125 AC / DC
 • Current rating: 1A AC / DC
 • Withstanding voltage: 500V AC/minute
 • Temperature range: -25°C~+85°C
 • Insulation resistance: ≥100MΩ
 • Contact resistance: ≤20mΩ
 • After environmental testing: ≤40mΩ

For and on behalf of
XKB INDUSTRIAL PRECISION CO., LIMITED
 香港星坤工業精密有限公司

REVISIONS
 Authorized Signature(s)

| MARK | DESCRIPTION | DATE | REVISED | APPROVED | UNSPECIFIED TOLERANCES |
|------|-------------|------|---------|----------|------------------------|
| △ X | | | | | ±0.5 |
| △ X | | | | | 16 < L ≤ 63 ±0.4 |
| △ X | | | | | 4 < L ≤ 16 ±0.3 |
| △ X | | | | | L ≤ 4 ±0.2 |
| | | | | | ANGULAR ±5° |

| DSND | DATE | SCALE: N/A | MODEL TYPE: X1002H-XXB-N0HF |
|------|--|------------|--------------------------------|
| APPD | DATE <td>SIZE: A4</td> <td></td> | SIZE: A4 | |
| CHKD | DATE <td>UNIT: mm</td> <td>DWG NO.:</td> | UNIT: mm | DWG NO.: |
| DWN | DATE <td>VIEW: </td> <td>PART NO.:</td> | VIEW: | PART NO.: |
| | | | 1,00 mm Crimp Style Connectors |
| | | | WEIGHT: 1.0g |
| | | | SHEET: 1/1 |
| | | | REVISION: A0 |

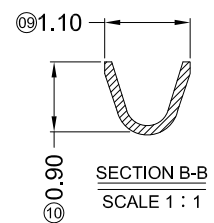
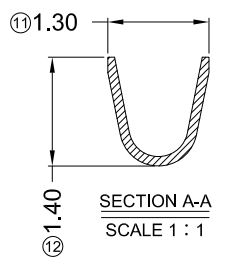
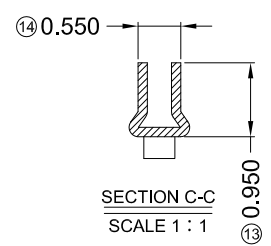
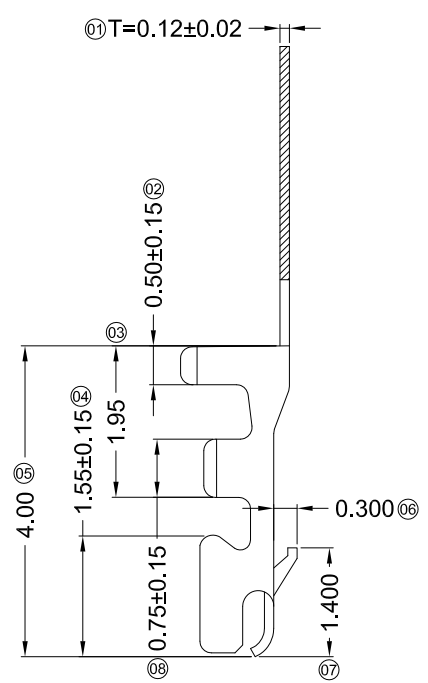
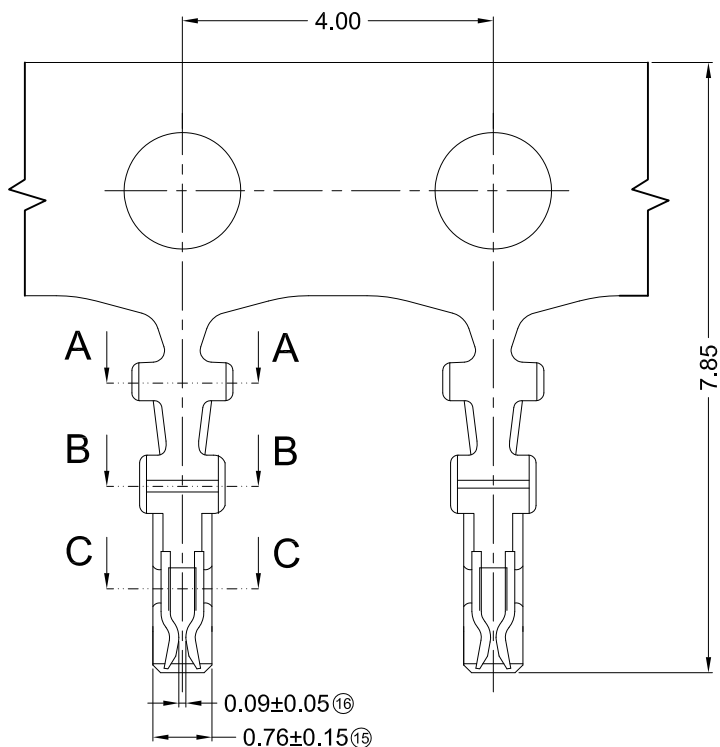


| PART NO | Material | Suitable XKB Terminal | Suitable XKB |
|-----------------|----------------------------|-----------------------|--------------|
| X1002H-XXB-N0 | PA66 UL 94V-0 | 1002T-A | 1002W |
| X1002H-XXB-N0HF | PA66 UL 94V-0 Halogen Free | 1002T-A | 1002W |

| Poles | Dimensions(mm) | | |
|-------|----------------|-------|-------|
| | A | B | C |
| 02 | 1.00 | 3.00 | 2.40 |
| 03 | 2.00 | 4.00 | 3.40 |
| 04 | 3.00 | 5.00 | 4.40 |
| 05 | 4.00 | 6.00 | 5.40 |
| 06 | 5.00 | 7.00 | 6.40 |
| 07 | 6.00 | 8.00 | 7.40 |
| 08 | 7.00 | 9.00 | 8.40 |
| 09 | 8.00 | 10.00 | 9.40 |
| 10 | 9.00 | 11.00 | 10.40 |
| 11 | 10.00 | 12.00 | 11.40 |

X1002 H-XX B-N0 XX HF
 ① Series No.
 ② Category: H-HSG
 ③ Row No.-Pin No.: XX-02P~20P
 ④ Plug the Pin & special No.: B-Ultra-thin hook
 ⑤ Material: N0-PA66 94V-0
 ⑥ Color: Blank-Natural Color
 ⑦ HF-Halogen Free

- Specifications :
- Voltage rating: 125 AC / DC
 - Current rating: 1A AC / DC
 - Withstanding voltage: 500V AC/minute
 - Temperature range: -25°C~+85°C
 - Insulation resistance: ≥100MΩ
 - Contact resistance: ≤20mΩ
 - After environmental testing: ≤40mΩ



- Specifications :**
- Voltage rating: 125V AC / DC
 - Current rating: 1A AC / DC
 - Withstanding voltage: 500V AC/minute
 - Temperature range: -25°C~+85°C
 - Insulation resistance: ≥100MΩ
 - Contact resistance: ≤20mΩ
 - After environmental testing: ≤40mΩ

X1002 T X-P XX X

- ① Series Number
 ② Category: T-terminal
 ③ Shape: Blank-ordinary
 ④ Material: P-Phosphor bronze
 ⑤ Plating Style:
 V01-All Gold Flash
 SN-Bright tin plating 70u" ; 30u" Ni
 SN2-50u" Ni Min, 120u" Tin Min
 ⑥ Plating method: Blank-Stamping before plating

| | | | | | |
|-------------|-------------------|------------|-----------------|--|-----------------------|
| X1002T-PSN2 | Phospho Bronze | AWG#28-32 | 0.92mm | Stamping Before Plating:50u" Min Ni ; 120u"Sn Min | 1002H-A, 1002H-B |
| X1002T-PV01 | | | | Stamping Before Plating:30u" Ni ; Whole Gold :Gold Flash | |
| X1002T-PSN | | | | Stamping Before Plating:30u" Ni ; 70u"Sn | |
| PART NO | Material | Wire Range | Insulation O.D. | Finish | Suitable XKB Terminal |

For and on behalf of
XKB INDUSTRIAL PRECISION CO., LIMITED
 香港星坤工業精密有限公司

| | | | | | | |
|-------------------------|-------------|------|---------|----------|---------------------------------------|------|
| △ X | | | | | ANGULAR | ±5° |
| △ X | | | | | L ≤ 4 | ±0.2 |
| △ X | | | | | 4 < L ≤ 16 | ±0.3 |
| MARK | DESCRIPTION | DATE | REVISED | APPROVED | 16 < L ≤ 63 | ±0.4 |
| | | | | | L > 63 | ±0.5 |
| REVISIONS | | | | | UNSPECIFIED TOLERANCES | |
| Authorized Signature(s) | | | | | XKB INDUSTRIAL PRECISION CO., LIMITED | |

| | | | | | |
|------|--|------|--------|------------|--------------------------------|
| DSND | | DATE | | SCALE: N/A | MODEL TYPE: |
| DWN | | DATE | | VIEW: | 1.00 mm Crimp Style Connectors |
| CHKD | | DATE | | UNIT: mm | PART NO.: |
| APPD | | DATE | | SIZE: A4 | X1002T-PXX |
| | | | | | DWG NO.: |
| | | | WEIGHT | SHEET | REVISION |
| | | | 1.0g | 1/1 | A0 |

X-ON Electronics

Largest Supplier of Electrical and Electronic Components

Click to view similar products for [Headers & Wire Housings](#) category:

Click to view products by [XKB](#) manufacturer:

Other Similar products are found below :

[95000-104TRLF](#) [10135584-644402LF](#) [DF62W-EP2022PCA](#) [95000-106TRLF](#) [DF62W-2022SCA](#) [DF62W-EP2022PC](#) [2203348](#) [DF62W-2022SC](#) [1084018](#) [1029039](#) [1084017](#) [802-10-012-10-002000](#) [1112640](#) [1112639](#) [891-007-9SS-BST1T](#) [000-34000](#) [0008550134](#) [0009482033](#) [0009507031](#) [57102-F02-18ULF](#) [57102-S06-03LF](#) [57202-S52-04LF](#) [PCN6-15S-2.5E](#) [0039019024](#) [58102-G61-06LF](#) [582553-1](#) [0009485154](#) [0009508121](#) [0022285053](#) [0050291907](#) [018731A](#) [LY20-4P-DT1-P1E-BR](#) [02.125.8002.8](#) [60101931](#) [60598-1 \(Cut Strip\)](#) [M1625-3R/100](#) [61062-3](#) [61082-181009](#) [CSU011177004](#) [636-1427](#) [638009-1](#) [641938-9](#) [641991-4](#) [644168-1](#) [644827-2](#) [647662-1](#) [65039-019ELF](#) [65692-001LF](#) [65781-018](#) [65781-047](#)