

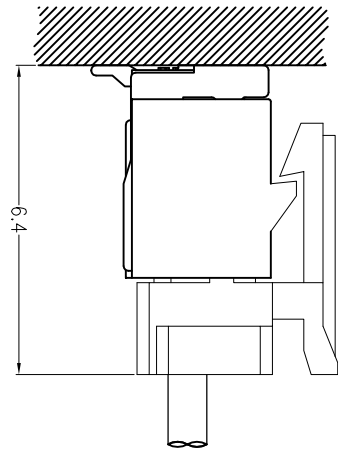
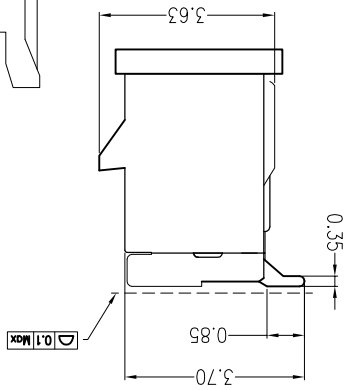
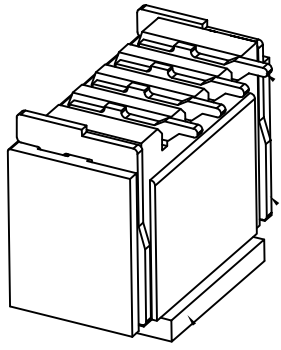
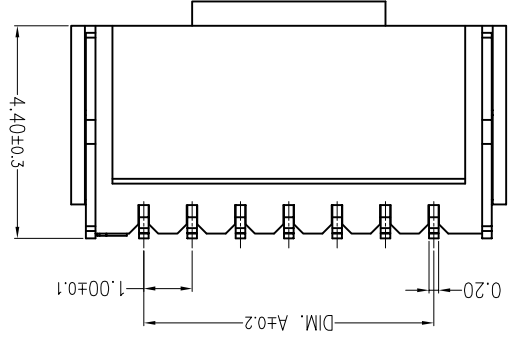
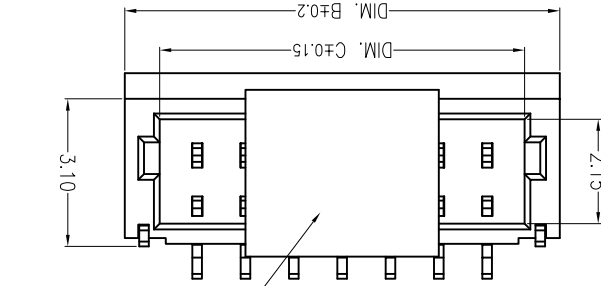
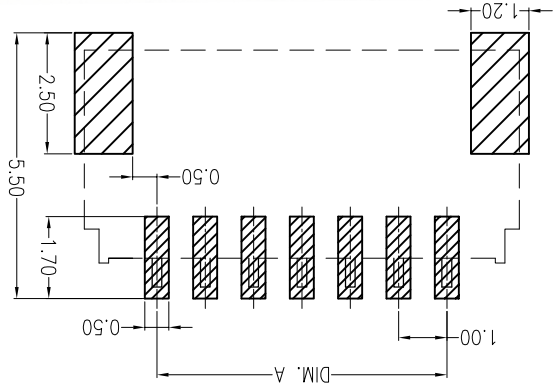
Recommend PCB Layout
for and on behalf of
XKB INDUSTRIAL PRECISION CO., LIMITED
香港星坤工業精密有限公司

REVISIONS
(Authorized Signatures)

MARK	DESCRIPTION	DATE	REVISED	APPROVED	UNSPECIFIED TOLERANCES
△ X					± 0.5
△ X					$16 < L \leq 63$
△ X					$4 < L \leq 16$
△ X					$L \leq 4$
					ANGULAR $\pm 5^\circ$

DSND	DATE	SCALE: N/A	MODEL TYPE: X1002WVS-XXL-LPSWHF
CHKD	DATE <td>UNIT: mm</td> <td>DWG NO.:</td>	UNIT: mm	DWG NO.:
APPD	DATE <td>SIZE: A4</td> <td></td>	SIZE: A4	

REVISION	SHEET	WEIGHT
A0	1/1	1.0g



PART NO	Material	Material(Pin And Solder Tabs)	Finish(Pin And Solder Tabs)	Suitable XKB Terminal
X1002WVS-XXL-HF-LPSW	Nylon 46 UL 94V-0	Brass	Tin-Plated	X1002H-L
X1002WVS-XXL-LPSWHF	Nylon 46 UL 94V-0	Brass	Tin-Plated	X1002H-L

Poles	Dimensions(mm)		
	A	B	C
02	1.00	4.00	2.50
03	2.00	5.00	3.50
04	3.00	6.00	4.50
05	4.00	7.00	5.50
06	5.00	8.00	6.50
07	6.00	9.00	7.50
08	7.00	10.00	8.50
09	8.00	11.00	9.50

Poles	Dimensions(mm)		
	A	B	C
10	9.00	12.00	10.50
11	10.00	13.00	11.50
12	11.00	14.00	12.50
13	12.00	15.00	13.50
14	13.00	16.00	14.50
15	14.00	17.00	15.50
16	15.00	18.00	16.50
19	19.00	22.00	20.50

■ Specifications :

- Voltage rating: 50V AC / DC
- Current rating: 1A AC / DC
- Withstanding voltage: 500V AC/minute
- Temperature range: -25°C~+85°C
- Insulation resistance: ≥100MΩ
- Contact resistance: ≤20mΩ
- After environmental testing: ≤40mΩ

X1002 W V S-XX L-PSW-XX-XX
 ① ② ③ ④ ⑤ ⑥ ⑦ ⑧ ⑨ ⑩

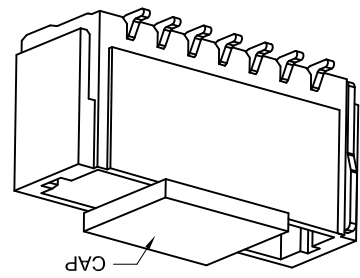
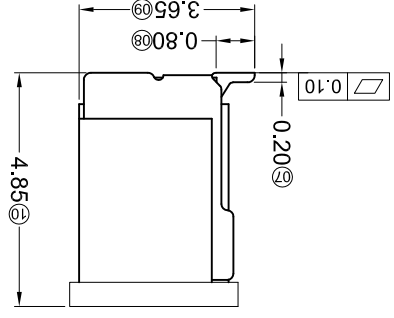
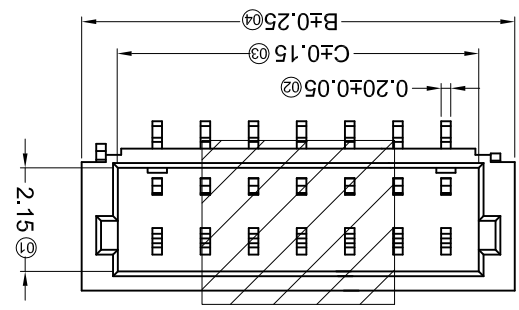
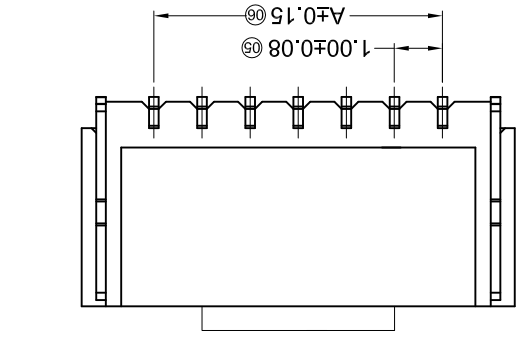
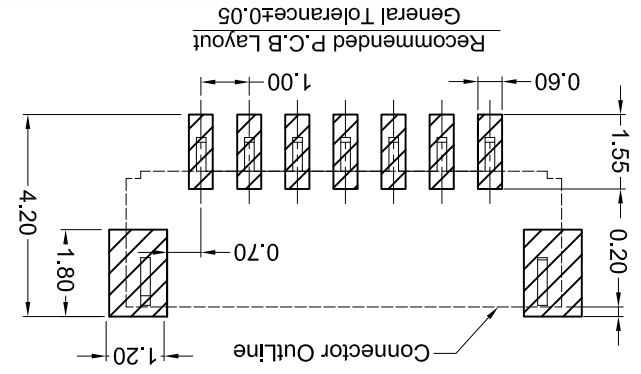
- ① Series No.
- ② Category: W-water
- ③ Welding Board Angle: V-180°
- ④ Welding Way: S-SMT
- ⑤ Row No.-Pin No.: XX-Single row
- ⑥ Plug the Pin & Special NO.: L-With Lock
- ⑦ Material: LP-LCP 94V-0
- ⑧ Planting Category: SW-Matte Tin plating (Tin: 70u Min)
- ⑨ Color: Blank-natural color
- ⑩ HF-Halogen Free ; Blank-Halogen

For and on behalf of
XKB INDUSTRIAL PRECISION CO., LIMITED
 香港星坤工業精密有限公司

REVISIONS
 Authorized Signature(s)

MARK	DESCRIPTION	DATE	REVISED	APPROVED	UNSPECIFIED TOLERANCES
△ X					L > 63
△ X					16 < L ≤ 63
△ X					4 < L ≤ 16
△ X					L ≤ 4
					ANGULAR
					± 5°

DATE	SCALE: N/A	MODEL TYPE: X1002WVS-XXE-LPSWXX	VIEW:	DATE	DATE	DATE	DATE	SIZE: A4	WEIGHT: 1.0g	SHEET: 1/1	REVISION: A0
DNSD											
DWN											
CHKD											
APPD											



PART NO	Material	Material (Pin and Solder Tabs)	Material (Pin And Solder Tabs)	Suitable XKB Terminal
X1002WVS-XXE-LP-SW	LCP UL 94V-0	Phosphor Bronze	Tin Plating Fog	X1002H
X1002WVS-XXE-LPSWHF	LCP UL 94V-0 Halogen Free			

Poles	Dimensions(mm)		
	A	B	C
02	1.00	4.00	2.50
03	2.00	5.00	3.50
04	3.00	6.00	4.50
05	4.00	7.00	5.50
06	5.00	8.00	6.50
07	6.00	9.00	7.50
08	7.00	10.00	8.50
09	8.00	11.00	9.50
10	9.00	12.00	10.50

- Series No. 01 02 03 04 05 06 07 08 09 10
- ① Series No.
 ② Category: W-water
 ③ Welding Board Angle: V-18°
 ④ Welding Way: S-SMT
 ⑤ Row No.-Pin No.: XX-02P~20P
 ⑥ Plug the Pin & Special NO.: E-Ear clip
 ⑦ Material: LP-LCP 94V-0
 ⑧ Plating Category: SW-Matte Tin plating (Tin: 70u Min)
 ⑨ Color: Blank-Natural color
 ⑩ HF-Halogen Free ; Blank-Halogen

- Specifications :
- Voltage rating: 50V AC / DC
 - Current rating: 1A AC / DC
 - Withstanding voltage: 500V AC/minute
 - Temperature range: -25°C~+85°C
 - Insulation resistance: ≥100MΩ
 - Contact resistance: ≤20mΩ
 - After environmental testing: ≤40mΩ

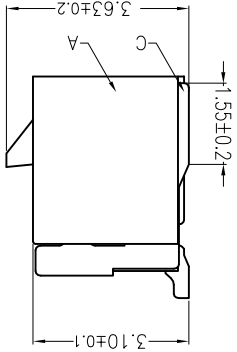
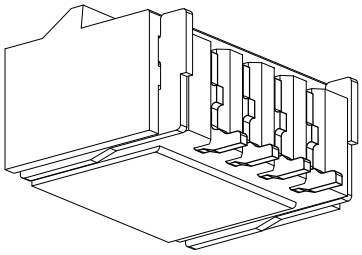
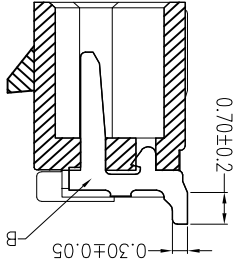
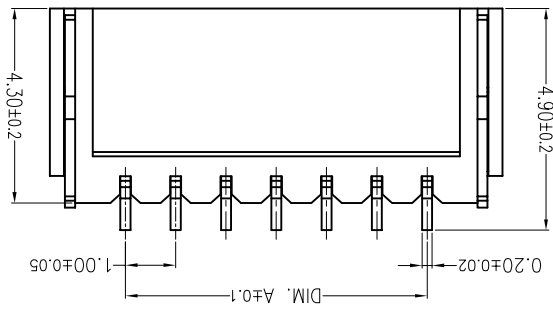
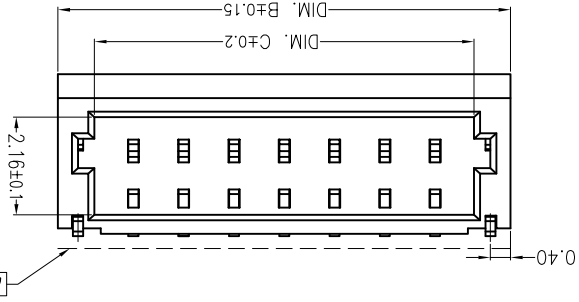
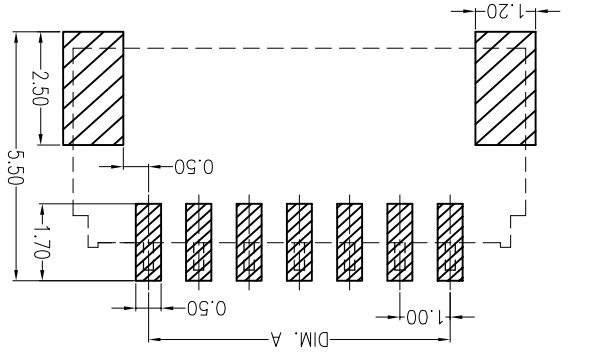
For and on behalf of
KXB INDUSTRIAL PRECISION CO., LIMITED
 香港星洲工業精密有限公司

Authorized Signatures

MARK	DESCRIPTION	DATE	REVISED	APPROVED	UNSPECIFIED TOLERANCES	
					> 63	> 0.5
△ X					$16 < L \leq 63$	± 0.4
△ X					$4 < L \leq 16$	± 0.3
△ X					$L \leq 4$	± 0.2
					ANGULAR	$\pm 5^\circ$

DSND	DATE	SCALE: N/A	MODEL TYPE: X1002WRS-XXL-LPSWHF
DWN	DATE	VIEW: 	PART NO.: 1.00 mm Crimp Shle Connectors
CHKD	DATE	UNIT: mm	DWG NO.:
APPD	DATE	SIZE: A4	WEIGHT: 1.0g
REVISION			
		SHEET	REVISION
		1/1	A0

Recommend PCB Layout



PART NO	Material	Material (Pin And Solder Tabs)	Finish (Pin And Solder Tabs)	Suitable XKB Terminal
X1002WRS-XXL-LPSWHF	PA46 UL 94V-0	Brass	Bright tin plating	X 1002HL
X1002WRS-XXL-LPSWHF	PA46 UL 94V-0	Brass	Bright tin plating	X 1002HL

Poles	Dimensions(mm)			Poles	Dimensions(mm)		
	A	B	C		A	B	C
02	1.00	4.00	2.50	10	9.00	12.00	10.50
03	2.00	5.00	3.50	11	10.00	13.00	11.50
04	3.00	6.00	4.50	12	11.00	14.00	12.50
05	4.00	7.00	5.50	13	12.00	15.00	13.50
06	5.00	8.00	6.50	14	13.00	16.00	14.50
07	6.00	9.00	7.50	15	14.00	17.00	15.50
08	7.00	10.00	8.50	16	15.00	18.00	16.50
09	8.00	11.00	9.50	20	19.00	22.00	20.50

Series No. ① X1002 W R S-XX L-LPXX XX XX
 ② ③ ④ ⑤ ⑥ ⑦ ⑧ ⑨ ⑩

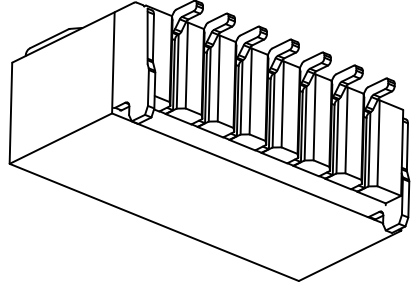
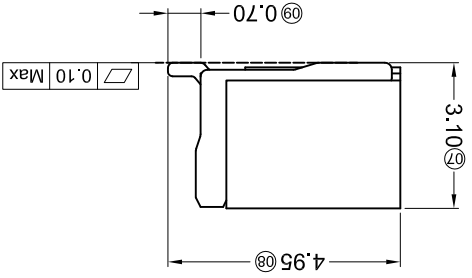
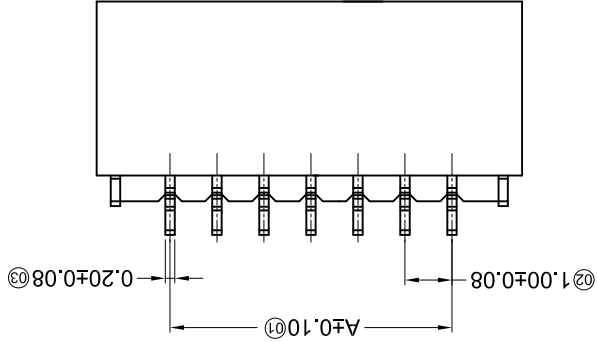
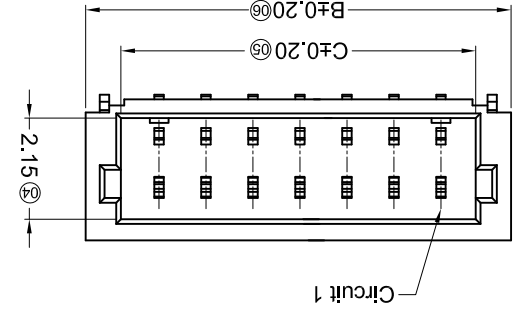
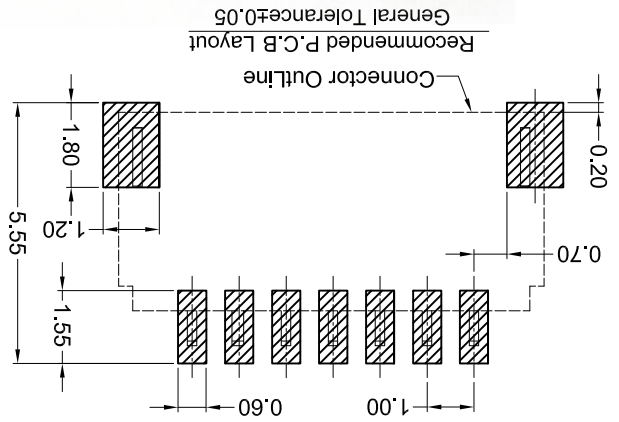
- ① Series No.
- ② Category: W-water
- ③ Welding Board Angle: R-90°
- ④ Welding Way: S-SMT
- ⑤ Row No.-Pin No.: XX-02P~20P
- ⑥ Plug the Pin & Special No.: L-With Lock
- ⑦ Material: 6T-PA6T 94V-0; LP-LCP 94V-0;
- ⑧ 9T-PA9T 94V-0
- ⑨ Planting Category: SW-Matte Tin plating (Tin: 70u Min)
- ⑩ Color: Blank-natural color
- ⑪ HF-Halogen Free ; Blank-Halogen

- Specifications :
- Voltage rating: 50V AC / DC
 - Current rating: 1A AC / DC
 - Withstanding voltage: 500V AC/minute
 - Temperature range: -25°C~+85°C
 - Insulation resistance: ≥100MΩ
 - Contact resistance: ≤20mΩ
 - After environmental testing: ≤40mΩ

For and on behalf of
XKB INDUSTRIAL PRECISION CO., LIMITED
 香港星坤工業精密有限公司

MARK	DESCRIPTION	DATE	REVISOR	APPROVED	UNSPECIFIED TOLERANCES
△ X					± 0.5
△ X					$16 < L \leq 63$
△ X					$4 < L \leq 16$
					$L \leq 4$
					± 0.2
					ANGULAR
					$\pm 5^\circ$

REVISION	SHEET	WEIGHT	SIZE	DATE	DATE	DATE	DATE
A0	1/1	1.0g	A4				



PART NO	Material	Material (Pin)	Material (Solder Tabs)	Finish (Pin and Solder Tabs)	Suitable XKB Terminal
X1002WRS-XXE-LPSWH	LCP UL 94V-0	Phosphor Bronze	Brass	Matte Tin	X1002H
X1002WRS-XXE-LPV01	LCP UL 94V-0	Phosphor Bronze	Brass	Gold Flash	X1002H-L
X1002WRS-XXE-LPSWHF	LCP UL 94V-0	Brass	Brass	Tin-Plated	X1002H-L

Poles	Dimensions(mm)		
	A	B	C
02	1.00	4.00	2.50
03	2.00	5.00	3.50
04	3.00	6.00	4.50
05	4.00	7.00	5.50
06	5.00	8.00	6.50
07	6.00	9.00	7.50
08	7.00	10.00	8.50
09	8.00	11.00	9.50

- ① Series No.
 ② Category: W-wafer
 ③ Welding Board Angle: R-90°
 ④ Welding Way: S-SMT
 ⑤ Row No.-Pin No.: XX-02P~20P
 ⑥ Plug the Pin & Special No.: E-Ear clip
 ⑦ Material: LP-LCP 94V-0
 ⑧ Plating Category:
 V*:All Gold-Plated *01-Gold Flash
 SW-Fog Tin plating SN-Bright tin plating
 Color: Blank-natural color
 ⑩ HF-Halogen Free ; Blank-Halogen

- Specifications :
- Voltage rating: 50V AC / DC
 - Current rating: 1A AC / DC
 - Withstanding voltage: 500V AC/minute
 - Temperature range: -25°C~+85°C
 - Insulation resistance: ≥100MΩ
 - Contact resistance: ≤20mΩ
 - After environmental testing: ≤40mΩ

F

E

D

C

B

A

8

7

6

5

4

3

2

1

8

7

6

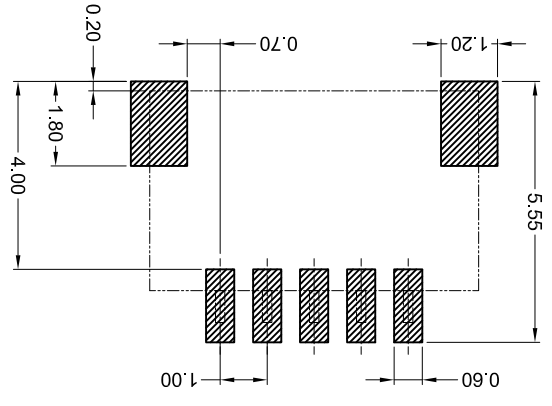
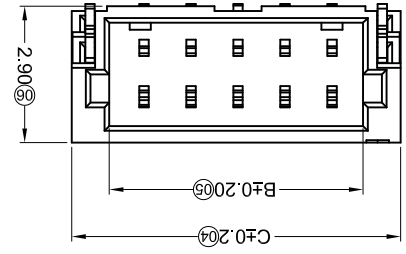
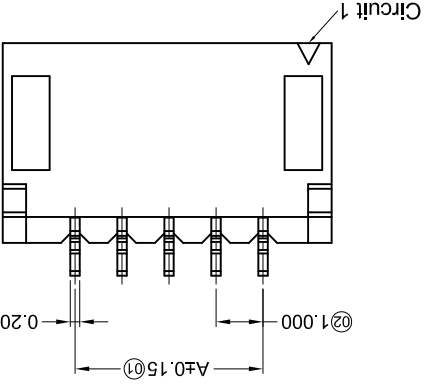
5

4

3

2

1

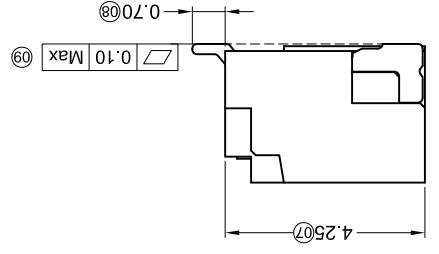


Recommended P.C.B Layout
General Tolerance±0.05

For and on behalf of
XKB INDUSTRIAL PRECISION CO., LIMITED
香港星洲工業精密有限公司

REVISIONS
Authorized Signatures(s)

MARK	DESCRIPTION	DATE	REVISD	APPROVED	UNSPCIFIED TOLERANCES
△ X					L > 63
△ X					16 < L ≤ 63
△ X					4 < L ≤ 16
△ X					L ≤ 4
					ANGULAR
					±5°



PART NO	Material	Material(Fin And Solder Tabs)	Finish(Fin And Solder Tabs)	Suitable XKB Terminal
X1002WRS-XX-LP-SN	LCP UL 94V-0	Phosphor Bronze	Tin-Plated	X-1002H

Poles	Dimensions(mm)		
	A	B	C
02	1.00	2.40	4.00
03	2.00	3.40	5.00
04	3.00	4.40	6.00
05	4.00	5.40	7.00
06	5.00	6.40	8.00
07	6.00	7.40	9.00
08	7.00	8.40	10.00
09	8.00	9.40	11.00
10	9.00	10.40	12.00
11	10.00	11.40	13.00
			22
			21.00
			22.40
			24.00

Series No. ① ② ③ ④ ⑤ ⑥ ⑦ ⑧ ⑨
X1002 W R S-XX X-LP SN XX

- ① Series No.
- ② Category: W-water
- ③ Welding Board Angle: R- Right Angle 90°
- ④ Welding Way: S-SMT
- ⑤ Row No.-Pin No.: XX-02P~22P
- ⑥ Plug the Pin & Special No.:
- ⑦ Material: LCP-LCP 94V-0
- ⑧ Plating Category: SN-Bright tin plating
- ⑨ Color: Blank-Natural Color

- Specifications :
- Voltage rating: 50V AC / DC
 - Current rating: 1A AC / DC
 - Withstanding voltage: 500V AC/minute
 - Temperature range: -25°C~+85°C
 - Insulation resistance: ≥100MΩ
 - Contact resistance: ≤20mΩ
 - After environmental testing: ≤40mΩ

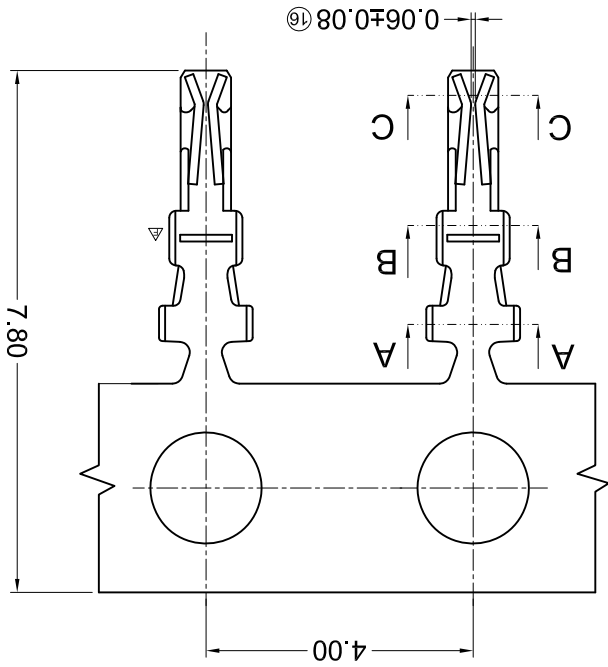
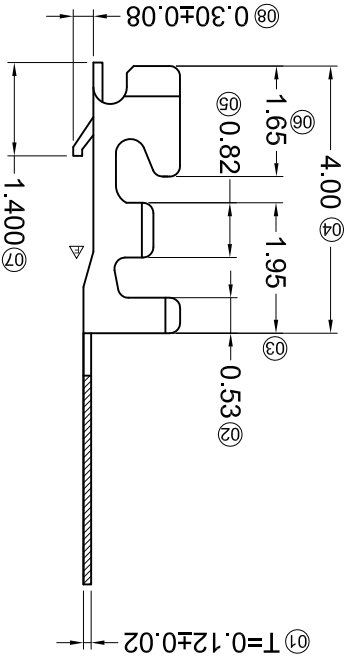
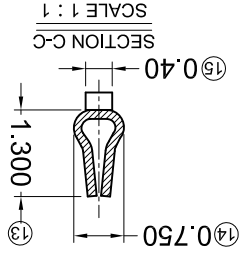
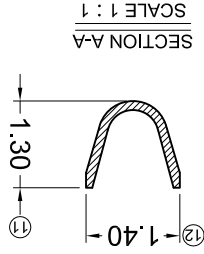
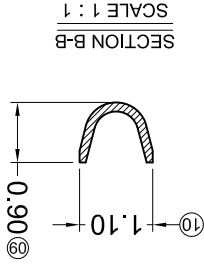
DSND	DATE	SCALE: N/A	MODEL TYPE: X1002WRS-XX-LP-SN
CHKD	DATE <td>UNIT: mm</td> <td>PART NO.:</td>	UNIT: mm	PART NO.:
APPD	DATE <td>SIZE: A4</td> <td>DWG NO.:</td>	SIZE: A4	DWG NO.:
			1.00 mm Crimp Style Connectors
			WEIGHT: 1.0g
			SHEET: 1/1
			REVISION: A0

For and on behalf of
XKB INDUSTRIAL PRECISION CO., LIMITED
 香港星洲工業精密有限公司

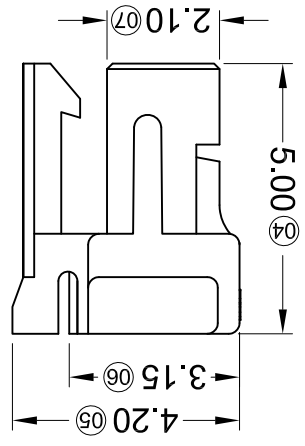
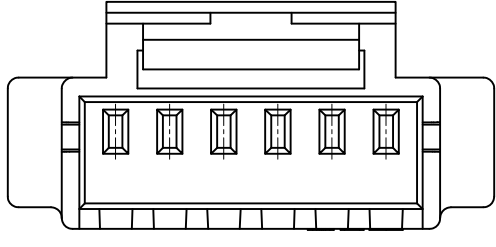
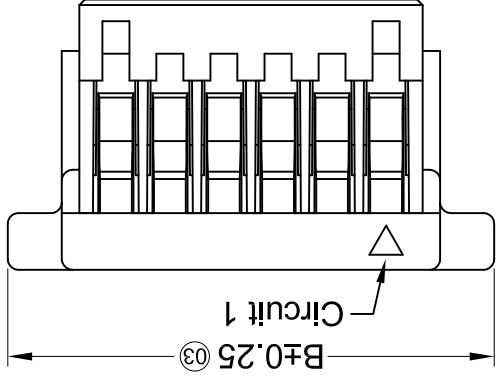
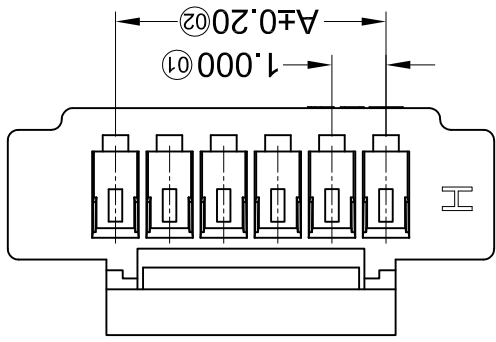
MARK	DESCRIPTION	DATE	REVISED	APPROVED	UNSPECIFIED TOLERANCES
△ X					L > 63
△ X					16 < L ≤ 63
△ X					4 < L ≤ 16
					L ≤ 4
					ANGULAR
					± 5°

REVISIONS	XKB INDUSTRIAL PRECISION CO., LIMITED				
APPD	DATE	SCALE: N/A	MODEL TYPE: X1002T-PXX	VIEW:	DATE
CHKD	DATE	UNIT: mm	PART NO.:	VIEW:	DATE
DWN	DATE	SCALE: N/A	MODEL TYPE: X1002T-PXX	VIEW:	DATE
		SIZE: A4	DWG NO.:		
		WEIGHT: 1.0g	SHEET: 1/1		
		REVISION: A0			

PART NO	Material	Wire Range	Insulation O.D.	Finish	Suitable XKB Terminal
X1002T-PV03	Phosphor Bronze AWG#26-32 0.80mm(Max)			Stamping Before Plating: 30-50u" Ni; 70-120u" Sn	X1002H
X1002T-PV01				Stamping Before Plating: 50u" Min. Ni; 120u" Sn Min.	
X1002T-FSN2				Stamping Before Plating: 50u" Min. Ni; 120u" Sn Min.	
X1002T-FSN				Stamping Before Plating: 30-50u" Ni; 70-120u" Sn	



- Specifications :**
- Voltage rating: 50V AC / DC
 - Current rating: 1A AC / DC
 - Withstanding voltage: 500V AC/minute
 - Temperature range: -25°C~+85°C
 - Insulation resistance: ≥100MΩ
 - Contact resistance: ≤20mΩ
 - After environmental testing: ≤40mΩ
- Series Number: X1002 T X-P XX X-X
- ① ② ③ ④ ⑤ ⑥ ⑦
- ① Series Number
 - ② Category: T-terminal
 - ③ Shape: Blank-ordinary
 - ④ Material: P-Phosphor bronze
 - ⑤ Plating style: V*-All Gold-Plated ; *01-Gold Flash ; *03-3u" SN2-Bright tin plating 70-120u" SN2-Bright tin plating 120u"Min. Ni ; 50u" Min.
 - ⑥ Plating method: Blank-Stamping before plating
 - ⑦ Mold No./Mark/Special No.



- Specifications :**
- Voltage rating: 50V AC / DC
 - Current rating: 1A AC / DC
 - Withstanding voltage: 500V AC/minute
 - Temperature range: -25°C~+85°C
 - Insulation resistance: ≥100MΩ
 - Contact resistance: ≤20mΩ
 - After environmental testing : ≤40mΩ

X1002 H X-XX L-N0 XX
 ① Series No.
 ② Category: H-HSG
 ③ Welding Board Angle: Blank-ordinary
 ④ Row No.-Pin No.: XX-02P~12P
 ⑤ Plug the Pin & special No.: L-With Lock
 ⑥ Material: N0-PA66 94V-0
 ⑦ Color: Blank-Natural color ; BK-Black

Poles	Dimensions(mm)		Poles	Dimensions(mm)	
	A	B		A	B
02	1.00	5.00	12	11.00	15.00
03	2.00	6.00	13	12.00	16.00
04	3.00	7.00	14	13.00	17.00
05	4.00	8.00	15	14.00	18.00
06	5.00	9.00	16	15.00	19.00
07	6.00	10.00	17	16.00	20.00
08	7.00	11.00	18	17.00	21.00
09	8.00	12.00	19	18.00	22.00
10	9.00	13.00	20	19.00	23.00
11	10.00	14.00			

PART NO	Material	Suitable XKB Terminal	Suitable XKB Terminal
X1002H-XXL-N0XX	PA66 UL 94V-0	X1002T	X1002W-L

DSND	DATE	SCALE: N/A	MODEL TYPE: X1002H-XXL-N0XX
DWN	DATE <td>VIEW: </td> <td>PART NO.:</td>	VIEW:	PART NO.:
CHKD	DATE <td>UNIT: mm</td> <td>DWG NO.:</td>	UNIT: mm	DWG NO.:
APPD	DATE <td>SIZE: A4</td> <td>WEIGHT: 1.0g</td>	SIZE: A4	WEIGHT: 1.0g

MARK	DESCRIPTION	DATE	REVISED	APPROVED	UNSPECIFIED TOLERANCES
△ X					L > 63 ±0.5
△ X					16 < L ≤ 63 ±0.4
△ X					4 < L ≤ 16 ±0.3
△ X					L ≤ 4 ±0.2
					ANGULAR ±5°

For and on behalf of
XKB INDUSTRIAL PRECISION CO., LIMITED
 香港星坤工業精密有限公司

REVISED SIGNATURE(S)

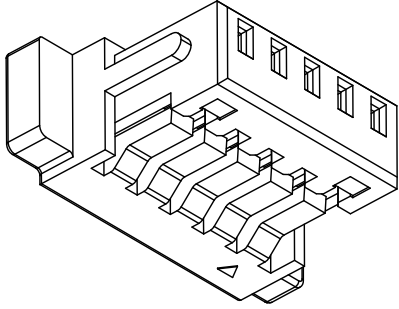
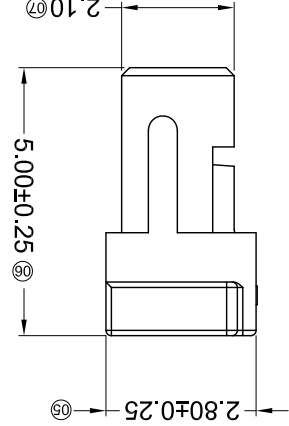
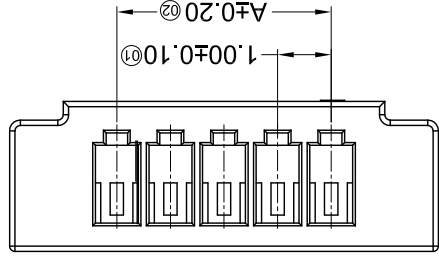
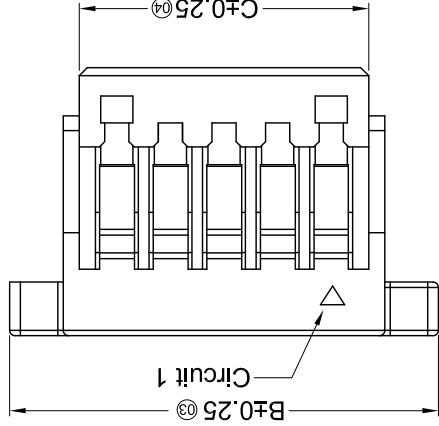
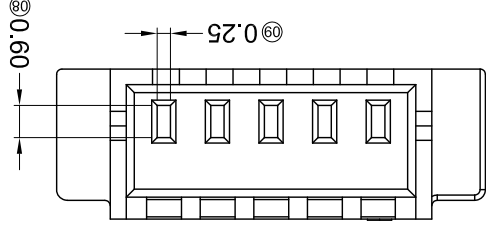
REVISION	SHEET	WEIGHT
A0	1/1	1.0g

For and on behalf of
KXB INDUSTRIAL PRECISION CO., LIMITED
 香港星坤工業精密有限公司

REVISIONS
 Authorized Signatures(s)

MARK	DESCRIPTION	DATE	REVISED	APPROVED	UNSPECIFIED TOLERANCES
△ X					L > 63 ±0.5
△ X					16 < L ≤ 63 ±0.4
△ X					4 < L ≤ 16 ±0.3
△ X					L ≤ 4 ±0.2
					ANGULAR ±5°

DATE	DATE	DATE	DATE	DATE	DATE	REVISION	REVISION
DSND	DWN	CHKD	APPD			WEIGHT	SHEET
SCALE: N/A	VIEW:	UNIT: mm	SIZE: A4			1.0g	1/1
MODEL TYPE: X1002H-XXE-XXHF	PART NO.:	1.00 mm Crimp Style Connectors		DWG NO.:			



PART NO	Material	Suitable XKB Terminal	Suitable XKB Terminal
X1002H-XXE-PT	PBT UL 94V-0		Suitable XKB Terminal
X1002H-XXE-N0	PA66 UL 94V-0		
X1002H-XXE-N0HF	Halogen Free PA66 UL 94V-0		
X1002H-XXE-PGN0HF	Halogen Free P-640PG3G-NC(15%GF)		

Poles	Dimensions(mm)		
	A	B	C
02	1.00	5.00	2.40
03	2.00	6.00	3.40
04	3.00	7.00	4.40
05	4.00	8.00	5.40
06	5.00	9.00	6.40
07	6.00	10.00	7.40
08	7.00	11.00	8.40
09	8.00	12.00	9.40
10	9.00	13.00	10.40
11	10.00	14.00	11.40
12	11.00	15.00	12.40

- ① Series No.
 ② Category: H-HSG
 ③ Welding Board Angle: Blank-ordinary
 ④ Row No.-Pin No.: XX-02P-24P
 ⑤ Plug the Pin & special No.: E-Have ears
 ⑥ Material: PT-PBT; N0-PA66 94V-0
 PGN0-P-640PG3G-NC(15%GF)
 ⑦ Color: Blank-natural color
 ⑧ HF- Halogen Free; Blank- Halogen
- X1002 H X-XX E-XX XX XX
- ① ② ③ ④ ⑤ ⑥ ⑦ ⑧

- Specifications :
- Voltage rating: 50V AC / DC
 - Current rating: 1A AC / DC
 - Withstanding voltage: 500V AC/minute
 - Temperature range: -25°C~+85°C
 - Insulation resistance: ≥100MΩ
 - Contact resistance: ≤20mΩ
 - After environmental testing: ≤40mΩ

For and on behalf of
XKB INDUSTRIAL PRECISION CO., LIMITED
 香港星洲工業精密有限公司

REVISIONS
 Authorized Signatures(s)

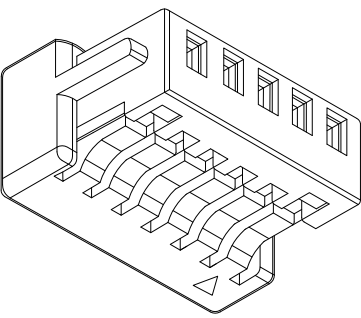
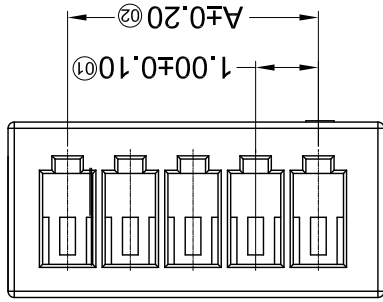
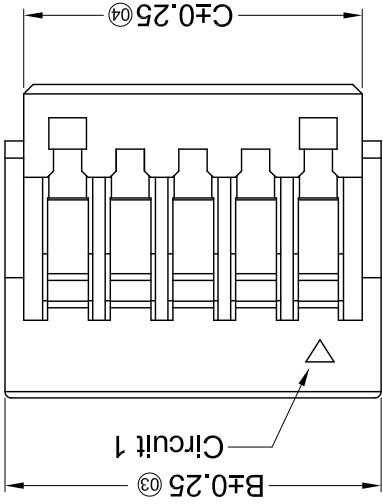
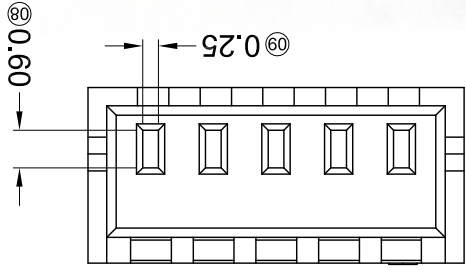
MARK	DESCRIPTION	DATE	REVISED	APPROVED	UNSPECIFIED TOLERANCES
△ X					L > 63
△ X					16 < L ≤ 63
△ X					4 < L ≤ 16
					L ≤ 4
					±0.2
					ANGULAR
					±5°

REVISION	SHEET	WEIGHT	1/1	1.0g	8
A0					

DATE	SCALE: N/A	MODEL TYPE: X1002H-XX-XXHF	VIEW:	UNIT: mm	SIZE: A4
DATE					
DATE					
DATE					

DATE	SCALE: N/A	MODEL TYPE: X1002H-XX-XXHF	VIEW:	UNIT: mm	SIZE: A4
DATE					
DATE					
DATE					

DATE	SCALE: N/A	MODEL TYPE: X1002H-XX-XXHF	VIEW:	UNIT: mm	SIZE: A4
DATE					
DATE					
DATE					



PART NO	Material	Suitable XKB Terminal	Suitable XKB Terminal
X1002H-XX-PT	PBT UL 94V-0		Suitable XKB Terminal
X1002H-XX-N0	PA66 UL 94V-0	X1002T	
X1002H-XX-N0HF	PA66 UL 94V-0 Halogen Free		X1002W

Poles	Dimensions(mm)		
	A	B	C
02	1.00	3.00	2.40
03	2.00	4.00	3.40
04	3.00	5.00	4.40
05	4.00	6.00	5.40
06	5.00	7.00	6.40
07	6.00	8.00	7.40
08	7.00	9.00	8.40
09	8.00	10.00	9.40
10	9.00	11.00	10.40
11	10.00	12.00	11.40
12	11.00	13.00	12.40

Poles	Dimensions(mm)		
	A	B	C
02	12.00	14.00	13.40
03	13.00	15.00	14.40
04	14.00	16.00	15.40
05	15.00	17.00	16.40
06	16.00	18.00	17.40
07	17.00	19.00	18.40
08	18.00	20.00	19.40
09	19.00	21.00	20.40
10	20.00	22.00	21.40
11	21.00	23.00	22.40
12	22.00	24.00	23.40

- X1002 H X-XX X-XX XX XX
- ① Series No.
 - ② Category: H-HSG
 - ③ Welding Board Angle: Blank-ordinary
 - ④ Row No.-Pin No.: XX-02P~24P
 - ⑤ Plug the Pin & special No.
 - ⑥ Material: PT-PBT N0-PA66 94V-0
 - ⑦ Color: Blank-natural color
 - ⑧ HF-Halogen Free ; Blank- Halogen

- Specifications :
- Voltage rating: 50V AC / DC
 - Current rating: 1A AC / DC
 - Withstanding voltage: 500V AC/minute
 - Temperature range: -25°C~+85°C
 - Insulation resistance: ≥100MΩ
 - Contact resistance: ≤20mΩ
 - After environmental testing: ≤40mΩ

X-ON Electronics

Largest Supplier of Electrical and Electronic Components

Click to view similar products for [Headers & Wire Housings](#) category:

Click to view products by [XKB](#) manufacturer:

Other Similar products are found below :

[95000-104TRLF](#) [10135584-644402LF](#) [DF62W-EP2022PCA](#) [95000-106TRLF](#) [DF62W-2022SCA](#) [DF62W-EP2022PC](#) [2203348](#) [DF62W-2022SC](#) [1084018](#) [1029039](#) [1084017](#) [802-10-012-10-002000](#) [1112640](#) [1112639](#) [891-007-9SS-BST1T](#) [000-34000](#) [0008550134](#) [0009482033](#) [0009507031](#) [57102-F02-18ULF](#) [57102-S06-03LF](#) [57202-S52-04LF](#) [PCN6-15S-2.5E](#) [0039019024](#) [58102-G61-06LF](#) [582553-1](#) [0009485154](#) [0009508121](#) [0022285053](#) [0050291907](#) [018731A](#) [LY20-4P-DT1-P1E-BR](#) [02.125.8002.8](#) [60101931](#) [60598-1 \(Cut Strip\)](#) [M1625-3R/100](#) [61062-3](#) [61082-181009](#) [CSU011177004](#) [636-1427](#) [638009-1](#) [641938-9](#) [641991-4](#) [644168-1](#) [644827-2](#) [647662-1](#) [65039-019ELF](#) [65692-001LF](#) [65781-018](#) [65781-047](#)