

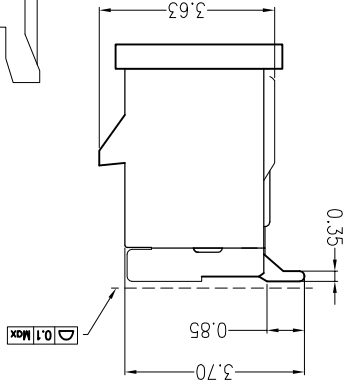
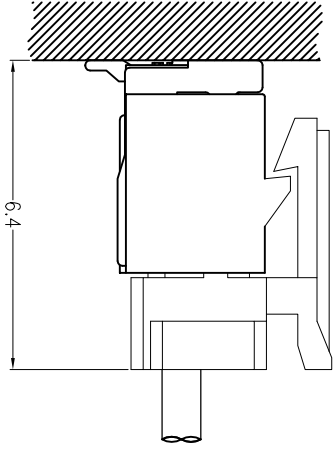
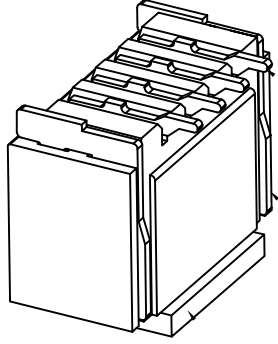
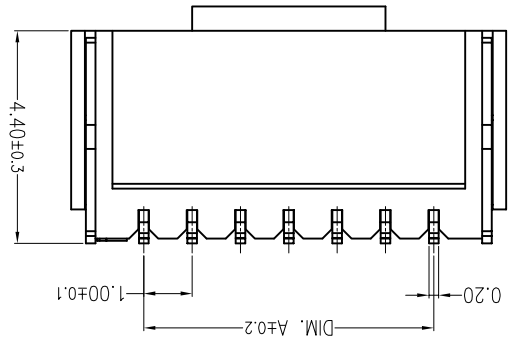
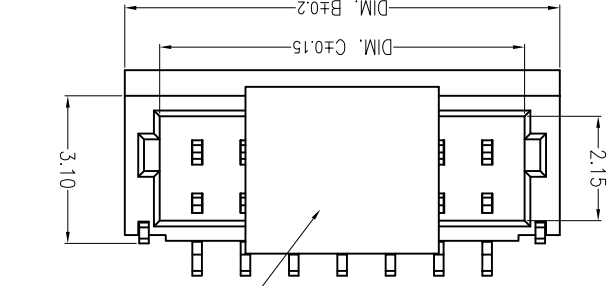
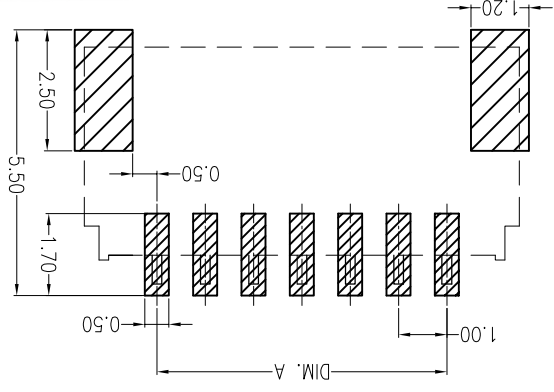
香港星坤工業精密有限公司  
XKB INDUSTRIAL PRECISION CO., LIMITED

Recommend PCB Layout  
for and on behalf of

REVISIONS  
(Authorized Signatures)

MARK	DESCRIPTION	DATE	REVISED	APPROVED	UNSPECIFIED TOLERANCES
△ X					$\pm 0.5$
△ X					$16 < L \leq 63$
△ X					$4 < L \leq 16$
△ X					$L \leq 4$
					ANGULAR $\pm 5^\circ$

DATE	DATE	DATE	DATE	DATE	DATE	DATE	DATE	DATE	
SCALE: N/A	VIEW:	UNIT: mm	SIZE: A4	WEIGHT: 1.0g	SHEET: 1/1	REVISION: A0	XKB INDUSTRIAL PRECISION CO., LIMITED		
MODEL TYPE: X1002WVS-XXL-LPSWHF	PART NO.: X1002WVS-XXL-LPSWHF	1.00mm Crimp Style Connectors		DWG NO.:					
DSND	DWN	CHKD	APPD						



PART NO	Material	Material(Pin And Solder Tabs)	Finish(Pin And Solder Tabs)	Suitable XKB Terminal
X1002WVS-XXL-HF-LPSW	Nylon 46 UL 94V-0	Brass	Tin-Plated	X1002H-L
X1002WVS-XXL-LPSWHF	Nylon 46 UL 94V-0	Brass	Tin-Plated	X1002H-L

Poles	Dimensions(mm)			Poles	Dimensions(mm)		
	A	B	C		A	B	C
02	1.00	4.00	2.50	10	9.00	12.00	10.50
03	2.00	5.00	3.50	11	10.00	13.00	11.50
04	3.00	6.00	4.50	12	11.00	14.00	12.50
05	4.00	7.00	5.50	13	12.00	15.00	13.50
06	5.00	8.00	6.50	14	13.00	16.00	14.50
07	6.00	9.00	7.50	15	14.00	17.00	15.50
08	7.00	10.00	8.50	16	15.00	18.00	16.50
09	8.00	11.00	9.50	20	19.00	22.00	20.50

- X1002 W V S-XX L-PSW-XX-XX  
 ① ② ③ ④ ⑤ ⑥ ⑦ ⑧ ⑨ ⑩  
 ⑪ Series No.  
 ⑫ Category: W-water  
 ⑬ Welding Board Angle: V-180°  
 ⑭ Welding Way: S-SMT  
 ⑮ Row No.-Pin No.: XX-Single row  
 ⑯ Plug the Pin & Special NO.: L-With Lock  
 ⑰ Material: LP-LCP 94V-0  
 ⑱ Planting Category: SW-Matte Tin plating (Tin: 70u Min)  
 ⑲ Color: Blank-natural color  
 ⑳ HF-Halogen Free ; Blank-Halogen

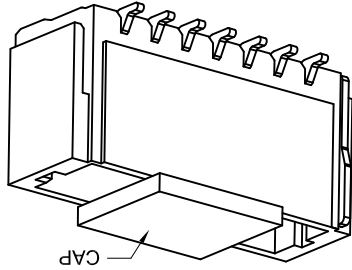
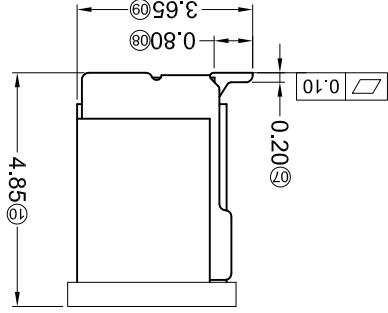
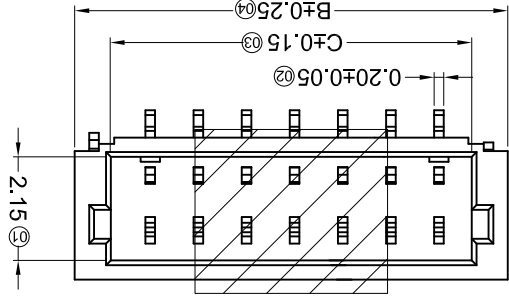
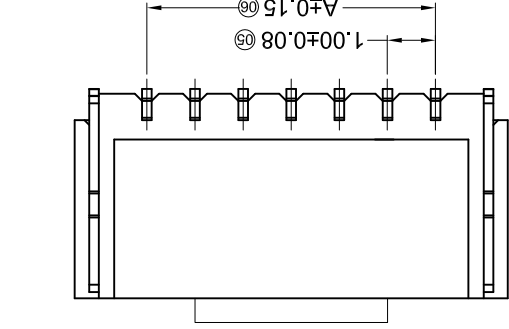
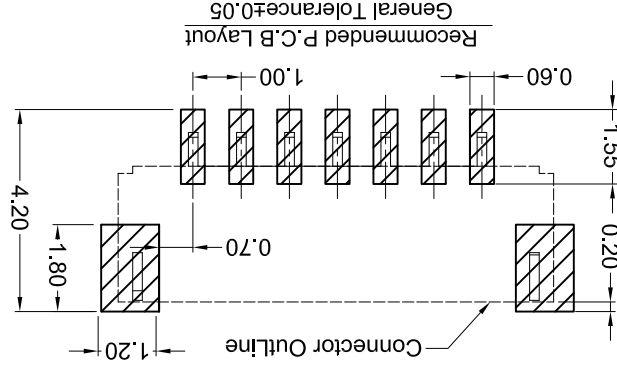
- Specifications :
- Voltage rating: 50V AC / DC
  - Current rating: 1A AC / DC
  - Withstanding voltage: 500V AC/minute
  - Temperature range: -25°C~+85°C
  - Insulation resistance: ≥100MΩ
  - Contact resistance: ≤20mΩ
  - After environmental testing: ≤40mΩ

For and on behalf of  
**XKB INDUSTRIAL PRECISION CO., LIMITED**  
 香港星坤工業精密有限公司

REVISIONS  
 Authorized Signature(s)

MARK	DESCRIPTION	DATE	REVISED	APPROVED	UNSPECIFIED TOLERANCES
△ X					L > 63 ± 0.5
△ X					16 < L ≤ 63 ± 0.4
△ X					4 < L ≤ 16 ± 0.3
△ X					L ≤ 4 ± 0.2
					ANGULAR ± 5°

DATE	SCALE: N/A	MODEL TYPE: X1002WVS-XXE-LPSWXX
DNSD		
DWN		
CHKD		
APPD		
DATE		
VIEW:		
UNIT: mm		
SIZE: A4		
1.00mm Crimp Style Connectors		
DWG NO.:		
REVISION	SHEET	WEIGHT
A0	1/1	1.0g



PART NO	Material	Material (Pin And Solder Tabs)	Finish	Suitable XKB Terminal
X1002WVS-XXE-LPSW	LCP UL 94V-0	Phosphor Bronze	Tin Plating Fog	X1002H
X1002WVS-XXE-LPSWHF	LCP UL 94V-0 Halogen Free			

Poles	Dimensions(mm)		
	A	B	C
02	1.00	4.00	2.50
03	2.00	5.00	3.50
04	3.00	6.00	4.50
05	4.00	7.00	5.50
06	5.00	8.00	6.50
07	6.00	9.00	7.50
08	7.00	10.00	8.50
09	8.00	11.00	9.50
10	9.00	12.00	10.50
Poles	Dimensions(mm)		
	A	B	C
02	10.00	13.00	11.50
03	11.00	14.00	12.50
04	12.00	15.00	13.50
05	13.00	16.00	14.50
06	14.00	17.00	15.50
07	15.00	18.00	16.50
08	16.00	19.00	17.50
09	17.00	20.00	18.50
10	18.00	21.00	19.50

X1002 W V S-XX E-LP SW XX XX

Series No. ①

② Category: W-water

③ Welding Board Angle: V-180°

④ Welding Way: S-SMT

⑤ Row No.-Pin No.: XX-02P~20P

⑥ Plug the Pin & Special NO.: E-Ear clip

⑦ Material: LP-LCP 94V-0

⑧ Plating Category: SW-Matte Tin plating (Tin: 70u Min)

⑨ Color: Blank-Natural color

⑩ HF-Halogen Free ; Blank-Halogen

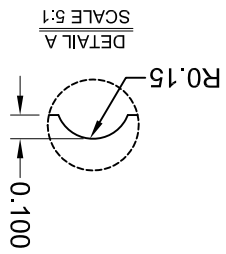
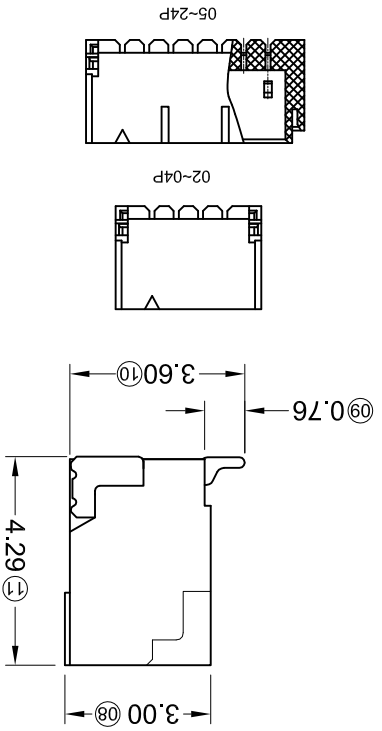
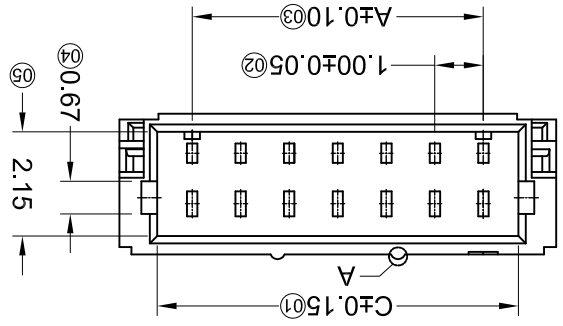
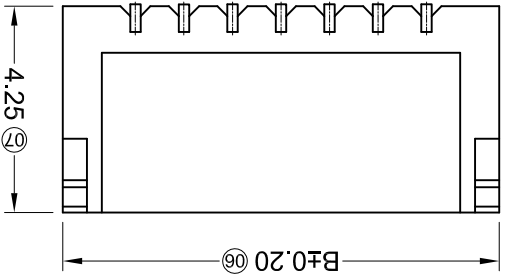
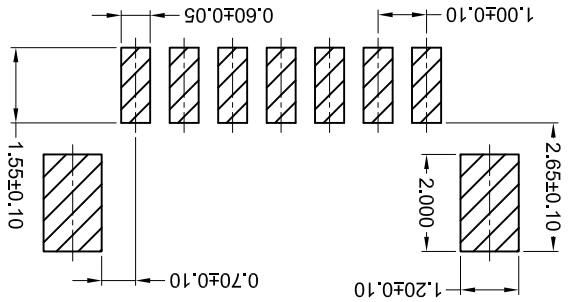
Specifications :

- Voltage rating: 50V AC / DC
- Current rating: 1A AC / DC
- Withstanding voltage: 500V AC/minute
- Temperature range: -25°C~+85°C
- Insulation resistance: ≥100MΩ
- Contact resistance: ≤20mΩ
- After environmental testing: ≤40mΩ

For and on behalf of  
**XKB INDUSTRIAL PRECISION CO., LIMITED**  
 香港星坤工業精密有限公司

MARK	DESCRIPTION	DATE	REVISD	APPROVED	UNSPECIFIED TOLERANCES
△ X					L > 63 ± 0.5
△ X					16 < L ≤ 63 ± 0.4
△ X					4 < L ≤ 16 ± 0.3
△ X					L ≤ 4 ± 0.2
					ANGULAR ± 5°

**Recommend PCB Layout**



PART NO	Material(Water And Cap)	Material(Fin And Solder Tabs)	Finish(Fin And Solder Tabs)	Suitable XKB Terminal
X1002WVS-XXHF-LPSN	LCP UL 94V-0 Halogen Free	Phosphor Bronze Or Brass	Tin-Plated	X1002H
X1002WVS-XX-6TSN	Nylon 6T UL 94V-0	Brass		

Poles	Dimensions(mm)			Poles	Dimensions(mm)		
	A	B	C		A	B	C
02	1.00	4.00	2.45	12	11.00	14.00	12.45
03	2.00	5.00	3.45	13	12.00	15.00	13.45
04	3.00	6.00	4.45	14	13.00	16.00	14.45
05	4.00	7.00	5.45	15	14.00	17.00	15.45
06	5.00	8.00	6.45	16	15.00	18.00	16.45
07	6.00	9.00	7.45	17	16.00	19.00	17.45
08	7.00	10.00	8.45	18	17.00	20.00	18.45
09	8.00	11.00	9.45	19	18.00	21.00	19.45
10	9.00	12.00	10.45	20	19.00	22.00	20.45
11	10.00	13.00	11.45	24	23.00	26.00	24.45

**Specifications :**

- Voltage rating: 100V AC / DC
- Current rating: 2A AC / DC
- Withstanding voltage: 800V AC/minute
- Temperature range: -25°C~+85°C
- Insulation resistance: ≥1000MΩ
- Contact resistance: ≤20mΩ
- After environmental testing: ≤30mΩ

X1002 W V S-XX X- XX XXX XX

- ① Series No.
- ② Category: W-water
- ③ Welding Board Angle: V- Straight 180°
- ④ Welding Way: S-SMT
- ⑤ Row No./Pin No.: XX-02P~24P
- ⑥ Plug the Pin & Special No.
- ⑦ Material: 6T-PA6T 94V-0 ; LP-LCP 94V-0;
- ⑧ Planting Category: SN-Bright tin plating
- ⑨ Color: Blank-Natural Color

REVISION	SHEET	WEIGHT	SIZE: A4
A0	1/1	1.0g	

DATE	SCALE: N/A	MODEL TYPE: X1002WVS-XX-XXSN

DATE	VIEW:	PART NO.:

DATE	UNIT: mm	DWG NO.:

DATE	APPD	CHKD	DWN	DSND

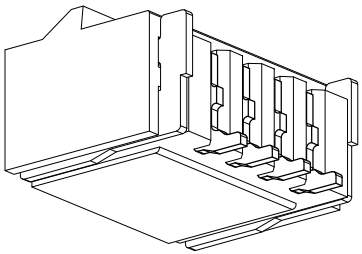
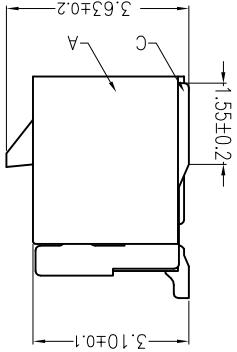
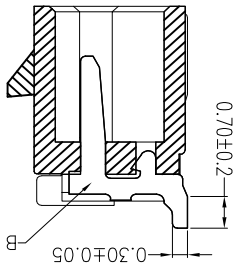
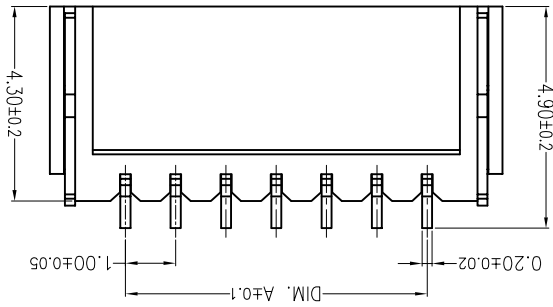
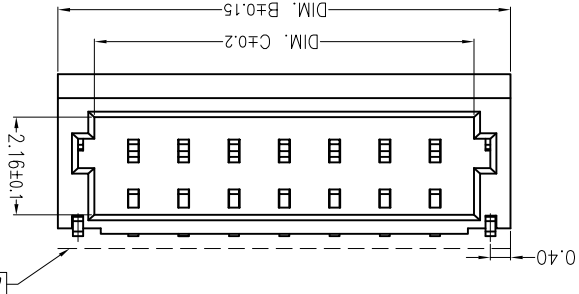
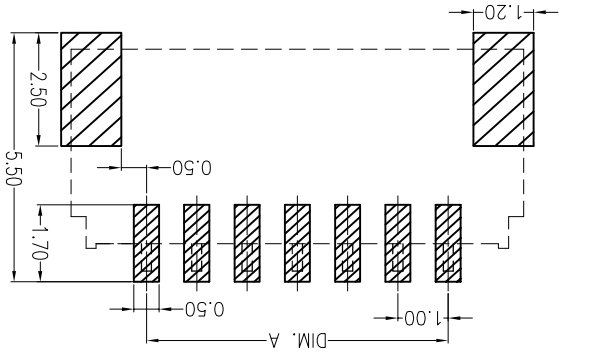
**XKB INDUSTRIAL PRECISION CO., LIMITED**

For and on behalf of  
**KXB INDUSTRIAL PRECISION CO., LIMITED**  
 香港星坤工業精密有限公司

REVISIONS  
 Authorized Signatures(s)

MARK	DESCRIPTION	DATE	REVISED	APPROVED	UNSPECIFIED TOLERANCES
△ X					$\pm 0.5$
△ X					$16 < L \leq 63$
△ X					$4 < L \leq 16$
△ X					$L \leq 4$
					ANGULAR $\pm 5^\circ$

Recommend PCB Layout



PART NO	Material	Material (Pin And Solder Tabs)	Finish (Pin And Solder Tabs)	Suitable XKB Terminal
X1002WRS-XXL-L-PSWHF	PA46 UL 94V-0	Brass	Bright tin plating	X1002HL
X1002WRS-XXL-HF-L-PSW	PA46 UL 94V-0	Brass	Bright tin plating	X1002HL

Poles	Dimensions(mm)		Poles	Dimensions(mm)	
	A	B		C	A
02	1.00	4.00	10	9.00	12.00
03	2.00	5.00	11	10.00	13.00
04	3.00	6.00	12	11.00	14.00
05	4.00	7.00	13	12.00	15.00
06	5.00	8.00	14	13.00	16.00
07	6.00	9.00	15	14.00	17.00
08	7.00	10.00	16	15.00	18.00
09	8.00	11.00	20	19.00	22.00
					20.50

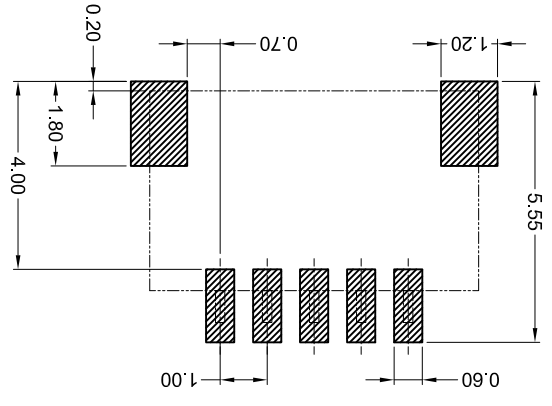
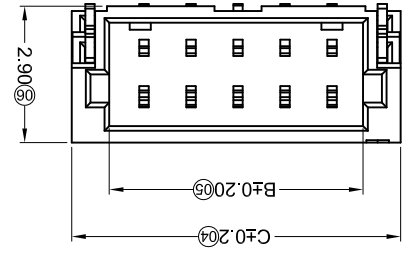
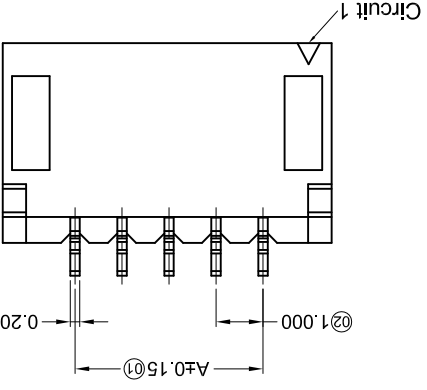
■ Specifications :

- Voltage rating: 50V AC / DC
- Current rating: 1A AC / DC
- Withstanding voltage: 500V AC/minute
- Temperature range: -25°C~+85°C
- Insulation resistance: ≥100MΩ
- Contact resistance: ≤20mΩ
- After environmental testing: ≤40mΩ

X1002 W R S-XX L-L-PXX XX XX  
 ① Series No.  
 ② Category: W-water  
 ③ Welding Board Angle: R-90°  
 ④ Welding Way: S-SMT  
 ⑤ Row No.-Pin No.: XX-02P~20P  
 ⑥ Plug the Pin & Special No.: L-With Lock  
 ⑦ Material: 6T-PA6T 94V-0; LP-LCP 94V-0;  
 ⑧ 9T-PA9T 94V-0  
 ⑨ Planting Category: SW-Matte Tin plating (Tin: 70u Min)  
 ⑩ Color: Blank-natural color  
 ⑪ HF-Halogen Free ; Blank-Halogen

DSND	DATE	SCALE: N/A	MODEL TYPE: X1002WRS-XXL-L-PSWHF
DWN	DATE <td>VIEW: </td> <td>PART NO.: 1.00 mm Crimp Shle Connectors</td>	VIEW:	PART NO.: 1.00 mm Crimp Shle Connectors
CHKD	DATE <td>UNIT: mm</td> <td>DWG NO.:</td>	UNIT: mm	DWG NO.:
APPD	DATE <td>SIZE: A4</td> <td>WEIGHT: 1.0g</td>	SIZE: A4	WEIGHT: 1.0g
			SHEET: 1/1
			REVISION: A0





**KXB INDUSTRIAL PRECISION CO., LIMITED**  
For and on behalf of  
香港星坤工業精密有限公司

MARK	DESCRIPTION	DATE	REVISD	APPROVED	UNSPCIFIED TOLERANCES
△ X					±0.5
△ X					16 < L ≤ 63
△ X					4 < L ≤ 16
△ X					L ≤ 4
					ANGULAR ±5°

REVISIONS  
*Authorized Signatures*

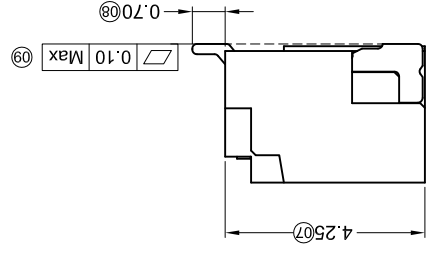
DSND	DATE	SCALE: N/A	MODEL TYPE: X1002WRS-XX-LPSN
CHKD <th>DATE</th> <th>UNIT: mm</th> <th>DWG NO.:</th>	DATE	UNIT: mm	DWG NO.:
APPD <th>DATE</th> <th>SIZE: A4</th> <th>REVISION</th>	DATE	SIZE: A4	REVISION

**KXB INDUSTRIAL PRECISION CO., LIMITED**

WEIGHT	SHEET	REVISION
1.0g	1/1	A0

PART NO	MATERIAL	Solder (Pin and Solder Tabs)	Finish (Pin and Solder Tabs)	Suitable KXB Terminal
X1002WRS-XX-LPSN	LCP UL 94V-0	Phosphor Bronze	Tin-Plated	X-1002H

Poles	Dimensions(mm)	Poles	Dimensions(mm)
02	1.00	2.40	4.00
03	2.00	3.40	5.00
04	3.00	4.40	6.00
05	4.00	5.40	7.00
06	5.00	6.40	8.00
07	6.00	7.40	9.00
08	7.00	8.40	10.00
09	8.00	9.40	11.00
10	9.00	10.40	12.00
11	10.00	11.40	13.00
			14.00
			15.00
			16.00
			17.00
			18.00
			19.00
			20.00
			21.00
			22.00
			23.00
			24.00



**Specifications :**

- Voltage rating: 50V AC / DC
- Current rating: 1A AC / DC
- Withstanding voltage: 500V AC/minute
- Temperature range: -25°C~+85°C
- Insulation resistance: ≥100MΩ
- Contact resistance: ≤20mΩ
- After environmental testing: ≤40mΩ

X1002 W R S-XX X-LP SN XX

① Series No.

② Category: W-water

③ Welding Board Angle: R- Right Angle 90°

④ Welding Way: S-SMT

⑤ Row No.-Pin No.: XX-02P~22P

⑥ Plug the Pin & Special No.:

⑦ Material: LCP-LCP 94V-0

⑧ Plating Category: SN-Bright tin plating

⑨ Color: Blank-Natural Color

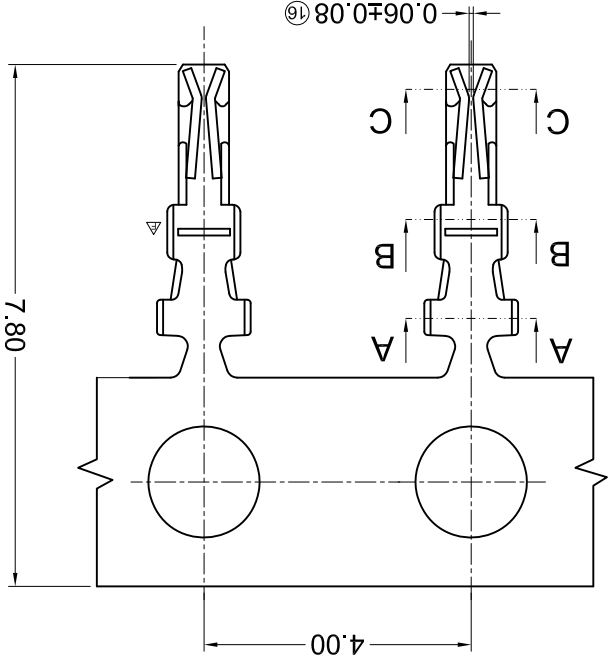
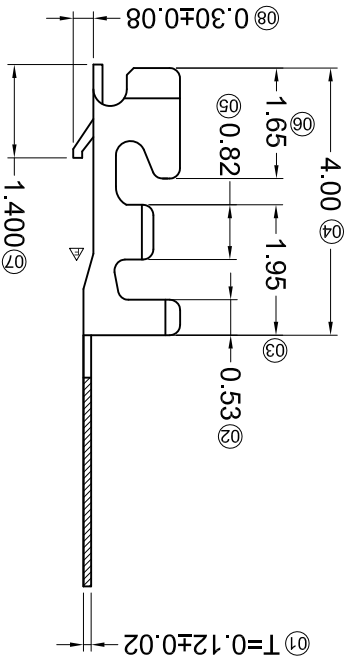
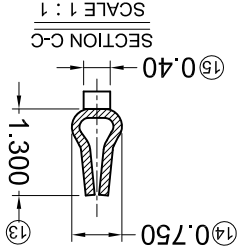
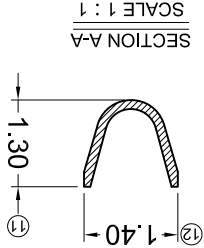
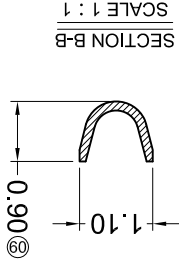
For and on behalf of  
**XKB INDUSTRIAL PRECISION CO., LIMITED**  
 香港星坤工業精密有限公司

REVISIONS  
 Authorized Signatures(s)

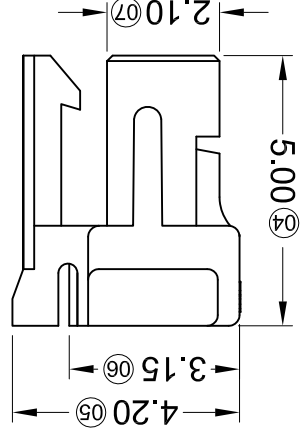
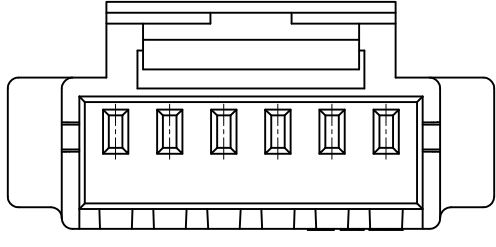
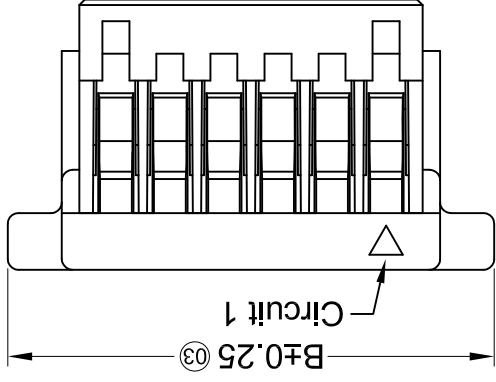
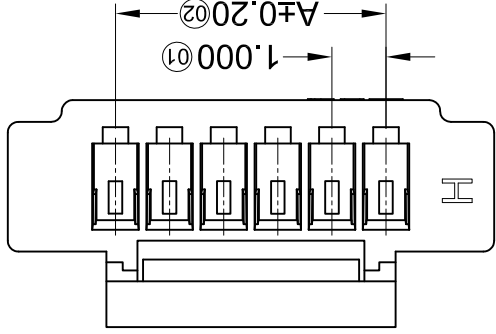
MARK	DESCRIPTION	DATE	REVISED	APPROVED	UNSPECIFIED TOLERANCES
△ X					L > 63 ± 0.5
△ X					16 < L ≤ 63 ± 0.4
△ X					4 < L ≤ 16 ± 0.3
△ X					L ≤ 4 ± 0.2
					ANGULAR ± 5°

<b>DSND</b>	DATE	SCALE: N/A	MODEL TYPE: X1002T-PXX
<b>DWN</b>	DATE	VIEW:	PART NO.:
<b>CHKD</b>	DATE	UNIT: mm	DWG NO.:
<b>APPD</b>	DATE	SIZE: A4	
<b>XKB INDUSTRIAL PRECISION CO., LIMITED</b>			
WEIGHT	SHEET	REVISION	A0
1.0g	1/1		

PART NO	Material	Wire Range	Insulation O.D.	Finish	Suitable XKB Terminal
X1002T-PV03	Phosphor Bronze AWG#26-32 0.80mm(Max)			Stamping Before Plating: 30-50u" Ni; Whole Gold 3u" Min.	
X1002T-PV01				Stamping Before Plating: 30-50u" Ni; Whole Gold 3u" Gold Flash	
X1002T-PSN2				Stamping Before Plating: 50u" Min. Ni; 120u" Sn Min.	
X1002T-PSN				Stamping Before Plating: 30-50u" Ni; 70-120u" Sn	



- Specifications :**
- Voltage rating: 50V AC / DC
  - Current rating: 1A AC / DC
  - Withstanding voltage: 500V AC/minute
  - Temperature range: -25°C~+85°C
  - Insulation resistance: ≥100MΩ
  - Contact resistance: ≤20mΩ
  - After environmental testing: ≤40mΩ
- ① Series Number  
 X1002 T X-P XX X-X
- ② Category: T-terminal  
 ③ Shape: Blank-ordinary  
 ④ Material: P-Phosphor bronze  
 ⑤ Plating style:  
 V\*-All Gold-Plated ; \*01-Gold Flash ; \*03-3u"  
 SN-Bright tin plating 70-120u"  
 SN2-Bright tin plating 120u"Min. Ni ; 50u" Min.  
 ⑥ Plating method:  
 Blank-Stamping before plating  
 B-Plating before stamping  
 ⑦ Mold No./Mark/Special No.



For and on behalf of  
**XKB INDUSTRIAL PRECISION CO., LIMITED**  
 香港星坤工業精密有限公司

REVISIONS  
 Authorized Signature(s)

MARK	DESCRIPTION	DATE	REVISED	APPROVED	UNSPECIFIED TOLERANCES
△ X					L > 63 ±0.5
△ X					16 < L ≤ 63 ±0.4
△ X					4 < L ≤ 16 ±0.3
△ X					L ≤ 4 ±0.2
					ANGULAR ±5°

DSND	DATE	SCALE: N/A	MODEL TYPE: X1002H-XXL-N0XX
CHKD	DATE <td>UNIT: mm</td> <td>DWG NO.:</td>	UNIT: mm	DWG NO.:
APPD	DATE <td>SIZE: A4</td> <td>REVISION</td>	SIZE: A4	REVISION
			WEIGHT 1.0g
			SHEET 1/1
			REVISION A0

PART NO	Material	Suitable XKB Terminal
X1002H-XXL-N0XX	PA66 UL 94V-0	X1002T
X1002W-L		Suitable XKB Terminal

Poles	Dimensions(mm)		Poles	Dimensions(mm)
	A	B		
02	1.00	5.00	12	11.00
03	2.00	6.00	13	12.00
04	3.00	7.00	14	13.00
05	4.00	8.00	15	14.00
06	5.00	9.00	16	15.00
07	6.00	10.00	17	16.00
08	7.00	11.00	18	17.00
09	8.00	12.00	19	18.00
10	9.00	13.00	20	19.00
11	10.00	14.00		23.00

① Series No. X1002 H X-XX L-N0 XX  
 ② Category: H-HSG  
 ③ Welding Board Angle: Blank-ordinary  
 ④ Row No.-Pin No.: XX-02P~12P  
 ⑤ Plug the Pin & special No.: L-With Lock  
 ⑥ Material: N0-PA66 94V-0  
 ⑦ Color: Blank-Natural color ; BK-Black

- Specifications :
- Voltage rating: 50V AC / DC
  - Current rating: 1A AC / DC
  - Withstanding voltage: 500V AC/minute
  - Temperature range: -25°C~+85°C
  - Insulation resistance: ≥100MΩ
  - Contact resistance: ≤20mΩ
  - After environmental testing: ≤40mΩ

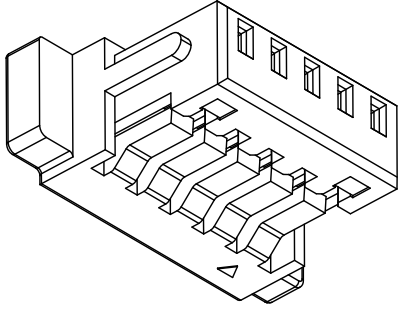
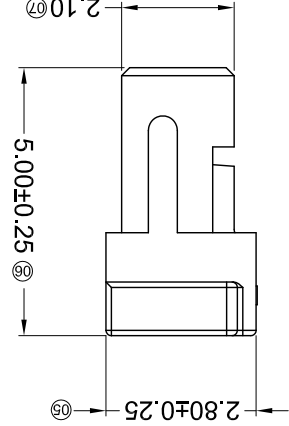
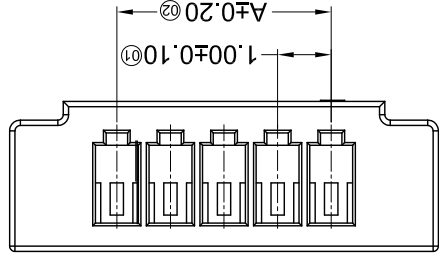
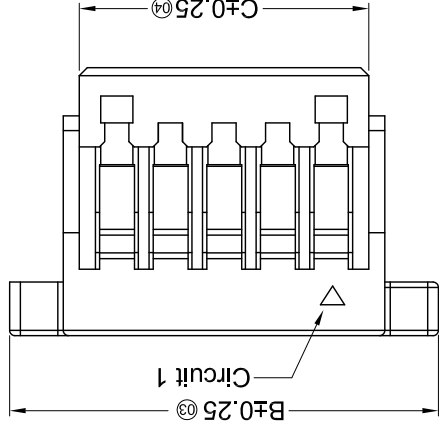
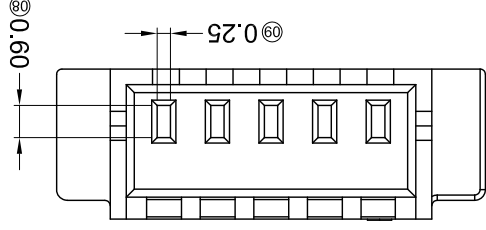


For and on behalf of  
**KXB INDUSTRIAL PRECISION CO., LIMITED**  
 香港星坤工業精密有限公司

REVISIONS  
 Authorized Signatures(s)

MARK	DESCRIPTION	DATE	REVISED	APPROVED	UNSPECIFIED TOLERANCES
△ X					L > 63 ± 0.5
△ X					16 < L ≤ 63 ± 0.4
△ X					4 < L ≤ 16 ± 0.3
△ X					L ≤ 4 ± 0.2
					ANGULAR ± 5°

DATE	DATE	DATE	DATE	DATE	DATE	REVISION	WEIGHT	SHEET	REVISION
DSND	DWN	CHKD	APPD				1.0g	1/1	A0
SCALE: N/A	VIEW:	UNIT: mm	SIZE: A4						
MODEL TYPE: X1002H-XXE-XXHF	PART NO.:	1.00 mm Crimp Style Connectors		DWG NO.:					



PART NO	Material	Suitable XKB Terminal	Suitable XKB Terminal
X1002H-XXE-PT	PBT UL 94V-0		Suitable XKB Terminal
X1002H-XXE-N0	PA66 UL 94V-0		
X1002H-XXE-N0HF	Halogen Free PA66 UL 94V-0		
X1002H-XXE-PGN0HF	Halogen Free P-640PG3G-NC(15%GF)	X1002T	X1002W

Poles	Dimensions(mm)		
	A	B	C
02	1.00	5.00	2.40
03	2.00	6.00	3.40
04	3.00	7.00	4.40
05	4.00	8.00	5.40
06	5.00	9.00	6.40
07	6.00	10.00	7.40
08	7.00	11.00	8.40
09	8.00	12.00	9.40
10	9.00	13.00	10.40
11	10.00	14.00	11.40
12	11.00	15.00	12.40

- ① Series No.  
 ② Category: H-HSG  
 ③ Welding Board Angle: Blank-ordinary  
 ④ Row No.-Pin No.: XX-02P-24P  
 ⑤ Plug the Pin & special No.: E-Have ears  
 ⑥ Material: PT-PBT; N0-PA66 94V-0  
 PGN0-P-640PG3G-NC(15%GF)  
 ⑦ Color: Blank-natural color  
 ⑧ HF- Halogen Free; Blank- Halogen
- X1002 H X-XX E-XX XX XX  
 ① ② ③ ④ ⑤ ⑥ ⑦ ⑧

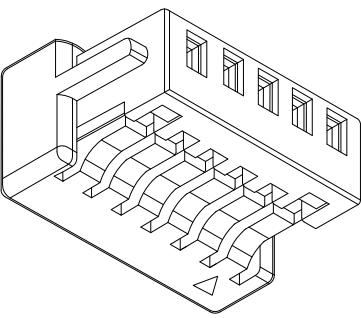
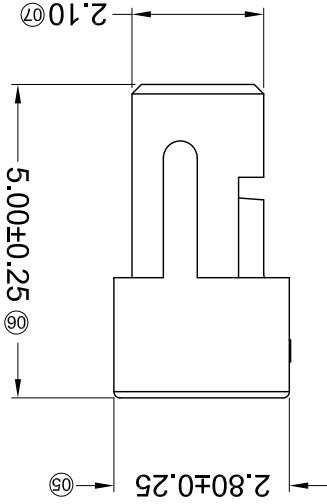
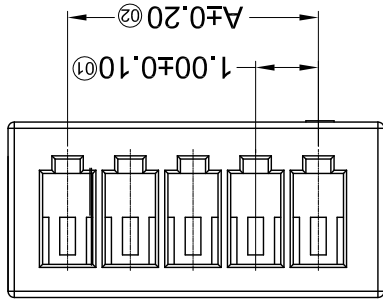
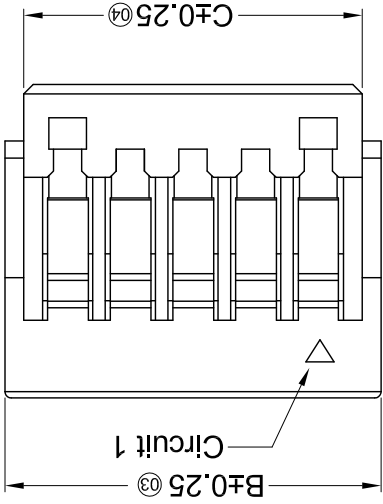
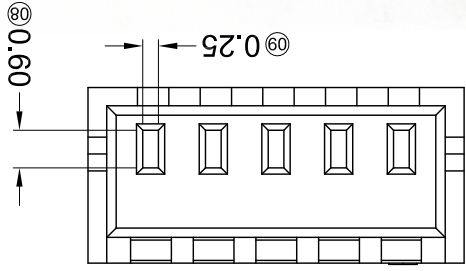
- Specifications :
- Voltage rating: 50V AC / DC
  - Current rating: 1A AC / DC
  - Withstanding voltage: 500V AC/minute
  - Temperature range: -25°C~+85°C
  - Insulation resistance: ≥100MΩ
  - Contact resistance: ≤20mΩ
  - After environmental testing: ≤40mΩ

For and on behalf of  
**XKB INDUSTRIAL PRECISION CO., LIMITED**  
 香港星洲工業精密有限公司

REVISIONS  
 Authorized Signatures(s)

MARK	DESCRIPTION	DATE	REVISED	APPROVED	UNSPECIFIED TOLERANCES
△ X					L > 63
△ X					16 < L ≤ 63
△ X					4 < L ≤ 16
					L ≤ 4
					ANGULAR
					± 5°

REVISION	SHEET	WEIGHT	1/1	1.0g	8
<b>XKB INDUSTRIAL PRECISION CO., LIMITED</b>					7
APPD	DATE	DATE	DATE	DATE	DATE
CHKD	DATE	DATE	DATE	DATE	DATE
DWN	DATE	DATE	DATE	DATE	DATE
DSND	DATE	DATE	DATE	DATE	DATE
MODEL TYPE: X1002H-XX-XXHF SCALE: N/A		VIEW:	UNIT: mm	SIZE: A4	
PART NO.:		DWG NO.:			
X1002H-XX-XXHF		1.00 mm Crimp Style Connectors			



PART NO	Material	Suitable XKB Terminal	Suitable XKB Terminal
X1002H-XX-PT	PBT UL 94V-0		Suitable XKB Terminal
X1002H-XX-N0	PA66 UL 94V-0		
X1002H-XX-N0HF	PA66 UL 94V-0 Halogen Free		

Poles	Dimensions(mm)			Poles	Dimensions(mm)		
	A	B	C		A	B	C
02	1.00	3.00	2.40	13	12.00	14.00	13.40
03	2.00	4.00	3.40	14	13.00	15.00	14.40
04	3.00	5.00	4.40	15	14.00	16.00	15.40
05	4.00	6.00	5.40	16	15.00	17.00	16.40
06	5.00	7.00	6.40	17	16.00	18.00	17.40
07	6.00	8.00	7.40	18	17.00	19.00	18.40
08	7.00	9.00	8.40	19	18.00	20.00	19.40
09	8.00	10.00	9.40	20	19.00	21.00	20.40
10	9.00	11.00	10.40	22	21.00	23.00	22.40
11	10.00	12.00	11.40	24	23.00	25.00	24.40
12	11.00	13.00	12.40				

- X1002 H X-XX X-XX XX XX
- ① Series No.
  - ② Category: H-HSG
  - ③ Welding Board Angle: Blank-ordinary
  - ④ Row No.-Pin No.: XX-02P~24P
  - ⑤ Plug the Pin & special No.
  - ⑥ Material: PT-PBT N0-PA66 94V-0
  - ⑦ Color: Blank-natural color
  - ⑧ HF-Halogen Free ; Blank- Halogen

- Specifications :
- Voltage rating: 50V AC / DC
  - Current rating: 1A AC / DC
  - Withstanding voltage: 500V AC/minute
  - Temperature range: -25°C~+85°C
  - Insulation resistance: ≥100MΩ
  - Contact resistance: ≤20mΩ
  - After environmental testing: ≤40mΩ

## X-ON Electronics

Largest Supplier of Electrical and Electronic Components

*Click to view similar products for [Headers & Wire Housings](#) category:*

*Click to view products by [XKB](#) manufacturer:*

Other Similar products are found below :

[95000-104TRLF](#) [10135584-644402LF](#) [DF62W-EP2022PCA](#) [95000-106TRLF](#) [DF62W-2022SCA](#) [DF62W-EP2022PC](#) [2203348](#) [DF62W-2022SC](#) [1084018](#) [1029039](#) [1084017](#) [802-10-012-10-002000](#) [1112640](#) [1112639](#) [891-007-9SS-BST1T](#) [000-34000](#) [0008550134](#) [0009482033](#) [0009507031](#) [57102-F02-18ULF](#) [57102-S06-03LF](#) [57202-S52-04LF](#) [PCN6-15S-2.5E](#) [0039019024](#) [58102-G61-06LF](#) [582553-1](#) [0009485154](#) [0009508121](#) [0022285053](#) [0050291907](#) [018731A](#) [LY20-4P-DT1-P1E-BR](#) [02.125.8002.8](#) [60101931](#) [60598-1 \(Cut Strip\)](#) [M1625-3R/100](#) [61062-3](#) [61082-181009](#) [CSU011177004](#) [636-1427](#) [638009-1](#) [641938-9](#) [641991-4](#) [644168-1](#) [644827-2](#) [647662-1](#) [65039-019ELF](#) [65692-001LF](#) [65781-018](#) [65781-047](#)