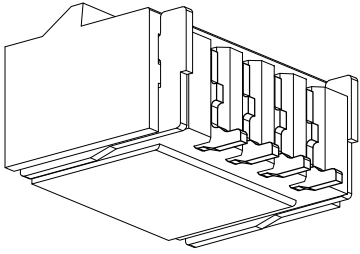
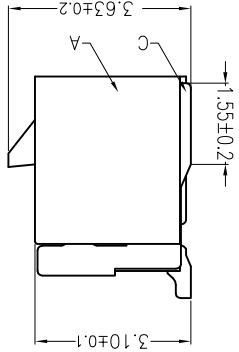
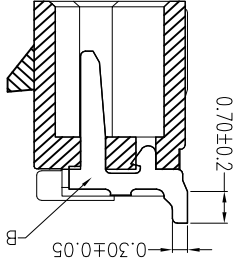
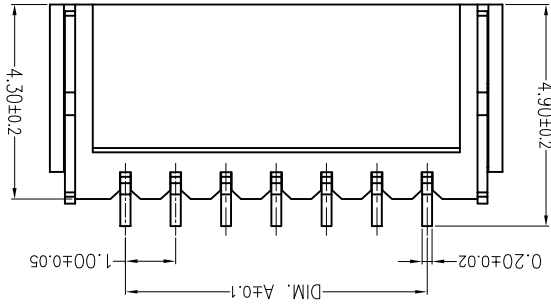
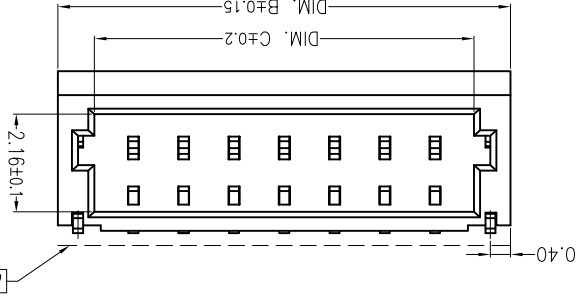
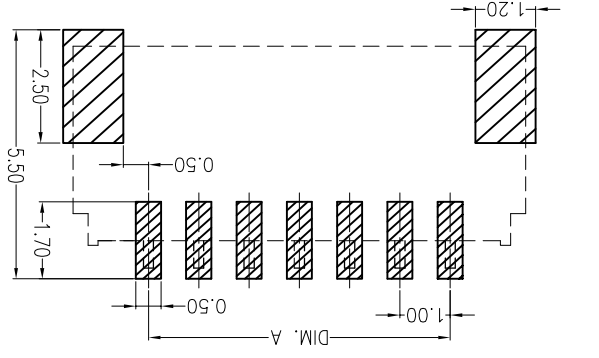


For and on behalf of
KXB INDUSTRIAL PRECISION CO., LIMITED
 香港星坤工業精密有限公司

Recommend PCB Layout



PART NO	Material	Solder Tab(s)	Finish(Pin And Solder Tabs)	Suitable XKB Terminal
X1002WRS-XXL-HF-LPSN	PA46 UL 94V-0	Brass	Bright tin plating	X 1002H-L

Poles	Dimensions(mm)		Poles	Dimensions(mm)	
	A	B		A	B
02	1.00	4.00	10	9.00	12.00
03	2.00	5.00	11	10.00	13.00
04	3.00	6.00	12	11.00	14.00
05	4.00	7.00	13	12.00	15.00
06	5.00	8.00	14	13.00	16.00
07	6.00	9.00	15	14.00	17.00
08	7.00	10.00	16	15.00	18.00
09	8.00	11.00	20	19.00	22.00
					20.50

Series No. ①
 X1002 W R S-XX L-LPXX XX ② ③ ④ ⑤ ⑥ ⑦ ⑧ ⑨

- Voltage rating: 50V AC / DC
 - Current rating: 1A AC / DC
 - Withstanding voltage: 500V AC/minute
 - Temperature range: -25°C~+85°C
 - Insulation resistance: ≥100MΩ
 - Contact resistance: ≤20mΩ
 - After environmental testing: ≤40mΩ
- ① Series No.
 ② Category: W-water
 ③ Welding Board Angle: R-90°
 ④ Welding Way: S-SMT
 ⑤ Row No.-Pin No.: XX-02P~20P
 ⑥ Plug the Pin & Special No.: L-With Lock
 ⑦ Material: 6T-PA6T 94V-0; LP-LCP 94V-0;
 ⑧ 9T-PA9T 94V-0
 ⑨ Planting Category: SN-Bright Tin plating
 ⑩ Color: Blank-natural color

MARK	DESCRIPTION	DATE	REVISION	APPROVED	UNSPECIFIED TOLERANCES
△ X					± 0.5
△ X					16 < L ≤ 63
△ X					4 < L ≤ 16
△ X					L ≤ 4
					ANGULAR ± 5°

DSND	DATE	SCALE: N/A	MODEL TYPE: X1002WRS-XXL-HF-LPSN
DWN	DATE	VIEW:	PART NO.:
CHKD	DATE	UNIT: mm	DWG NO.:
APPD	DATE	SIZE: A4	
KXB INDUSTRIAL PRECISION CO., LIMITED			
WEIGHT	SHEET	REVISION	
1.0g	1/1	A0	

X-ON Electronics

Largest Supplier of Electrical and Electronic Components

Click to view similar products for [Headers & Wire Housings](#) category:

Click to view products by [XKB](#) manufacturer:

Other Similar products are found below :

[95000-104TRLF](#) [10135584-644402LF](#) [DF62W-EP2022PCA](#) [95000-106TRLF](#) [DF62W-2022SCA](#) [DF62W-EP2022PC](#) [2203348](#) [DF62W-2022SC](#) [1084018](#) [1029039](#) [1084017](#) [802-10-012-10-002000](#) [1112640](#) [1112639](#) [891-007-9SS-BST1T](#) [000-34000](#) [0008550134](#) [0009482033](#) [0009507031](#) [57102-F02-18ULF](#) [57102-S06-03LF](#) [57202-S52-04LF](#) [PCN6-15S-2.5E](#) [0039019024](#) [58102-G61-06LF](#) [582553-1](#) [0009485154](#) [0009508121](#) [0022285053](#) [0050291907](#) [018731A](#) [LY20-4P-DT1-P1E-BR](#) [02.125.8002.8](#) [60101931](#) [60598-1 \(Cut Strip\)](#) [M1625-3R/100](#) [61062-3](#) [61082-181009](#) [CSU011177004](#) [636-1427](#) [638009-1](#) [641938-9](#) [641991-4](#) [644168-1](#) [644827-2](#) [647662-1](#) [65039-019ELF](#) [65692-001LF](#) [65781-018](#) [65781-047](#)