

Recommended P.C.B Layout
General Tolerance±0.05

Specifications :

- Voltage rating: 125V AC / DC
- Current rating: 1A AC / DC
- Withstanding voltage: 500V AC/minute
- Temperature range: -25°C~+85°C
- Insulation resistance: ≥100MΩ
- Contact resistance: ≤20mΩ
- After environmental testing: ≤40mΩ

X1002 W V S-XX B-XX XX XX

(1) (2) (3) (4) (5) (6) (7) (8) (9)

- (1) Series No.
- (2) Category: W-wafer
- (3) Welding Board Angle: V-Stright Angle 180°
- (4) Welding Way: S-SMT
- (5) Row No.-Pin No.: XX-02P~20P
- (6) Plug the Pin & Special NO:
B-With ultra-thin and With Lock;
HF-Halgen Free
- (7) Material: 9T-PA9T ; HT-HTN 6T ; 1T-PA10T
- (8) Planting Category:
SN-Bright tin plating 70"Min. ;30" Ni
SW-Matte Tin plating 70"Min. ;30" Ni
- (9) Color: Blank-Natural color

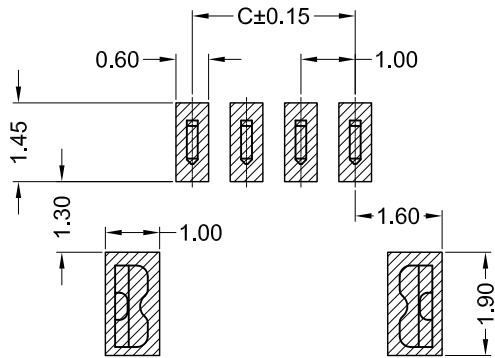
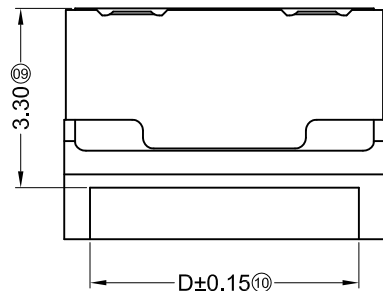
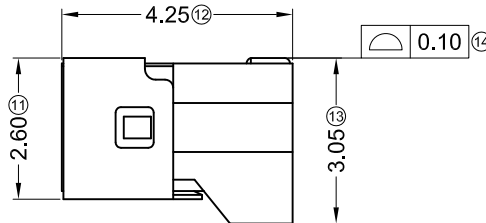
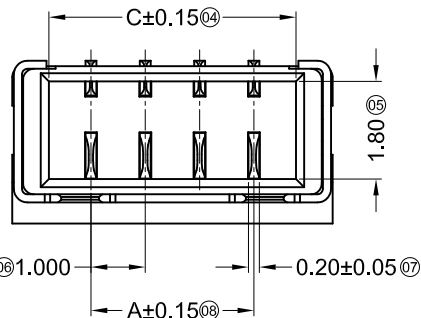
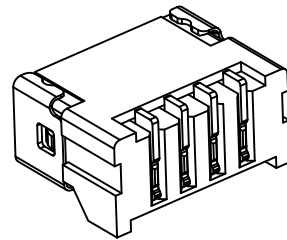
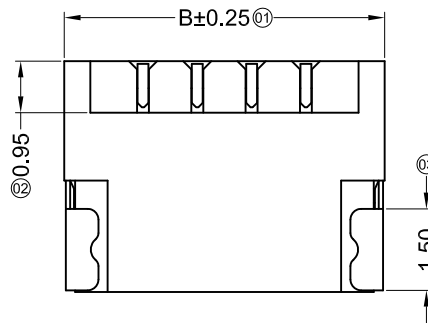
| Poles | Dimensions(mm) | | | Poles | Dimensions(mm) | | |
|-------|----------------|-------|-------|-------|----------------|-------|-------|
| | A | B | C | | A | B | C |
| 02 | 1.00 | 3.70 | 2.50 | 12 | 11.00 | 13.70 | 12.50 |
| 03 | 2.00 | 4.70 | 3.50 | 13 | 12.00 | 14.70 | 13.50 |
| 04 | 3.00 | 5.70 | 4.50 | 14 | 13.00 | 15.70 | 14.50 |
| 05 | 4.00 | 6.70 | 5.50 | 15 | 14.00 | 16.70 | 15.50 |
| 06 | 5.00 | 7.70 | 6.50 | 16 | 15.00 | 17.70 | 16.50 |
| 07 | 6.00 | 8.70 | 7.50 | 17 | 16.00 | 18.70 | 17.50 |
| 08 | 7.00 | 9.70 | 8.50 | 18 | 17.00 | 19.70 | 18.50 |
| 09 | 8.00 | 10.70 | 9.50 | 19 | 18.00 | 20.70 | 19.50 |
| 10 | 9.00 | 11.70 | 10.50 | 20 | 19.00 | 21.70 | 20.50 |
| 11 | 10.00 | 12.70 | 11.50 | | | | |

| | | | | |
|--------------------|-----------------------------|-----------------------------------|---------------------------------|-----------------------|
| X1002WVS-XXBF-9TSW | PA9T UL 94V-0 | Phorphos Brone | Matte Tin Plating | 1002H-B |
| X1002WVS-XXB-1TSW | PA10T UL 94V-0 | | | |
| X1002WVS-XXB-HTSW | HTN PA6T UL 94V-0 | | Tin-Plated | |
| X1002WVS-XXB-9TSW | PA 9T UL 94V-0 | | | |
| X1002WVS-XXB-9TSN | PA 9T UL 94V-0 | | | |
| PART NO | Material (Wafer And Cap) | Material (Pin And Solder Tabs) | Finish (Pin And Solder Tabs) | Suitable XKB Terminal |

For and on behalf of
XKB INDUSTRIAL PRECISION CO., LIMITED
香港星坤工業精密有限公司

| | | | | | | |
|-------------------------|--|--|--|---------------------------------------|-------------|-------|
| △ X | | | | | ANGULAR | ± 5° |
| △ X | | | | | L ≤ 4 | ± 0.2 |
| △ X | | | | | 4 < L ≤ 16 | ± 0.3 |
| △ X | | | | | 16 < L ≤ 63 | ± 0.4 |
| MARK | | | | | L > 63 | ± 0.5 |
| REVISIONS | | | | UNSPECIFIED TOLERANCES | | |
| Authorized Signature(s) | | | | XKB INDUSTRIAL PRECISION CO., LIMITED | | |

| | | | | | |
|------|--|------|--|------------|----------------------------------|
| DSND | | DATE | | SCALE: N/A | MODEL TYPE: X1002WVS-XXB-XXXX |
| DWN | | DATE | | VIEW: | PART NO.: |
| CHKD | | DATE | | UNIT: mm | 1.00 mm Crimp Style Connectors |
| APPD | | DATE | | SIZE: A4 | DWG NO.: |
| | | | | WEIGHT | SHEET |
| | | | | 1.0g | 1/1 |
| | | | | | REVISION |
| | | | | | A0 |



Recommended P.C.B Layout
General Tolerance±0.05

■ Specifications :

- Voltage rating: 125V AC / DC
- Current rating: 1A AC / DC
- Withstanding voltage: 500V AC/minute
- Temperature range: -25°C~+85°C
- Insulation resistance: ≥100MΩ
- Contact resistance: ≤20mΩ
- After environmental testing: ≤40mΩ

X1002 W R S-XX BS-LP SW XX

- ① Series No.
- ② Category: W-wafer
- ③ Welding Board Angle: R- Right Angle 90°
- ④ Welding Way: S-SMT
- ⑤ Row No.-Pin No.: XX-Single Row
- ⑥ Plug the Pin & Special NO:
B-With ultra-thin and With Lock;
S-With Shell
- ⑦ Material: LP-LCP 94V-0
- ⑧ Planting Category:SW-Matte Tin plating
- ⑨ Color: Blank-Natural color

| Poles | Dimensions (mm) | | | |
|-------|-----------------|-------|-------|-------|
| | A | B | C | D |
| 03 | 2.00 | 4.90 | 3.50 | 3.95 |
| 04 | 3.00 | 5.90 | 4.50 | 4.95 |
| 06 | 5.00 | 7.90 | 6.50 | 6.95 |
| 12 | 11.00 | 13.90 | 12.50 | 12.95 |

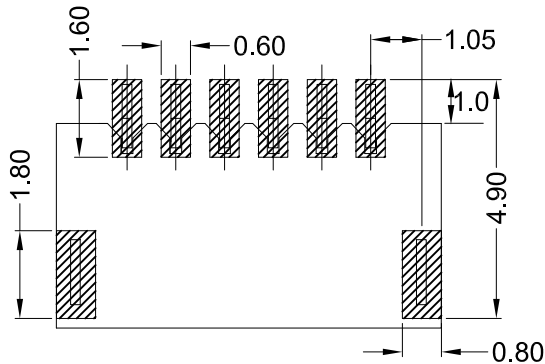
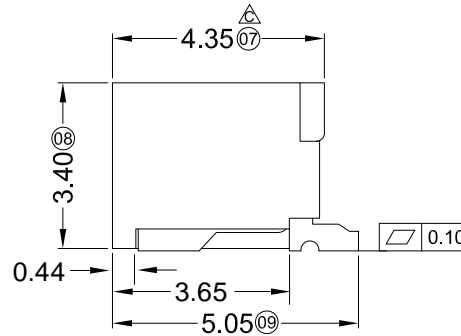
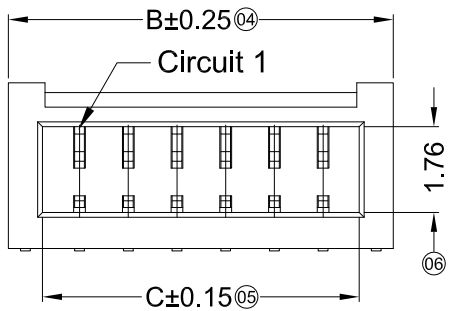
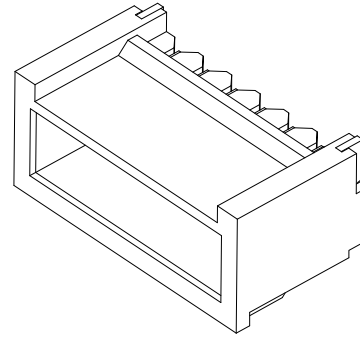
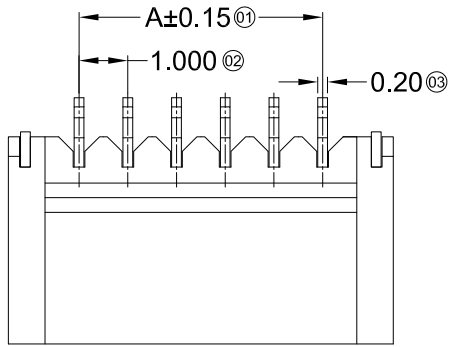
| | | | | | | |
|--------------------|-----------------|-----------------|---------------|-----------------|----------------|--------------|
| X1002WRS-XXBS-LPSW | LCP 94V-0 | Phosphor Bronze | Matte Plating | Alloy Steel | Nickel Plating | 1002H-B |
| PART NO | Material(Wafer) | Material(Pin) | Finish(Pin) | Material(Shell) | Finish(Shell) | Suitable XKB |

For and on behalf of
XKB INDUSTRIAL PRECISION CO., LIMITED
香港星坤工業精密有限公司

| | | | | | | |
|------|-------------|------|---------|----------|------------------------|------|
| △ X | | | | | ANGULAR | ±5° |
| △ X | | | | | L ≤ 4 | ±0.2 |
| △ X | | | | | 4 < L ≤ 16 | ±0.3 |
| MARK | DESCRIPTION | DATE | REVISED | APPROVED | 16 < L ≤ 63 | ±0.4 |
| | | | | | L > 63 | ±0.5 |
| | REVISIONS | | | | UNSPECIFIED TOLERANCES | |

| | | | | | | | |
|------|--|------|--|------------|-----------------------------------|-------|----------|
| DSND | | DATE | | SCALE: N/A | MODEL TYPE: X1002WRS-XXBS-LPSW | | |
| DWN | | DATE | | VIEW: | PART NO.: | | |
| CHKD | | DATE | | UNIT: mm | 1.00 mm Crimp Style Connectors | | |
| APPD | | DATE | | SIZE: A4 | DWG NO.: | | |
| | | | | | WEIGHT | SHEET | REVISION |
| | | | | | 1.0g | 1/1 | A0 |

XKB INDUSTRIAL PRECISION CO., LIMITED



Recommended P.C.B Layout
General Tolerance±0.05

■ Specifications :

- Voltage rating: 125V AC / DC
- Current rating: 1A AC / DC
- Withstanding voltage: 500V AC/minute
- Temperature range: -25°C~+85°C
- Insulation resistance: ≥100MΩ
- Contact resistance: ≤20mΩ
- After environmental testing: ≤40mΩ

X1002 W R S-XX B HF-XX XX XX

① ② ③ ④ ⑤ ⑥ ⑦ ⑧ ⑨ ⑩

- ① Series No.
- ② Category: W-wafer
- ③ Welding Board Angle: R- Right Angle 90°
- ④ Welding Way: S-SMT
- ⑤ Row No.-Pin No.: XX-02P~20P
- ⑥ Plug the Pin & Special NO.: B-Ultra-thin With Lock
- ⑦ HF-Halogen Free
- ⑧ Material: 9T-PA9T; 1T-PA10T; HT-HTN 6T 94V-0
- ⑨ Planting Category:
SN-Bright tin plating 70" Min. ;30" Ni Min.
SW-Matte Tin plating 70" Min. ;30" Ni Min.
- ⑩ Color: Blank-Natural color

| Poles | Dimensions (mm) | | | Poles | Dimensions (mm) | | |
|-------|-----------------|-------|-------|-------|-----------------|-------|-------|
| | A | B | C | | A | B | C |
| 02 | 1.00 | 3.90 | 2.50 | 12 | 11.00 | 13.90 | 12.50 |
| 03 | 2.00 | 4.90 | 3.50 | 13 | 12.00 | 14.90 | 13.50 |
| 04 | 3.00 | 5.90 | 4.50 | 14 | 13.00 | 15.90 | 14.50 |
| 05 | 4.00 | 6.90 | 5.50 | 15 | 14.00 | 16.90 | 15.50 |
| 06 | 5.00 | 7.90 | 6.50 | 16 | 15.00 | 17.90 | 16.50 |
| 07 | 6.00 | 8.90 | 7.50 | 17 | 16.00 | 18.90 | 17.50 |
| 08 | 7.00 | 9.90 | 8.50 | 18 | 17.00 | 19.90 | 18.50 |
| 09 | 8.00 | 10.90 | 9.50 | 19 | 18.00 | 20.90 | 19.50 |
| 10 | 9.00 | 11.90 | 10.50 | 20 | 19.00 | 21.90 | 20.50 |
| 11 | 10.00 | 12.90 | 11.50 | | | | |

| PART NO | Material | Material (Pln And Solder Tabs) | Finish (Pln And Solder Tabs) |
|---------------------|------------------------------|--------------------------------|------------------------------|
| X1002WRS-XXBHF-9TSW | PA9T UL 94V-0 (Halogen Free) | Phorpos Bronze | Matte Tin Plating |
| X1002WRS-XXB-1TSW | PA 10T UL 94V-0 | | |
| X1002WRS-XXB-HTSW | HTN 6T UL 94V-0 | | |
| X1002WRS-XXB-9TSW | PA9T UL 94V-0 | | |
| X1002WRS-XXB-9TSN | PA 9T UL 94V-0 | | Tin-Plated |

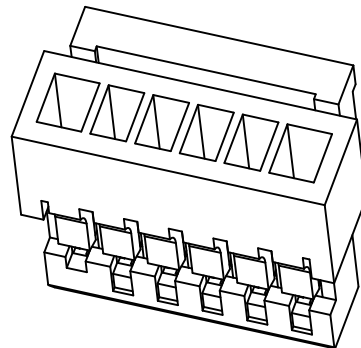
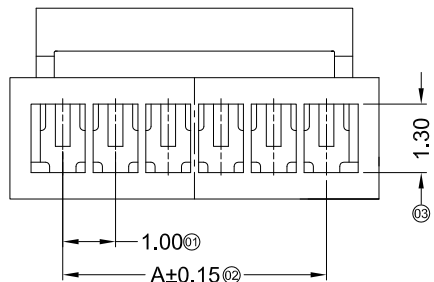
For and on behalf of
XKB INDUSTRIAL PRECISION CO., LIMITED
香港星坤工業精密有限公司

| MARK | DESCRIPTION | DATE | REVISED | APPROVED | UNSPECIFIED TOLERANCES |
|------|-------------|------|---------|----------|------------------------|
| △ X | | | | | ANGULAR ±5° |
| △ X | | | | | L ≤ 4 ±0.2 |
| △ X | | | | | 4 < L ≤ 16 ±0.3 |
| | | | | | 16 < L ≤ 63 ±0.4 |
| | | | | | L > 63 ±0.5 |

| DSND | DATE | SCALE: N/A | MODEL TYPE: X1002WRS-XXB-XXSW |
|------|------|------------|--------------------------------|
| DWN | DATE | VIEW: | PART NO.: |
| CHKD | DATE | UNIT: mm | 1.00 mm Crimp Style Connectors |
| APPD | DATE | SIZE: A4 | DWG NO.: |
| | | | WEIGHT 1.0g |
| | | | SHEET 1/1 |
| | | | REVISION A0 |

REVISIONS
Authorized Signature(s)

XKB INDUSTRIAL PRECISION CO., LIMITED



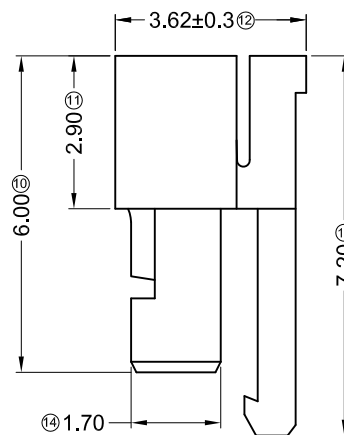
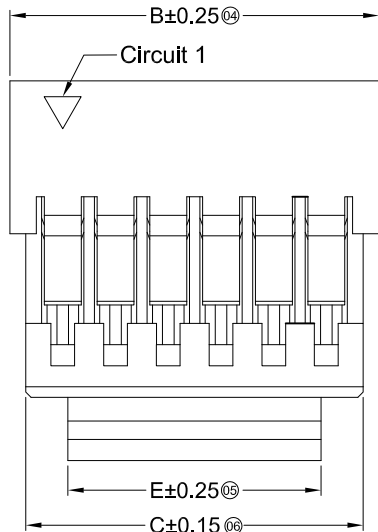
Specifications :

- Voltage rating: 125 AC / DC
- Current rating: 1A AC / DC
- Withstanding voltage: 500V AC/minute
- Temperature range: -25°C~+85°C
- Insulation resistance: ≥100MΩ
- Contact resistance: ≤20mΩ
- After environmental testing: ≤40mΩ

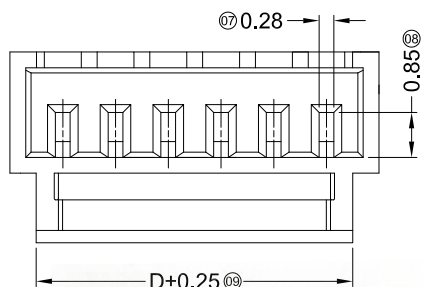
X1002 H -XX B4-N0 XX HF

(1) (2) (3) (4) (5) (6) (7)

- (1) Series No.
- (2) Category: H-HSG
- (3) Row No.-Pin No.: XX-02P~20P
- (4) Plug the Pin & special No.:
B4-Ultra-thin hook, 6.00mm
- (5) Material: N0-PA66 94V-0
- (6) Color: Blank-Natural Color
- (7) HF-Halogen Free



| Poles | Dimensions(mm) | | | | |
|-------|----------------|-------|-------|------|------|
| | A | B | C | D | E |
| 06 | 5.00 | 7.00 | 6.40 | 6.00 | 4.80 |
| 07 | 6.00 | 8.00 | 7.40 | 6.00 | 4.80 |
| 08 | 7.00 | 9.00 | 8.40 | 6.00 | 4.80 |
| 09 | 8.00 | 10.00 | 9.40 | 6.00 | 4.80 |
| 10 | 9.00 | 11.00 | 10.40 | 6.00 | 4.80 |
| 11 | 10.00 | 12.00 | 11.40 | 6.00 | 4.80 |
| 12 | 11.00 | 13.00 | 12.40 | 6.00 | 4.80 |
| 13 | 12.00 | 14.00 | 13.40 | 6.00 | 4.80 |
| 14 | 13.00 | 15.00 | 14.40 | 6.00 | 4.80 |
| 15 | 14.00 | 16.00 | 15.40 | 6.00 | 4.80 |
| 16 | 15.00 | 17.00 | 16.40 | 6.00 | 4.80 |
| 17 | 16.00 | 18.00 | 17.40 | 6.00 | 4.80 |
| 18 | 17.00 | 19.00 | 18.40 | 6.00 | 4.80 |
| 19 | 18.00 | 20.00 | 19.40 | 6.00 | 4.80 |
| 20 | 19.00 | 21.00 | 20.40 | 6.00 | 4.80 |



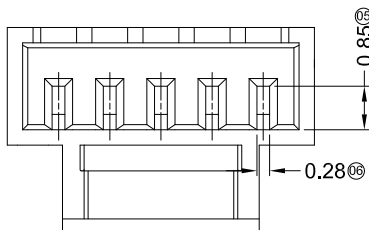
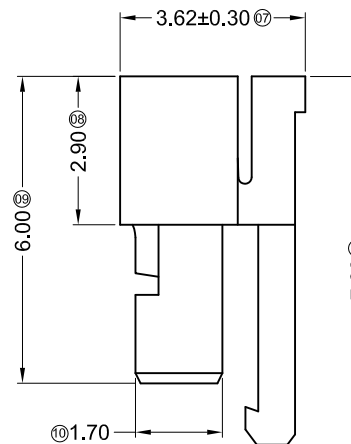
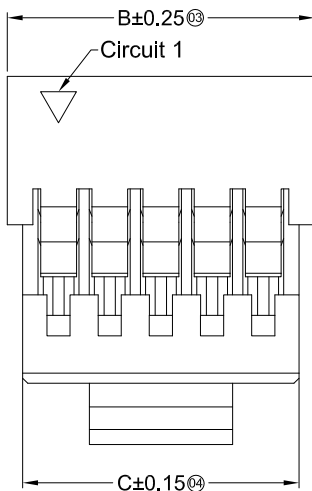
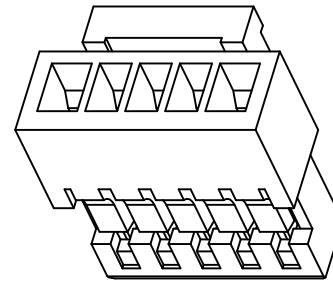
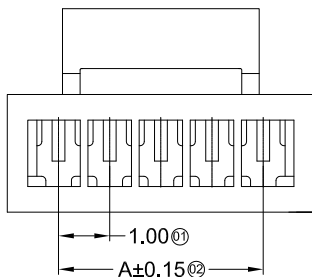
| | | | |
|------------------|-------------------------------|-----------------------|--------------|
| X1002H-XXB4-N0HF | PA66 UL 94V-0 Halogen Free | 1002T-A | 1002W |
| PART NO | Material | Suitable XKB Terminal | Suitable XKB |

For and on behalf of
XKB INDUSTRIAL PRECISION CO., LIMITED
 香港星坤工業精密有限公司

| | | | | | | |
|------|-------------|------|---------|----------|-------------|-------|
| △ X | | | | | ANGULAR | ± 5° |
| △ X | | | | | L ≤ 4 | ± 0.2 |
| △ X | | | | | 4 < L ≤ 16 | ± 0.3 |
| MARK | DESCRIPTION | DATE | REVISED | APPROVED | 16 < L ≤ 63 | ± 0.4 |
| | | | | | L > 63 | ± 0.5 |

| | | | |
|---------------------------------------|------|------------|---------------------------------|
| DSND | DATE | SCALE: N/A | MODEL TYPE: X1002H-XXB4-N0HF |
| DWN | DATE | VIEW: | PART NO.: |
| CHKD | DATE | UNIT: mm | 1.00 mm Crimp Style Connectors |
| APPD | DATE | SIZE: A4 | DWG NO.: |
| UNSPECIFIED TOLERANCES | | | WEIGHT |
| XKB INDUSTRIAL PRECISION CO., LIMITED | | | SHEET |
| | | | REVISION |
| | | | 1.0g |
| | | | 1/1 |
| | | | A0 |

REVISIONS
 Authorized Signature(s)



Specifications :

- Voltage rating: 125 AC / DC
- Current rating: 1A AC / DC
- Withstanding voltage: 500V AC/minute
- Temperature range: -25°C~+85°C
- Insulation resistance: ≥100MΩ
- Contact resistance: ≤20mΩ
- After environmental testing: ≤40mΩ

X1002 H -XX B2-N0 XX HF

① ② ③ ④ ⑤ ⑥ ⑦

- ① Series No.
- ② Category: H-HSG
- ③ Row No.-Pin No.: XX-02P~20P
- ④ Plug the Pin & special No.: B2-Ultra-thin hook
- ⑤ Material: N0-PA66 94V-0
- ⑥ Color: Blank-Natural Color
- ⑦ HF-Halogen Free

| Poles | Dimensions(mm) | | | Poles | Dimensions(mm) | | |
|-------|----------------|-------|-------|-------|----------------|-------|-------|
| | A | B | C | | A | B | C |
| 02 | 1.00 | 3.00 | 2.40 | 12 | 11.00 | 13.00 | 12.40 |
| 03 | 2.00 | 4.00 | 3.40 | 13 | 12.00 | 14.00 | 13.40 |
| 04 | 3.00 | 5.00 | 4.40 | 14 | 13.00 | 15.00 | 14.40 |
| 05 | 4.00 | 6.00 | 5.40 | 15 | 14.00 | 16.00 | 15.40 |
| 06 | 5.00 | 7.00 | 6.40 | 16 | 15.00 | 17.00 | 16.40 |
| 07 | 6.00 | 8.00 | 7.40 | 17 | 16.00 | 18.00 | 17.40 |
| 08 | 7.00 | 9.00 | 8.40 | 18 | 17.00 | 19.00 | 18.40 |
| 09 | 8.00 | 10.00 | 9.40 | 19 | 18.00 | 20.00 | 19.40 |
| 10 | 9.00 | 11.00 | 10.40 | 20 | 19.00 | 21.00 | 20.40 |
| 11 | 10.00 | 12.00 | 11.40 | | | | |

| | | | |
|------------------|-------------------------------|-----------------------|--------------|
| X1002H-XXB2-N0 | PA66 UL 94V-0 | 1002T-A | 1002W |
| X1002H-XXB2-N0HF | PA66 UL 94V-0 Halogen Free | 1002T-A | 1002W |
| PART NO | Material | Suitable XKB Terminal | Suitable K B |

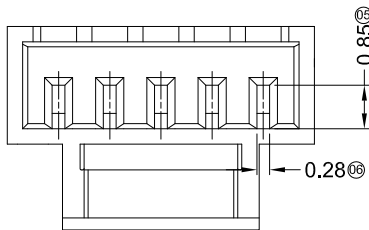
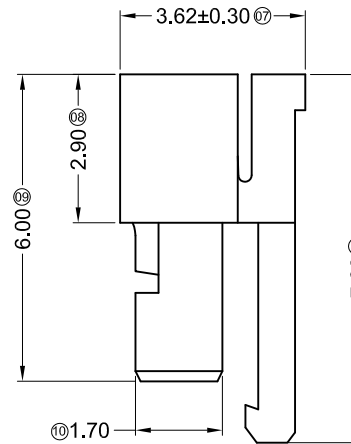
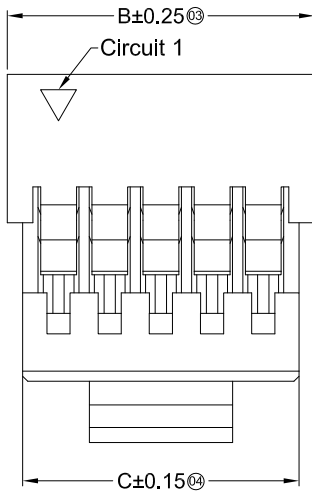
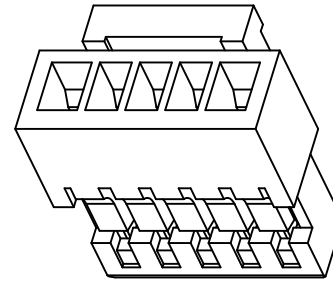
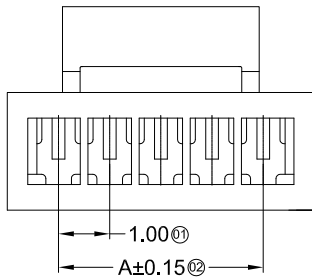
For and on behalf of
XKB INDUSTRIAL PRECISION CO., LIMITED
香港星坤工業精密有限公司

| MARK | DESCRIPTION | DATE | REVISED | APPROVED | UNSPECIFIED TOLERANCES |
|------|-------------|------|---------|----------|------------------------|
| △ X | | | | | ANGULAR ±5° |
| △ X | | | | | L ≤ 4 ±0.2 |
| △ X | | | | | 4 < L ≤ 16 ±0.3 |
| | | | | | 16 < L ≤ 63 ±0.4 |
| | | | | | L > 63 ±0.5 |

| | | | |
|------|------|------------|---------------------------------|
| DSND | DATE | SCALE: N/A | MODEL TYPE: X1002H-XXB2-N0HF |
| DWN | DATE | VIEW: | PART NO.: |
| CHKD | DATE | UNIT: mm | 1.00 mm Crimp Style Connectors |
| APPD | DATE | SIZE: A4 | DWG NO.: |
| | | | WEIGHT 1.0g |
| | | | SHEET 1/1 |
| | | | REVISION A0 |

REVISIONS
Authorized Signature(s)

XKB INDUSTRIAL PRECISION CO., LIMITED



Specifications :

- Voltage rating: 125 AC / DC
- Current rating: 1A AC / DC
- Withstanding voltage: 500V AC/minute
- Temperature range: -25°C~+85°C
- Insulation resistance: ≥100MΩ
- Contact resistance: ≤20mΩ
- After environmental testing: ≤40mΩ

X1002 H -XX B-N0 XX HF

① ② ③ ④ ⑤ ⑥ ⑦

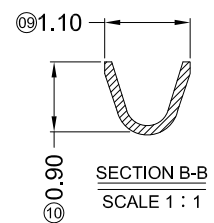
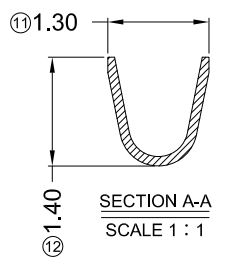
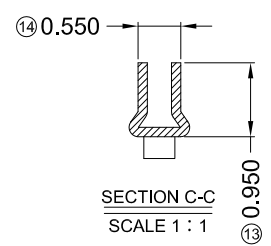
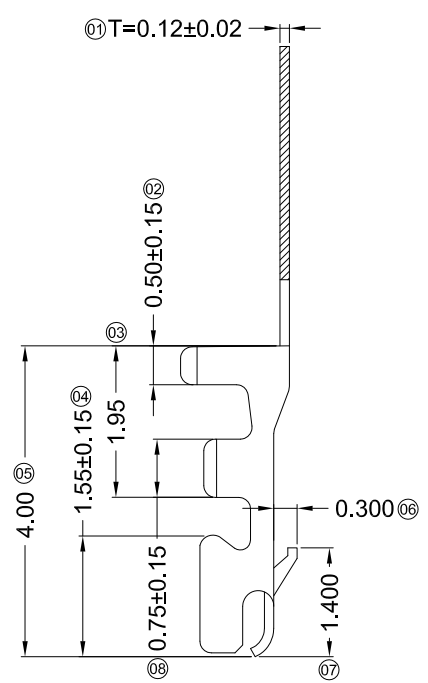
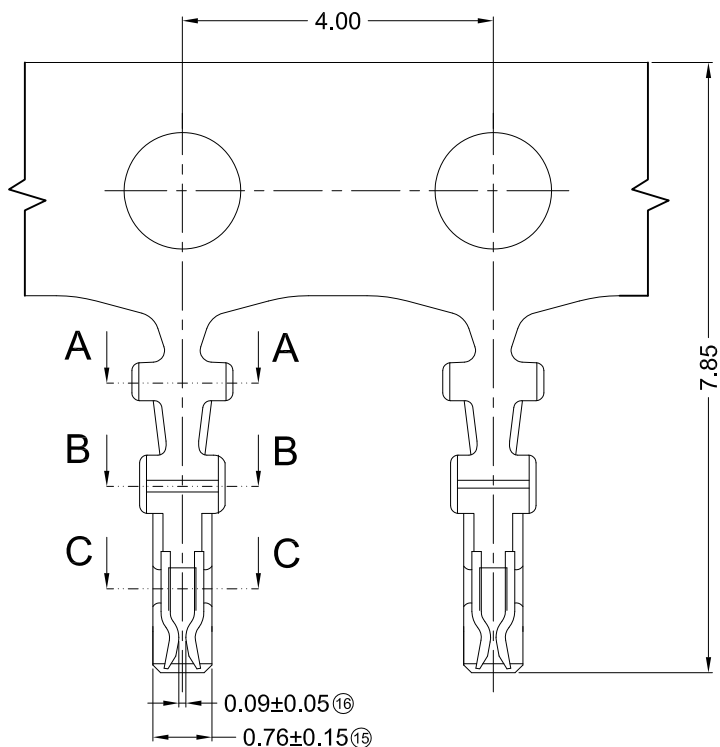
- ① Series No.
- ② Category: H-HSG
- ③ Row No.-Pin No.: XX-02P~20P
- ④ Plug the Pin & special No.: B-Ultra-thin hook
- ⑤ Material: N0-PA66 94V-0
- ⑥ Color: Blank-Natural Color
- HF-Halogen Free

| Poles | Dimensions(mm) | | | Poles | Dimensions(mm) | | |
|-------|----------------|-------|-------|-------|----------------|-------|-------|
| | A | B | C | | A | B | C |
| 02 | 1.00 | 3.00 | 2.40 | 12 | 11.00 | 13.00 | 12.40 |
| 03 | 2.00 | 4.00 | 3.40 | 13 | 12.00 | 14.00 | 13.40 |
| 04 | 3.00 | 5.00 | 4.40 | 14 | 13.00 | 15.00 | 14.40 |
| 05 | 4.00 | 6.00 | 5.40 | 15 | 14.00 | 16.00 | 15.40 |
| 06 | 5.00 | 7.00 | 6.40 | 16 | 15.00 | 17.00 | 16.40 |
| 07 | 6.00 | 8.00 | 7.40 | 17 | 16.00 | 18.00 | 17.40 |
| 08 | 7.00 | 9.00 | 8.40 | 18 | 17.00 | 19.00 | 18.40 |
| 09 | 8.00 | 10.00 | 9.40 | 19 | 18.00 | 20.00 | 19.40 |
| 10 | 9.00 | 11.00 | 10.40 | 20 | 19.00 | 21.00 | 20.40 |
| 11 | 10.00 | 12.00 | 11.40 | | | | |

| | | | |
|-----------------|-------------------------------|-----------------------|--------------|
| X1002H-XXB-N0 | PA66 UL 94V-0 | 1002T-A | 1002W |
| X1002H-XXB-N0HF | PA66 UL 94V-0 Halogen Free | 1002T-A | 1002W |
| PART NO | Material | Suitable XKB Terminal | Suitable XKB |

For and on behalf of
XKB INDUSTRIAL PRECISION CO., LIMITED
香港星坤工業精密有限公司

| MARK | DESCRIPTION | DATE | REVISED | APPROVED | UNSPECIFIED TOLERANCES | DSND | DATE | SCALE: N/A | MODEL TYPE: X1002H-XXB-N0HF | | |
|-------------------------|-------------|------|---------|----------|------------------------|---------------------------------------|------|------------|--------------------------------|-------|----------|
| △ X | | | | | ANGULAR ±5° | DWN | DATE | VIEW: | PART NO.: | | |
| △ X | | | | | L ≤ 4 ±0.2 | CHKD | DATE | UNIT: mm | 1.00 mm Crimp Style Connectors | | |
| △ X | | | | | 4 < L ≤ 16 ±0.3 | APPD | DATE | SIZE: A4 | DWG NO.: | | |
| | | | | | 16 < L ≤ 63 ±0.4 | | | | | | |
| | | | | | L > 63 ±0.5 | | | | | | |
| REVISIONS | | | | | | XKB INDUSTRIAL PRECISION CO., LIMITED | | | WEIGHT | SHEET | REVISION |
| Authorized Signature(s) | | | | | | | | | 1.0g | 1/1 | A0 |



- Specifications :**
- Voltage rating: 125V AC / DC
 - Current rating: 1A AC / DC
 - Withstanding voltage: 500V AC/minute
 - Temperature range: -25°C~+85°C
 - Insulation resistance: ≥100MΩ
 - Contact resistance: ≤20mΩ
 - After environmental testing: ≤40mΩ

X1002 T X-P XX X

- ① Series Number
 ② Category: T-terminal
 ③ Shape: Blank-ordinary
 ④ Material: P-Phosphor bronze
 ⑤ Plating Style:
 V01-All Gold Flash
 SN-Bright tin plating 70u" ; 30u" Ni
 SN2-50u" Ni Min, 120u" Tin Min
 ⑥ Plating method: Blank-Stamping before plating

| | | | | | |
|-------------|----------------|------------|-----------------|--|-----------------------|
| X1002T-PSN2 | Phospho Bronze | AWG#28-32 | 0.92mm | Stamping Before Plating:50u" Min Ni ; 120u"Sn Min | 1002H-A, 1002H-B |
| X1002T-PV01 | | | | Stamping Before Plating:30u" Ni ; Whole Gold :Gold Flash | |
| X1002T-PSN | | | | Stamping Before Plating:30u" Ni ; 70u"Sn | |
| PART NO | Material | Wire Range | Insulation O.D. | Finish | Suitable XKB Terminal |

For and on behalf of
XKB INDUSTRIAL PRECISION CO., LIMITED
 香港星坤工業精密有限公司

| | | | | | | |
|-------------------------|-------------|------|---------|----------|---------------------------------------|------|
| △ X | | | | | ANGULAR | ±5° |
| △ X | | | | | L ≤ 4 | ±0.2 |
| △ X | | | | | 4 < L ≤ 16 | ±0.3 |
| MARK | DESCRIPTION | DATE | REVISED | APPROVED | 16 < L ≤ 63 | ±0.4 |
| | | | | | L > 63 | ±0.5 |
| REVISIONS | | | | | UNSPECIFIED TOLERANCES | |
| Authorized Signature(s) | | | | | XKB INDUSTRIAL PRECISION CO., LIMITED | |

| | | | | | |
|------|--|------|--------|------------|--------------------------------|
| DSND | | DATE | | SCALE: N/A | MODEL TYPE: |
| DWN | | DATE | | VIEW: | 1.00 mm Crimp Style Connectors |
| CHKD | | DATE | | UNIT: mm | PART NO.: |
| APPD | | DATE | | SIZE: A4 | X1002T-PXX |
| | | | | | DWG NO.: |
| | | | WEIGHT | SHEET | REVISION |
| | | | 1.0g | 1/1 | A0 |

X-ON Electronics

Largest Supplier of Electrical and Electronic Components

Click to view similar products for [Headers & Wire Housings](#) category:

Click to view products by [XKB](#) manufacturer:

Other Similar products are found below :

[95000-104TRLF](#) [10135584-644402LF](#) [DF62W-EP2022PCA](#) [95000-106TRLF](#) [DF62W-2022SCA](#) [DF62W-EP2022PC](#) [2203348](#) [DF62W-2022SC](#) [1084018](#) [1029039](#) [1084017](#) [802-10-012-10-002000](#) [1112640](#) [1112639](#) [891-007-9SS-BST1T](#) [000-34000](#) [0008550134](#) [0009482033](#) [0009507031](#) [57102-F02-18ULF](#) [57102-S06-03LF](#) [57202-S52-04LF](#) [PCN6-15S-2.5E](#) [0039019024](#) [58102-G61-06LF](#) [582553-1](#) [0009485154](#) [0009508121](#) [0022285053](#) [0050291907](#) [018731A](#) [LY20-4P-DT1-P1E-BR](#) [02.125.8002.8](#) [60101931](#) [60598-1 \(Cut Strip\)](#) [M1625-3R/100](#) [61062-3](#) [61082-181009](#) [CSU011177004](#) [636-1427](#) [638009-1](#) [641938-9](#) [641991-4](#) [644168-1](#) [644827-2](#) [647662-1](#) [65039-019ELF](#) [65692-001LF](#) [65781-018](#) [65781-047](#)