

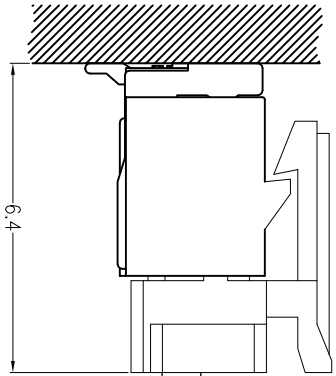
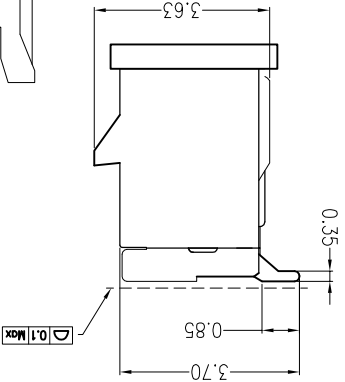
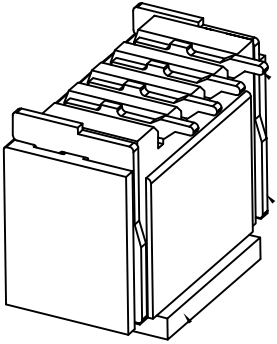
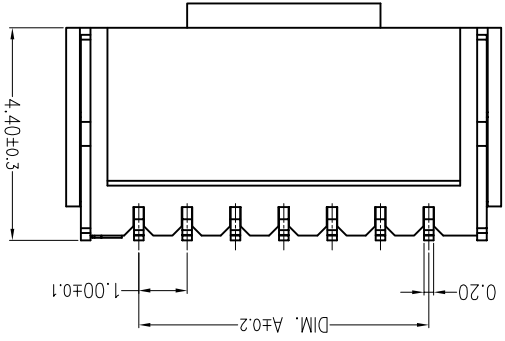
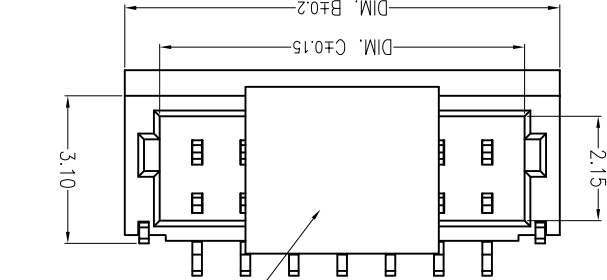
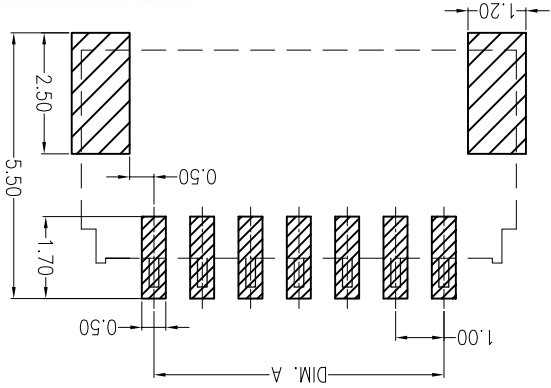
Recommend PCB Layout  
 for and on behalf of  
**XKB INDUSTRIAL PRECISION CO., LIMITED**  
 香港星坤工業精密有限公司

REVISIONS  
 Authorized Signatures(s)

MARK	DESCRIPTION	DATE	REVISED	APPROVED	UNSPECIFIED TOLERANCES
△ X					$\pm 0.5$
△ X					$16 < L \leq 63$
△ X					$4 < L \leq 16$
△ X					$L \leq 4$
					ANGULAR $\pm 5^\circ$

DSND	DATE	SCALE: N/A	MODEL TYPE: X1002WVS-XXL-LPSWHF
CHKD	DATE <td>UNIT: mm</td> <td>DWG NO.:</td>	UNIT: mm	DWG NO.:
APPD	DATE <td>SIZE: A4</td> <td></td>	SIZE: A4	

REVISION	SHEET	WEIGHT
A0	1/1	1.0g



PART NO	Material	Material(Pin And Solder Tabs)	Finish(Pin And Solder Tabs)	Suitable XKB Terminal
X1002WVS-XXL-HF-LPSW	Nylon 46 UL 94V-0	Brass	Tin-Plated	X1002H-L
X1002WVS-XXL-LPSWHF	Nylon 46 UL 94V-0	Brass	Tin-Plated	X1002H-L

Poles	Dimensions(mm)		
	A	B	C
02	1.00	4.00	2.50
03	2.00	5.00	3.50
04	3.00	6.00	4.50
05	4.00	7.00	5.50
06	5.00	8.00	6.50
07	6.00	9.00	7.50
08	7.00	10.00	8.50
09	8.00	11.00	9.50

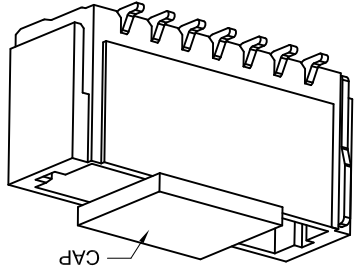
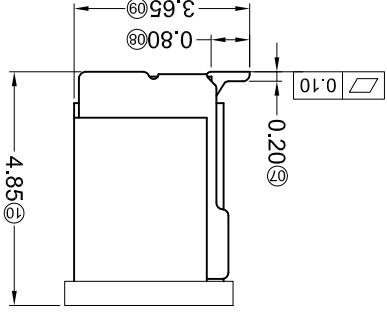
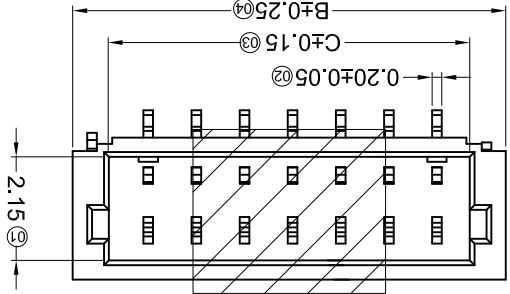
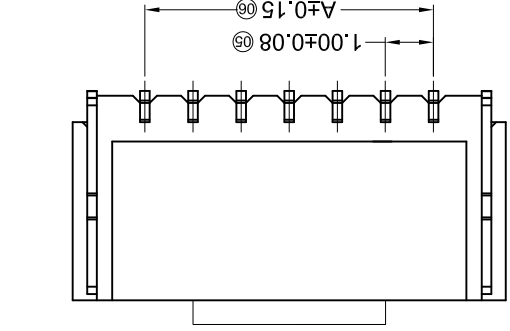
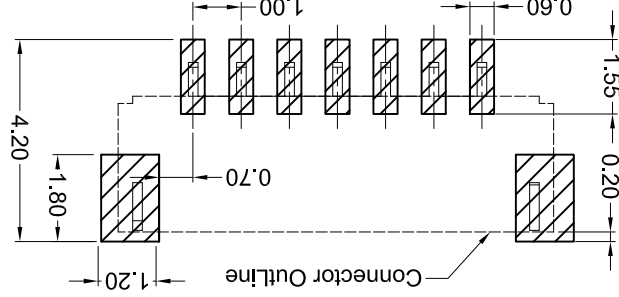
Poles	Dimensions(mm)		
	A	B	C
10	9.00	12.00	10.50
11	10.00	13.00	11.50
12	11.00	14.00	12.50
13	12.00	15.00	13.50
14	13.00	16.00	14.50
15	14.00	17.00	15.50
16	15.00	18.00	16.50
19	19.00	22.00	20.50

- ① Series No.  
 X1002 W V S-XX L-PSW-XX-XX  
 ① ② ③ ④ ⑤ ⑥ ⑦ ⑧ ⑨ ⑩
- ⑪ Category: W-water  
 ⑫ Welding Board Angle: V-180°  
 ⑬ Welding Way: S-SMT  
 ⑭ Row No.-Pin No.: XX-Single row  
 ⑮ Plug the Pin & Special NO.: L-With Lock  
 ⑯ Material: LP-LCP 94V-0  
 ⑰ Planting Category: SW-Matte Tin plating (Tin: 70u Min)  
 ⑱ Color: Blank-natural color  
 ⑲ HF-Halogen Free ; Blank-Halogen

- Specifications :
- Voltage rating: 50V AC / DC
  - Current rating: 1A AC / DC
  - Withstanding voltage: 500V AC/minute
  - Temperature range: -25°C~+85°C
  - Insulation resistance: ≥100MΩ
  - Contact resistance: ≤20mΩ
  - After environmental testing: ≤40mΩ

For and on behalf of  
**XKB INDUSTRIAL PRECISION CO., LIMITED**  
 香港星坤工業精密有限公司

MARK	DESCRIPTION	DATE	REVISD	APPROVED	UNSPICIFIED TOLERANCES
△X					$\pm 0.5$
△X					$16 < L \leq 63$
△X					$4 < L \leq 16$
△X					$L \leq 4$
					ANGULAR
					$\pm 5^\circ$



PART NO	Material	(Pin And Solder Tabs) Material (Pin And Solder Tabs)	Suitable XKB Terminal
X1002WVS-XXE-LP-SW	LCP UL 94V-0	Phosphor Bronze	X1002H
X1002WVS-XXE-LPSWHF	LCP UL 94V-0 Halogen Free	Tin Plating Fog	

Poles	Dimensions(mm)		
	A	B	C
02	1.00	4.00	2.50
03	2.00	5.00	3.50
04	3.00	6.00	4.50
05	4.00	7.00	5.50
06	5.00	8.00	6.50
07	6.00	9.00	7.50
08	7.00	10.00	8.50
09	8.00	11.00	9.50
10	9.00	12.00	10.50

X1002 W V S-XX E-LP SW XX XX

Series No. 01

- 01 Series No.
- 02 Category: W-water
- 03 Welding Board Angle: V-180°
- 04 Welding Way: S-SMT
- 05 Row No.-Pin No.: XX-02P~20P
- 06 Plug the Pin & Special NO.: E-Ear clip
- 07 Material: LP-LCP 94V-0
- 08 Plating Category: SW-Matte Tin plating (Tin: 70u Min)
- 09 Color: Blank-Natural color
- 10 HF-Halogen Free ; Blank-Halogen

- Voltage rating: 50V AC / DC
- Current rating: 1A AC / DC
- Withstanding voltage: 500V AC/minute
- Temperature range: -25°C~+85°C
- Insulation resistance:  $\geq 100M\Omega$
- Contact resistance:  $\leq 20m\Omega$
- After environmental testing:  $\leq 40m\Omega$

**Specifications :**

DSND	DATE	SCALE: N/A	MODEL TYPE: X1002WVS-XXE-LPSWXX
CHKD	DATE <td>UNIT: mm</td> <td>DWG NO.:</td>	UNIT: mm	DWG NO.:
APPD	DATE <td>SIZE: A4</td> <td>REVISION</td>	SIZE: A4	REVISION

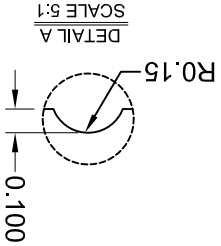
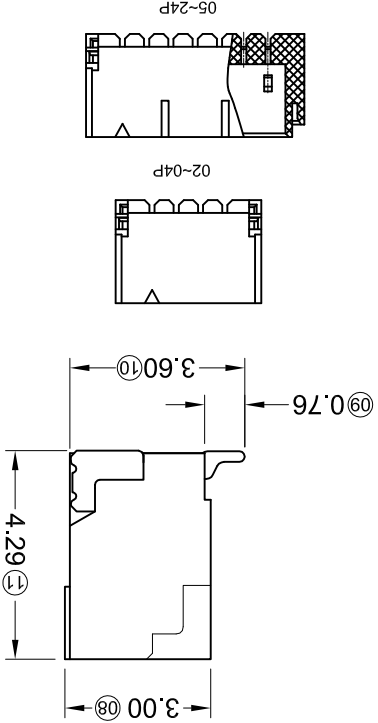
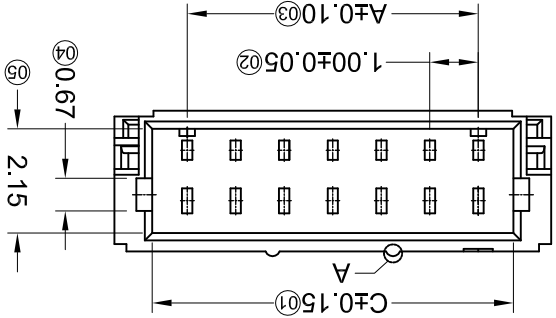
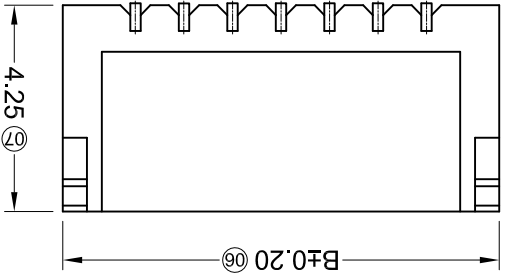
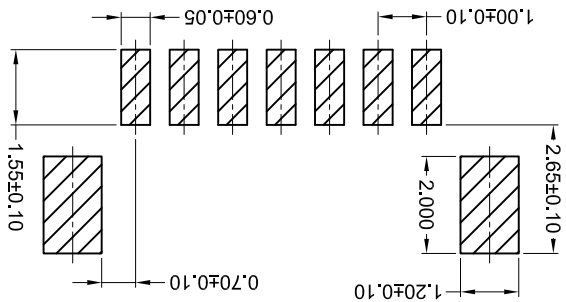
REVISION	SHEET	WEIGHT
A0	1/1	1.0g

For and on behalf of  
**XKB INDUSTRIAL PRECISION CO., LIMITED**  
 香港星洲工業精密有限公司  
 REVISIONS  
 AUTHORIZED SIGNATURE(S)

MARK	DESCRIPTION	DATE	REVISD	APPROVED	UNSPECIFIED TOLERANCES
△ X					L > 63 ± 0.5
△ X					16 < L ≤ 63 ± 0.4
△ X					4 < L ≤ 16 ± 0.3
△ X					L ≤ 4 ± 0.2
					ANGULAR ± 5°

DNSD	DATE	SCALE: N/A	MODEL TYPE: X1002WVS-XX-XXSN
DWN	DATE <td>VIEW: </td> <td>PART NO.:</td>	VIEW:	PART NO.:
CHKD	DATE <td>UNIT: mm</td> <td>DWG NO.:</td>	UNIT: mm	DWG NO.:
APPD	DATE <td>SIZE: A4</td> <td>REVISION</td>	SIZE: A4	REVISION
			WEIGHT 1.0g
			SHEET 1/1
			REVISION A0

### Recommend PCB Layout



Poles	Dimensions(mm)			Poles	Dimensions(mm)		
	A	B	C		A	B	C
02	1.00	4.00	2.45	12	11.00	14.00	12.45
03	2.00	5.00	3.45	13	12.00	15.00	13.45
04	3.00	6.00	4.45	14	13.00	16.00	14.45
05	4.00	7.00	5.45	15	14.00	17.00	15.45
06	5.00	8.00	6.45	16	15.00	18.00	16.45
07	6.00	9.00	7.45	17	16.00	19.00	17.45
08	7.00	10.00	8.45	18	17.00	20.00	18.45
09	8.00	11.00	9.45	19	18.00	21.00	19.45
10	9.00	12.00	10.45	20	19.00	22.00	20.45
11	10.00	13.00	11.45	24	23.00	26.00	24.45

PART NO	Material(Water And Cap)	Material(Fin And Solder Tabs)	Finish(Fin And Solder Tabs)	Suitable XKB Terminal
X1002WVS-XXHF-LPSN	LCP UL 94V-0 Halogen Free	Phosphor Bronze Or Brass	Tin-Plated	X1002H
X1002WVS-XX-6TSN	Nylon 6T UL 94V-0	Brass	Tin-Plated	

### Specifications :

- Voltage rating: 100V AC / DC
- Current rating: 2A AC / DC
- Withstanding voltage: 800V AC/minute
- Temperature range: -25°C~+85°C
- Insulation resistance: ≥1000MΩ
- Contact resistance: ≤20mΩ
- After environmental testing: ≤30mΩ

X1002 W V S-XX X-XX XXX XX

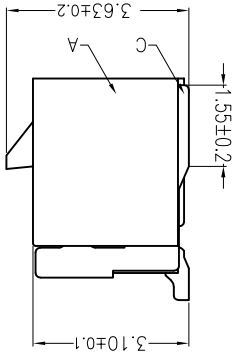
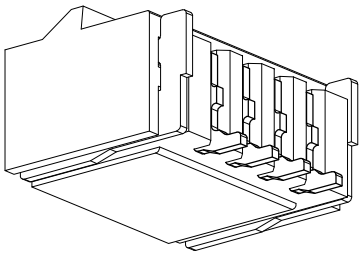
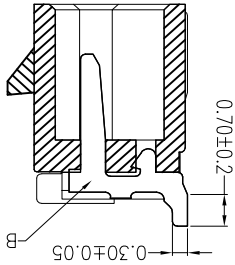
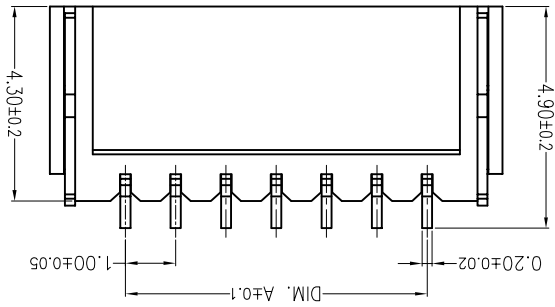
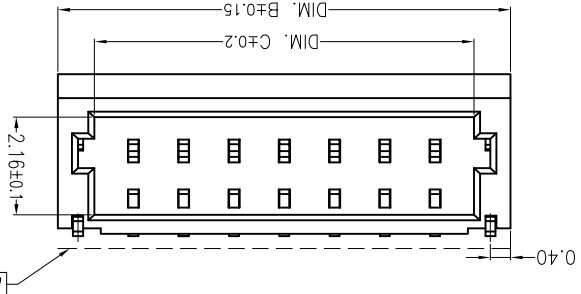
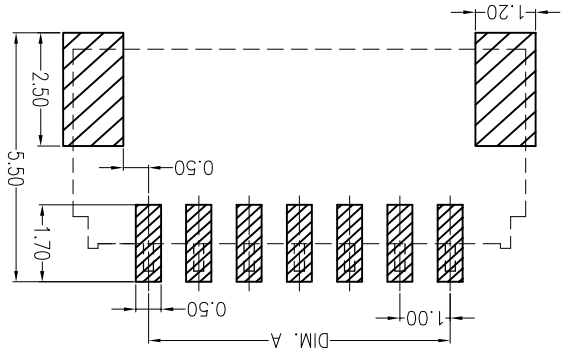
- ① Series No.  
 ② Category: W-water  
 ③ Welding Board Angle: V- Straight 180°  
 ④ Welding Way: S-SMT  
 ⑤ Row No./Pin No.: XX-02P~24P  
 ⑥ Plug the Pin & Special No.  
 ⑦ Material: 6T-PA6T 94V-0 ; LP-LCP 94V-0;  
 9T-PA9T 94V-0  
 ⑧ Plating Category: SN-Bright tin plating  
 ⑨ Color: Blank-Natural Color

For and on behalf of  
**KXB INDUSTRIAL PRECISION CO., LIMITED**  
 香港星坤工業精密有限公司

REVISIONS  
 Authorized Signatures(s)

MARK	DESCRIPTION	DATE	REVISED	APPROVED	UNSPECIFIED TOLERANCES
△ X					$\pm 0.5$
△ X					$16 < L \leq 63$
△ X					$4 < L \leq 16$
△ X					$L \leq 4$
					ANGULAR $\pm 5^\circ$

Recommend PCB Layout



PART NO	Material	Material(Fin And Solder Tabs)	Finish(Fin And Solder Tabs)	Suitable XKB Terminal
X1002WRS-XXL-LPSWHF	PA46 UL 94V-0	Brass	Bright tin plating	X 1002HL
X1002WRS-XXL-LPSWH	PA46 UL 94V-0	Brass	Bright tin plating	X 1002HL

Poles	Dimensions(mm)		Poles	Dimensions(mm)	
	A	B		C	B
02	1.00	4.00	10	9.00	12.00
03	2.00	5.00	11	10.00	13.00
04	3.00	6.00	12	11.00	14.00
05	4.00	7.00	13	12.00	15.00
06	5.00	8.00	14	13.00	16.00
07	6.00	9.00	15	14.00	17.00
08	7.00	10.00	16	15.00	18.00
09	8.00	11.00	20	19.00	22.00
					20.50

■ Specifications :

- Voltage rating: 50V AC / DC
- Current rating: 1A AC / DC
- Withstanding voltage: 500V AC/minute
- Temperature range: -25°C~+85°C
- Insulation resistance: ≥100MΩ
- Contact resistance: ≤20mΩ
- After environmental testing: ≤40mΩ

X1002 W R S-XX L-LPXX XX XX  
 ① Series No.  
 ② Category: W-water  
 ③ Welding Board Angle: R-90°  
 ④ Welding Way: S-SMT  
 ⑤ Row No.-Pin No.: XX-02P~20P  
 ⑥ Plug the Pin & Special No.: L-With Lock  
 ⑦ Material: 6T-PA6T 94V-0; LP-LCP 94V-0;  
 ⑧ 9T-PA9T 94V-0  
 ⑨ Planting Category: SW-Matte Tin plating (Tin: 70u Min)  
 ⑩ Color: Blank-natural color  
 ⑪ HF-Halogen Free ; Blank-Halogen

DSND	DATE	SCALE: N/A	MODEL TYPE: X1002WRS-XXL-LPSWHF
DWN	DATE <td>VIEW: </td> <td>PART NO.:</td>	VIEW:	PART NO.:
CHKD	DATE <td>UNIT: mm</td> <td>DWG NO.:</td>	UNIT: mm	DWG NO.:
APPD	DATE <td>SIZE: A4</td> <td>WEIGHT: 1.0g</td>	SIZE: A4	WEIGHT: 1.0g
			SHEET: 1/1
			REVISION: A0

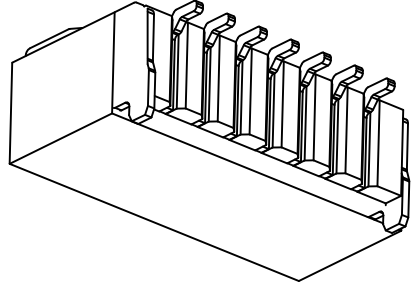
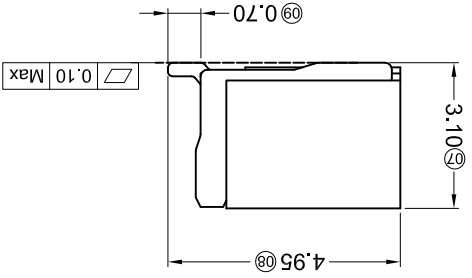
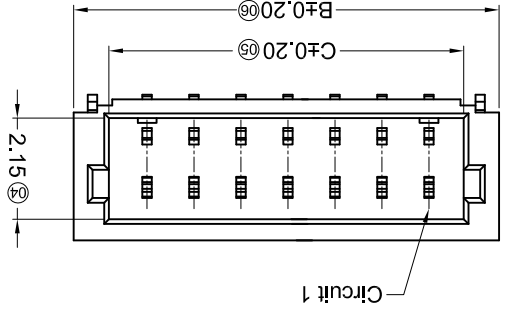
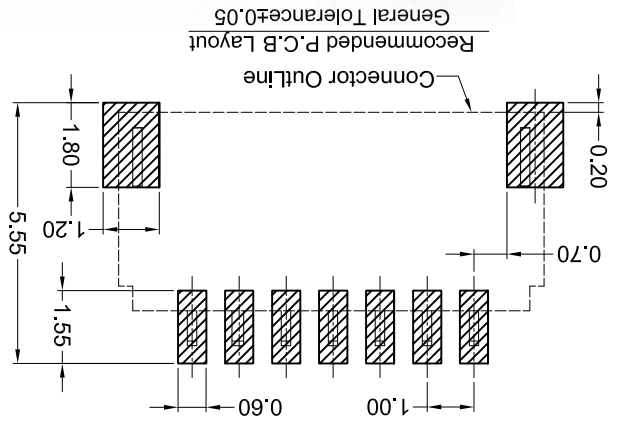
**KXB INDUSTRIAL PRECISION CO., LIMITED**

For and on behalf of  
**XKB INDUSTRIAL PRECISION CO., LIMITED**  
 香港星坤工業精密有限公司

MARK	DESCRIPTION	DATE	REVISED	APPROVED	UNSPECIFIED TOLERANCES	
					L > 63	± 0.5
△ X					16 < L ≤ 63	± 0.4
△ X					4 < L ≤ 16	± 0.3
△ X					L ≤ 4	± 0.2
					ANGULAR	± 5°

REVISIONS	SIGNATURE(S)	
DATE	APPROVED	REVISED
DATE	APPROVED	REVISED
DATE	APPROVED	REVISED
DATE	APPROVED	REVISED

MODEL TYPE: X1002WRS-XXE-LPSWHF	SCALE: N/A	DATE	DATE	DATE	DATE
PART NO.: 1.00 mm Crimp Style Connectors	VIEW:	DATE	DATE	DATE	DATE
DWG NO.:	UNIT: mm	DATE	DATE	DATE	DATE
SIZE: A4	SIZE: A4	DATE	DATE	DATE	DATE
WEIGHT: 1.0g	SHEET: 1/1	DATE	DATE	DATE	DATE
REVISION: A0	REVISION: A0	DATE	DATE	DATE	DATE



PART NO	Material	Material (Pth)	Material (Solder Tabs)	Finish (Pin and Solder Tabs)	Suitable XKB Terminal
X1002WRS-XXE-LPSWHF	LCP UL 94V-0	Phosphor	Brass	Matte Tin	X1002H-L
X1002WRS-XXE-LPV01	LCP UL 94V-0	Phosphor	Brass	Matte Tin	X1002H-L
X1002WRS-XXE-LPSWHF	LCP UL 94V-0	Phosphor	Brass	Matte Tin	X1002H-L

Poles	Dimensions(mm)		
	A	B	C
02	1.00	4.00	2.50
03	2.00	5.00	3.50
04	3.00	6.00	4.50
05	4.00	7.00	5.50
06	5.00	8.00	6.50
07	6.00	9.00	7.50
08	7.00	10.00	8.50
09	8.00	11.00	9.50

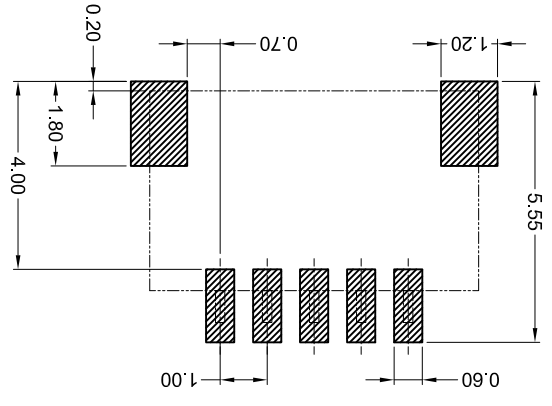
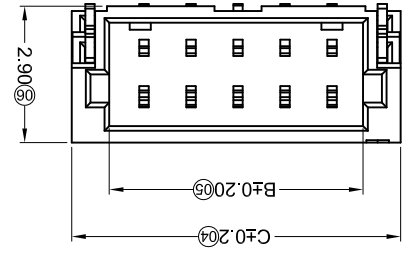
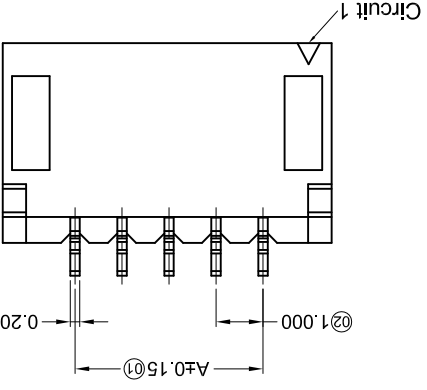
Poles	Dimensions(mm)		
	A	B	C
10	9.00	12.00	10.50
11	10.00	13.00	11.50
12	11.00	14.00	12.50
13	12.00	15.00	13.50
14	13.00	16.00	14.50
15	14.00	17.00	15.50
16	15.00	18.00	16.50
20	19.00	22.00	20.50

- ① Series No.  
 ② Category: W-wafer  
 ③ Welding Board Angle: R-90°  
 ④ Welding Way: S-SMT  
 ⑤ Row No.-Pin No.: XX-02P~20P  
 ⑥ Plug the Pin & Special No.: E-Ear clip  
 ⑦ Material: LP-LCP 94V-0  
 ⑧ Plating Category:  
 V\*:All Gold-Plated \*01-Gold Flash  
 SW-Fog Tin plating SN-Bright tin plating  
 Color: Blank-natural color  
 ⑩ HF-Halogen Free ; Blank-Halogen

- Specifications :
- Voltage rating: 50V AC / DC
  - Current rating: 1A AC / DC
  - Withstanding voltage: 500V AC/minute
  - Temperature range: -25°C~+85°C
  - Insulation resistance: ≥100MΩ
  - Contact resistance: ≤20mΩ
  - After environmental testing: ≤40mΩ

X1002 W R S-XX E-LP XX XX X

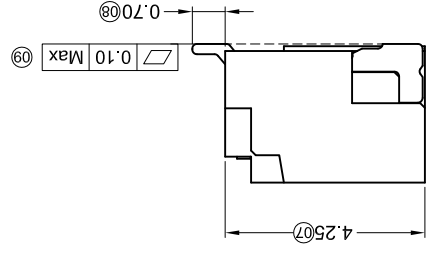
- ① ② ③ ④ ⑤ ⑥ ⑦ ⑧ ⑨ ⑩



*For and on behalf of*  
**XKB INDUSTRIAL PRECISION CO., LIMITED**  
香港星洲工業精密有限公司

MARK	DESCRIPTION	DATE	REVISD	APPROVED	UNSPCIFIED TOLERANCES
△ X					±0.5
△ X					16 < L ≤ 63
△ X					4 < L ≤ 16
△ X					L ≤ 4
					ANGULAR ±5°

REVISIONS  
*Authorized Signatures(s)*



PART NO	Material	Solder (Pin and Solder Tabs)	Finish (Pin and Solder Tabs)	Suitable XKB Terminal
X1002WRS-XX-LP-SN	LCP UL 94V-0	Phosphor Bronze	Tin-Plated	X-1002H

Poles	Dimensions(mm)		
	A	B	C
02	1.00	2.40	4.00
03	2.00	3.40	5.00
04	3.00	4.40	6.00
05	4.00	5.40	7.00
06	5.00	6.40	8.00
07	6.00	7.40	9.00
08	7.00	8.40	10.00
09	8.00	9.40	11.00
10	9.00	10.40	12.00
11	10.00	11.40	13.00
Poles			
Dimensions(mm)			
A	B	C	
12	11.00	12.40	14.00
13	12.00	13.40	15.00
14	13.00	14.40	16.00
15	14.00	15.40	17.00
16	15.00	16.40	18.00
17	16.00	17.40	19.00
18	17.00	18.40	20.00
19	18.00	19.40	21.00
20	19.00	20.40	22.00
21	20.00	21.40	22.40
22	21.00	22.40	24.00

Series No. ① ② ③ ④ ⑤ ⑥ ⑦ ⑧ ⑨  
X1002 W R S-XX X-LP SN XX

- ① Series No.
- ② Category: W-water
- ③ Welding Board Angle: R- Right Angle 90°
- ④ Welding Way: S-SMT
- ⑤ Row No.-Pin No.: XX-02P~22P
- ⑥ Plug the Pin & Special No.:
- ⑦ Material: LCP-LCP 94V-0
- ⑧ Plating Category: SN-Bright tin plating
- ⑨ Color: Blank-Natural Color

- Specifications :
- Voltage rating: 50V AC / DC
  - Current rating: 1A AC / DC
  - Withstanding voltage: 500V AC/minute
  - Temperature range: -25°C~+85°C
  - Insulation resistance: ≥100MΩ
  - Contact resistance: ≤20mΩ
  - After environmental testing: ≤40mΩ

DATE	SCALE: N/A	MODEL TYPE: X1002WRS-XX-LP-SN
DNSD	DATE	SCALE: N/A
DWN	DATE	VIEW:
CHKD	DATE	UNIT: mm
APPD	DATE	SIZE: A4
DWG NO.:		
1.00 mm Crimp Style Connectors		
PART NO.:		
WEIGHT: 1.0g		
SHEET: 1/1		
REVISION: A0		

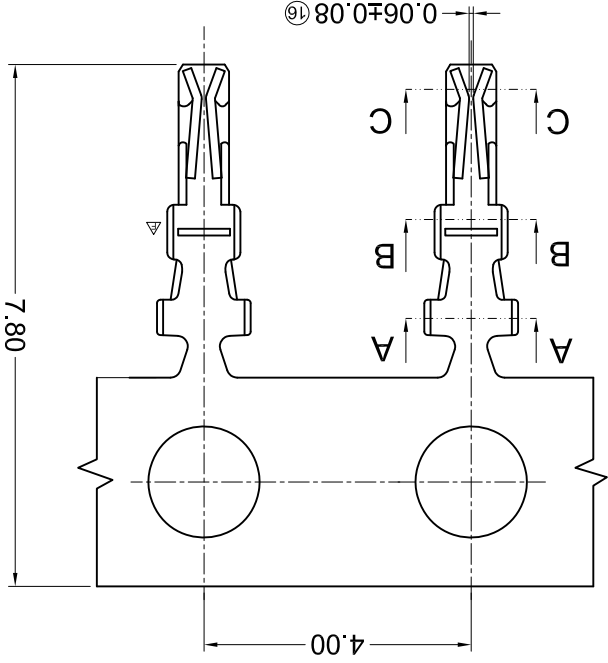
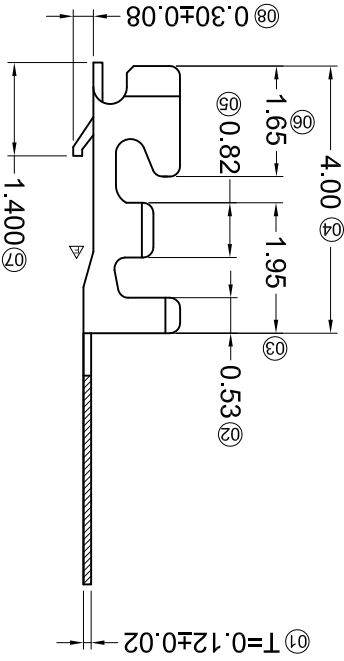
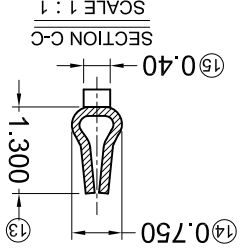
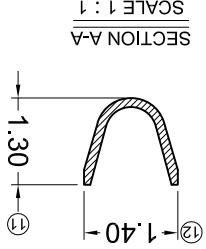
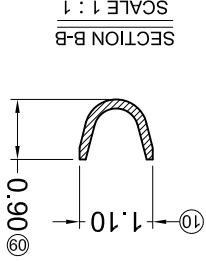
**XKB INDUSTRIAL PRECISION CO., LIMITED**

For and on behalf of  
**XKB INDUSTRIAL PRECISION CO., LIMITED**  
 香港星坤工業精密有限公司

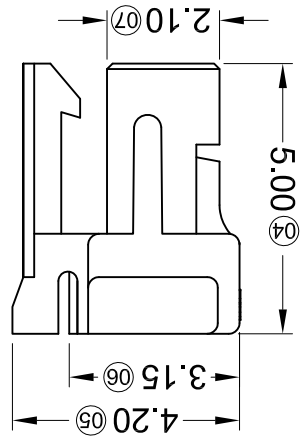
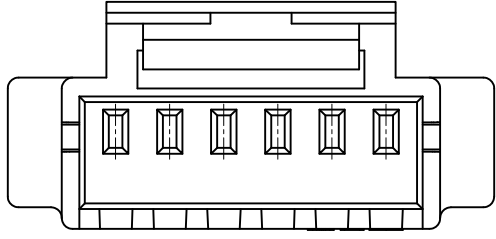
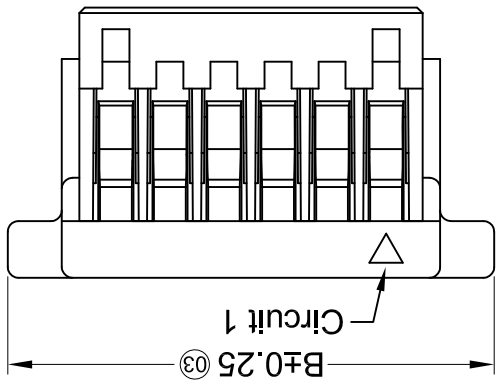
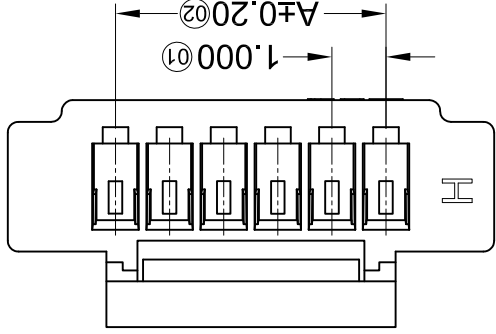
MARK	DESCRIPTION	DATE	REVISED	APPROVED	UNSPECIFIED TOLERANCES
△ X					L > 63
△ X					16 < L ≤ 63
△ X					4 < L ≤ 16
					L ≤ 4
					ANGULAR
					± 5°

REVISIONS	Authorized Signatures(s)				
APPD	DATE	REVISOR	APPROVED	DATE	DESCRIPTION
CHKD	DATE	UNIT	DATE	SIZE	A4
DWN	DATE	VIEW	VIEW	PART NO.	1.00 mm Crimp Style Connectors
DSND	DATE	SCALE	SCALE	MODEL TYPE	X1002T-PXX
				WEIGHT	1.0g
				SHEET	1/1
				REVISION	A0

PART NO	Material	Wire Range	Insulation O.D.	Finish	Suitable XKB Terminal
X1002T-PV03	Phosphor Bronze AWG#26-32 0.80mm(Max)			Stamping Before Plating:30~50u" Ni;Whole Gold :3u" Min.	
X1002T-PV01				Stamping Before Plating:30~50u" Ni;Whole Gold :3u" Min.	
X1002T-FSN2				Stamping Before Plating:50u" Min Ni;120u"Sn Min	
X1002T-FSN				Stamping Before Plating:30~50u" Ni;70~120u"Sn	



- Specifications :**
- Voltage rating: 50V AC / DC
  - Current rating: 1A AC / DC
  - Withstanding voltage: 500V AC/minute
  - Temperature range: -25°C~+85°C
  - Insulation resistance: ≥100MΩ
  - Contact resistance: ≤20mΩ
  - After environmental testing: ≤40mΩ
- ① Series Number  
 X1002 T X-P XX X-X
- ② Category: T-terminal  
 ③ Shape: Blank-ordinary  
 ④ Material: P-Phosphor bronze  
 ⑤ Plating style:  
 V\*-All Gold-Plated ; \*01-Gold Flash ; \*03-3u"  
 SN-Bright tin plating 70-120u"  
 SN2-Bright tin plating 120u"Min. Ni : 50u" Min.  
 ⑥ Plating method:  
 Blank-Stamping before plating  
 B-Plating before stamping  
 ⑦ Mold No./Mark/Special No.



For and on behalf of  
 XKB INDUSTRIAL PRECISION CO., LIMITED  
 香港星坤工業精密有限公司

REVISIONS  
 Authorized Signatures(s)

MARK	DESCRIPTION	DATE	REVISED	APPROVED	UNSPECIFIED TOLERANCES
△ X					L > 63 ±0.5
△ X					16 < L ≤ 63 ±0.4
△ X					4 < L ≤ 16 ±0.3
△ X					L ≤ 4 ±0.2
					ANGULAR ±5°

PART NO	Material	Suitable XKB Terminal	Suitable XKB Terminal
X1002H-XXL-N0XX	PA66 UL 94V-0	X1002T	X1002W-L

Poles	Dimensions(mm)		Poles	A	B
	A	B			
02	1.00	5.00	12	11.00	15.00
03	2.00	6.00	13	12.00	16.00
04	3.00	7.00	14	13.00	17.00
05	4.00	8.00	15	14.00	18.00
06	5.00	9.00	16	15.00	19.00
07	6.00	10.00	17	16.00	20.00
08	7.00	11.00	18	17.00	21.00
09	8.00	12.00	19	18.00	22.00
10	9.00	13.00	20	19.00	23.00
11	10.00	14.00			

X1002 H X-XX L-N0 XX  
 ① Series No.  
 ② Category: H-HSG  
 ③ Welding Board Angle: Blank-ordinary  
 ④ Row No.-Pin No.: XX-02P~12P  
 ⑤ Plug the Pin & special No.: L-With Lock  
 ⑥ Material: N0-PA66 94V-0  
 ⑦ Color: Blank-Natural color ; BK-Black

- Specifications :
- Voltage rating: 50V AC / DC
  - Current rating: 1A AC / DC
  - Withstanding voltage: 500V AC/minute
  - Temperature range: -25°C~+85°C
  - Insulation resistance: ≥100MΩ
  - Contact resistance: ≤20mΩ
  - After environmental testing: ≤40mΩ

DATE	SCALE: N/A	MODEL TYPE: X1002H-XXL-N0XX
DNSD		
DWN	VIEW:	PART NO.:
CHKD	UNIT: mm	DWG NO.:
APPD	DATE	SIZE: A4
	DATE	WEIGHT: 1.0g
		SHEET: 1/1
		REVISION: A0

XKB INDUSTRIAL PRECISION CO., LIMITED



For and on behalf of  
**KXB INDUSTRIAL PRECISION CO., LIMITED**  
 香港星坤工業精密有限公司

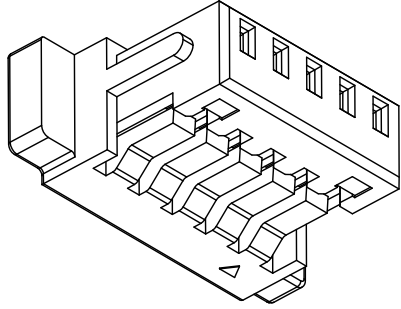
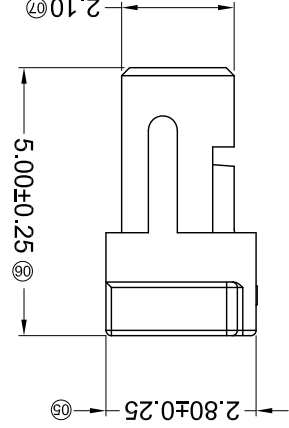
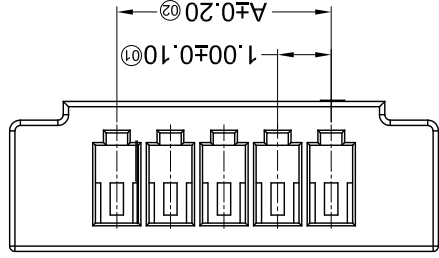
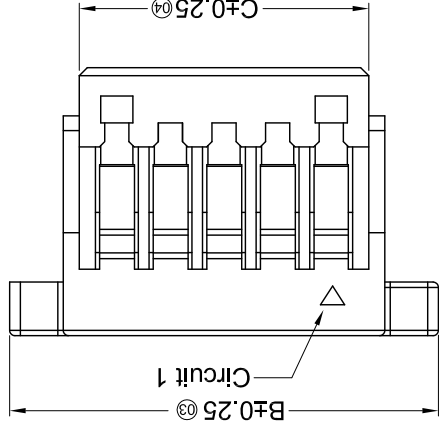
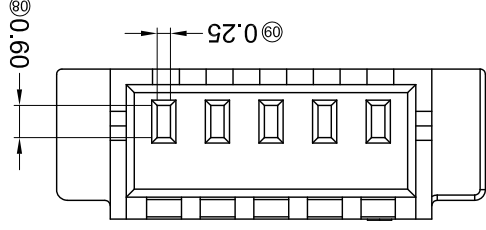
MARK	DESCRIPTION	DATE	REVISD	APPROVED	UNSPCIFIED TOLERANCES
△ X					L > 63
△ X					16 < L ≤ 63
△ X					L ≤ 16
					L ≤ 4
					ANGULAR

REVISION	SHEET	WEIGHT	SIZE	DATE	APPD
A0	1/1	1.0g	A4		

REVISION	SHEET	WEIGHT	SIZE	DATE	CHKD
A0	1/1	1.0g	A4		

REVISION	SHEET	WEIGHT	SIZE	DATE	DWN
A0	1/1	1.0g	A4		

REVISION	SHEET	WEIGHT	SIZE	DATE	DSND
A0	1/1	1.0g	A4		



PART NO	Material	Suitable XKB Terminal	Suitable XKB Terminal
X1002H-XXE-PT	PBT UL 94V-0		Suitable XKB Terminal
X1002H-XXE-N0	PA66 UL 94V-0		Suitable XKB Terminal
X1002H-XXE-N0HF	Halogen Free PA66 UL 94V-0		Suitable XKB Terminal
X1002H-XXE-PGN0HF	Halogen Free P-640PG3G-NC(15%GF)	X1002T	X1002W

Poles	Dimensions(mm)		
	A	B	C
02	1.00	5.00	2.40
03	2.00	6.00	3.40
04	3.00	7.00	4.40
05	4.00	8.00	5.40
06	5.00	9.00	6.40
07	6.00	10.00	7.40
08	7.00	11.00	8.40
09	8.00	12.00	9.40
10	9.00	13.00	10.40
11	10.00	14.00	11.40
12	11.00	15.00	12.40

- ① Series No.  
 ② Category: H-HSG  
 ③ Welding Board Angle: Blank-ordinary  
 ④ Row No.-Pin No.: XX-02P-24P  
 ⑤ Plug the Pin & special No.: E-Have ears  
 ⑥ Material: PT-PBT; N0-PA66 94V-0  
 PGN0-P-640PG3G-NC(15%GF)  
 ⑦ Color: Blank-natural color  
 ⑧ HF- Halogen Free; Blank- Halogen
- X1002 H X-XX E-XX XX XX
- ① ② ③ ④ ⑤ ⑥ ⑦ ⑧

- Specifications :
- Voltage rating: 50V AC / DC
  - Current rating: 1A AC / DC
  - Withstanding voltage: 500V AC/minute
  - Temperature range: -25°C~+85°C
  - Insulation resistance: ≥100MΩ
  - Contact resistance: ≤20mΩ
  - After environmental testing: ≤40mΩ

For and on behalf of  
**XKB INDUSTRIAL PRECISION CO., LIMITED**  
 香港星洲工業精密有限公司

REVISIONS  
 Authorized Signatures(s)

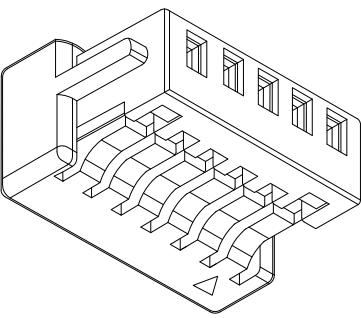
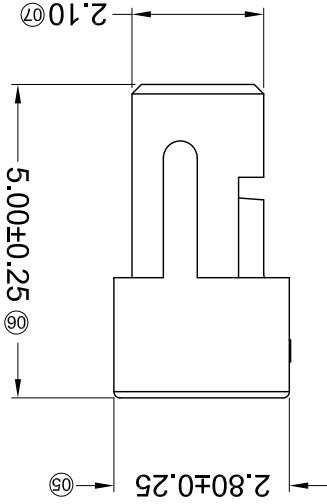
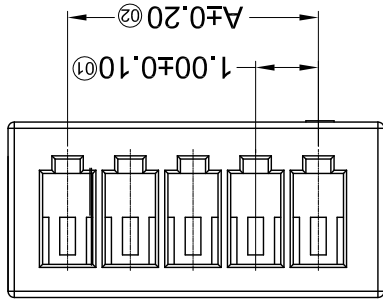
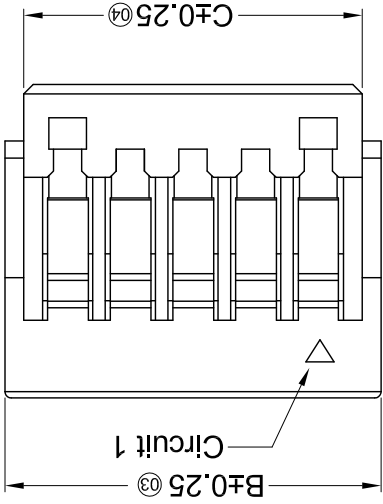
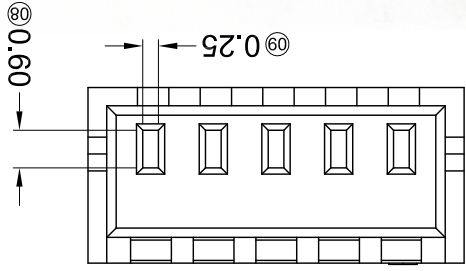
MARK	DESCRIPTION	DATE	REVISED	APPROVED	UNSPECIFIED TOLERANCES
△ X					L > 63
△ X					16 < L ≤ 63
△ X					4 < L ≤ 16
					L ≤ 4
					±0.2
					ANGULAR
					±5°

REVISION	SHEET	WEIGHT	1/1	1.0g	8
A0					

DATE	SCALE: N/A	MODEL TYPE: X1002H-XX-XXHF	VIEW:	UNIT: mm	SIZE: A4
DATE					
DATE					
DATE					

DATE	SCALE: N/A	MODEL TYPE: X1002H-XX-XXHF	VIEW:	UNIT: mm	SIZE: A4
DATE					
DATE					
DATE					

DATE	SCALE: N/A	MODEL TYPE: X1002H-XX-XXHF	VIEW:	UNIT: mm	SIZE: A4
DATE					
DATE					
DATE					



PART NO	Material	Suitable XKB Terminal
X1002H-XX-PT	PBT UL 94V-0	Suitable XKB Terminal
X1002H-XX-N0	PA66 UL 94V-0	X1002Z
X1002H-XX-N0HF	PA66 UL 94V-0 Halogen Free	X1002W

Poles	Dimensions(mm)		
	A	B	C
02	1.00	3.00	2.40
03	2.00	4.00	3.40
04	3.00	5.00	4.40
05	4.00	6.00	5.40
06	5.00	7.00	6.40
07	6.00	8.00	7.40
08	7.00	9.00	8.40
09	8.00	10.00	9.40
10	9.00	11.00	10.40
11	10.00	12.00	11.40
12	11.00	13.00	12.40

Poles	Dimensions(mm)		
	A	B	C
02	12.00	14.00	13.40
03	13.00	15.00	14.40
04	14.00	16.00	15.40
05	15.00	17.00	16.40
06	16.00	18.00	17.40
07	17.00	19.00	18.40
08	18.00	20.00	19.40
09	19.00	21.00	20.40
10	20.00	22.00	21.40
11	21.00	23.00	22.40
12	22.00	24.00	23.40

- X1002 H X-XX X-XX XX XX
- ① Series No.
  - ② Category: H-HSG
  - ③ Welding Board Angle: Blank-ordinary
  - ④ Row No.-Pin No.: XX-02P~24P
  - ⑤ Plug the Pin & special No.
  - ⑥ Material: PT-PBT N0-PA66 94V-0
  - ⑦ Color: Blank-natural color
  - ⑧ HF-Halogen Free ; Blank- Halogen

- Specifications :
- Voltage rating: 50V AC / DC
  - Current rating: 1A AC / DC
  - Withstanding voltage: 500V AC/minute
  - Temperature range: -25°C~+85°C
  - Insulation resistance: ≥100MΩ
  - Contact resistance: ≤20mΩ
  - After environmental testing: ≤40mΩ

## X-ON Electronics

Largest Supplier of Electrical and Electronic Components

*Click to view similar products for [Headers & Wire Housings](#) category:*

*Click to view products by [XKB](#) manufacturer:*

Other Similar products are found below :

[95000-104TRLF](#) [10135584-644402LF](#) [DF62W-EP2022PCA](#) [95000-106TRLF](#) [DF62W-2022SCA](#) [DF62W-EP2022PC](#) [2203348](#) [DF62W-2022SC](#) [1084018](#) [1029039](#) [1084017](#) [802-10-012-10-002000](#) [1112640](#) [1112639](#) [891-007-9SS-BST1T](#) [000-34000](#) [0008550134](#) [0009482033](#) [0009507031](#) [57102-F02-18ULF](#) [57102-S06-03LF](#) [57202-S52-04LF](#) [PCN6-15S-2.5E](#) [0039019024](#) [58102-G61-06LF](#) [582553-1](#) [0009485154](#) [0009508121](#) [0022285053](#) [0050291907](#) [018731A](#) [LY20-4P-DT1-P1E-BR](#) [02.125.8002.8](#) [60101931](#) [60598-1 \(Cut Strip\)](#) [M1625-3R/100](#) [61062-3](#) [61082-181009](#) [CSU011177004](#) [636-1427](#) [638009-1](#) [641938-9](#) [641991-4](#) [644168-1](#) [644827-2](#) [647662-1](#) [65039-019ELF](#) [65692-001LF](#) [65781-018](#) [65781-047](#)