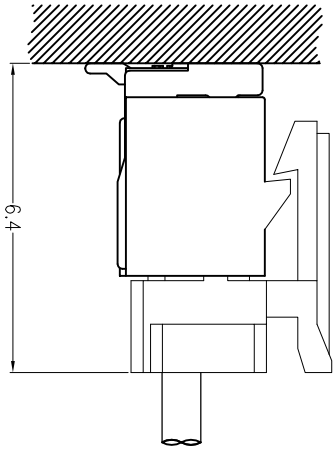
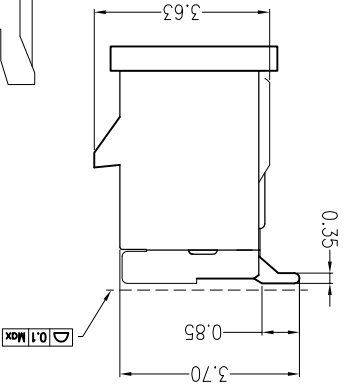
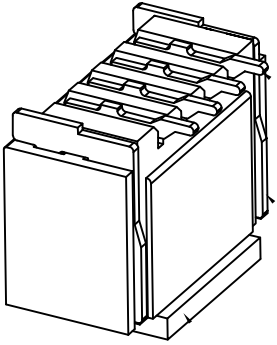
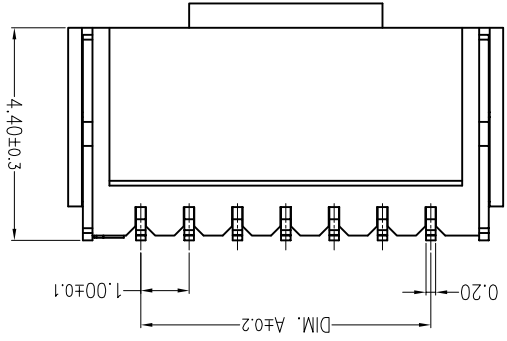
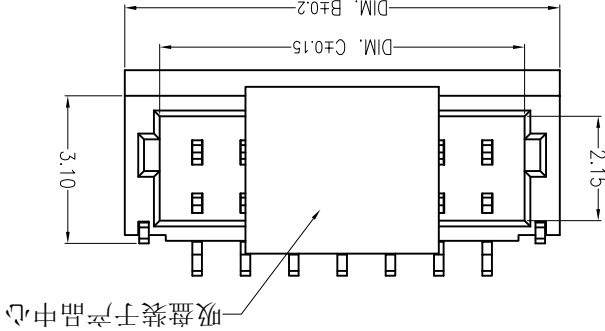
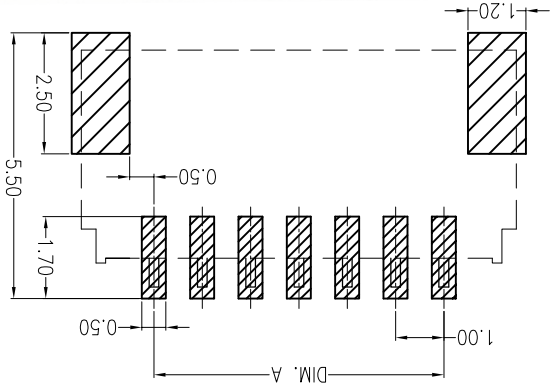


RECOMMEND PCB LAYOUT
 For and on behalf of
XKB INDUSTRIAL PRECISION CO., LIMITED
 香港星坤工業精密有限公司

REVISIONS
 Authorized Signatures(s)

MARK	DESCRIPTION	DATE	REVISED	APPROVED	UNSPECIFIED TOLERANCES
△ X					$L > 63$
△ X					$16 < L \leq 63$
△ X					$4 < L \leq 16$
△ X					$L \leq 4$
					ANGULAR $\pm 5^\circ$

DATE	DATE	DATE	DATE	DATE	DATE	DATE	DATE
SCALE: N/A	VIEW:	UNIT: mm	SIZE: A4	WEIGHT: 1.0g	SHEET: 1/1	REVISION: A0	
MODEL TYPE: X1002WVS-XXL-LPSWHF	PART NO.: X1002WVS-XXL-LPSWHF	1.00mm Crimp Style Connectors		DWG NO.:			
DSND	DWN	CHKD	APPD	XKB INDUSTRIAL PRECISION CO., LIMITED			



PART NO	Material	Material(Pin And Solder Tabs)	Finish(Pin And Solder Tabs)	Suitable XKB Terminal
X1002WVS-XXL-HF-LPSW	Nylon 46 UL 94V-0	Brass	Tin-Plated	X1002H-L
X1002WVS-XXL-LPSWHF	Nylon 46 UL 94V-0	Brass	Tin-Plated	X1002H-L

Poles	Dimensions(mm)			Poles	Dimensions(mm)		
	A	B	C		A	B	C
02	1.00	4.00	2.50	10	9.00	12.00	10.50
03	2.00	5.00	3.50	11	10.00	13.00	11.50
04	3.00	6.00	4.50	12	11.00	14.00	12.50
05	4.00	7.00	5.50	13	12.00	15.00	13.50
06	5.00	8.00	6.50	14	13.00	16.00	14.50
07	6.00	9.00	7.50	15	14.00	17.00	15.50
08	7.00	10.00	8.50	16	15.00	18.00	16.50
09	8.00	11.00	9.50	20	19.00	22.00	20.50

- X1002 W V S-XX L-PSW-XX-XX
 ① ② ③ ④ ⑤ ⑥ ⑦ ⑧ ⑨ ⑩
 ⑪ Series No.
 ⑫ Category: W-water
 ⑬ Welding Board Angle: V-180°
 ⑭ Welding Way: S-SMT
 ⑮ Row No.-Pin No.: XX-Single row
 ⑯ Plug the Pin & Special NO.: L-With Lock
 ⑰ Material: LP-LCP 94V-0
 ⑱ Planting Category: SW-Matte Tin plating (Tin: 70u Min)
 ⑲ Color: Blank-natural color
 ⑳ HF-Halogen Free ; Blank-Halogen

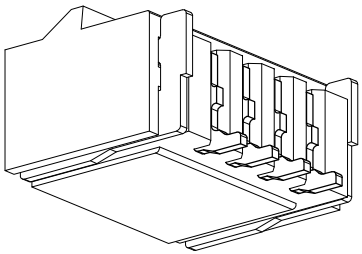
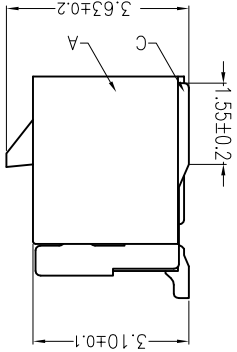
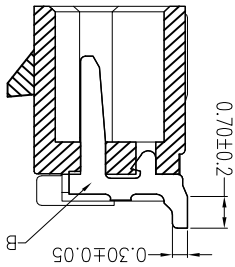
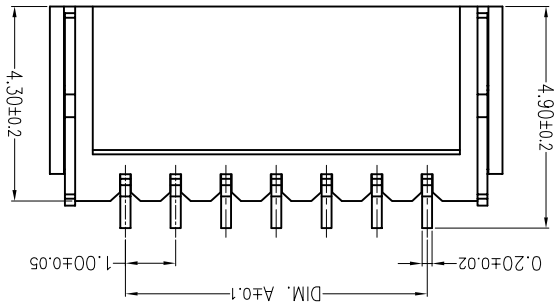
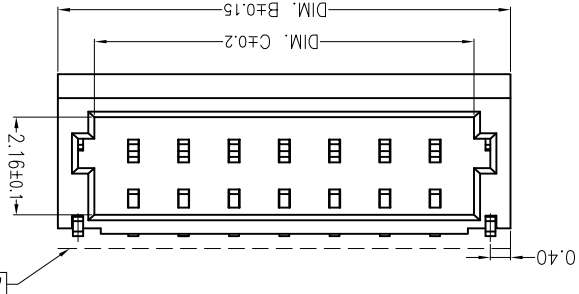
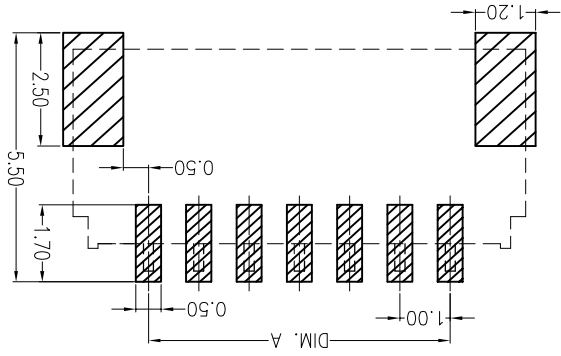
- Specifications :
- Voltage rating: 50V AC / DC
 - Current rating: 1A AC / DC
 - Withstanding voltage: 500V AC/minute
 - Temperature range: -25°C~+85°C
 - Insulation resistance: ≥100MΩ
 - Contact resistance: ≤20mΩ
 - After environmental testing: ≤40mΩ

For and on behalf of
KXB INDUSTRIAL PRECISION CO., LIMITED
 香港星坤工業精密有限公司

REVISIONS
 Authorized Signatures

MARK	DESCRIPTION	DATE	REVISED	APPROVED	UNSPECIFIED TOLERANCES
△ X					± 0.5
△ X					$16 < L \leq 63$
△ X					$4 < L \leq 16$
△ X					$L \leq 4$
					ANGULAR $\pm 5^\circ$

Recommend PCB Layout



PART NO	Material	Material (Pin And Solder Tabs)	Finish (Pin And Solder Tabs)	Suitable XKB Terminal
X1002WRS-XXL-LPSWHF	PA46 UL 94V-0	Brass	Bright tin plating	X 1002HL
X1002WRS-XXL-HF-LPSW	PA46 UL 94V-0	Brass	Bright tin plating	X 1002HL

Poles	Dimensions(mm)		Poles	Dimensions(mm)	
	A	B		C	A
02	1.00	4.00	10	9.00	12.00
03	2.00	5.00	11	10.00	13.00
04	3.00	6.00	12	11.00	14.00
05	4.00	7.00	13	12.00	15.00
06	5.00	8.00	14	13.00	16.00
07	6.00	9.00	15	14.00	17.00
08	7.00	10.00	16	15.00	18.00
09	8.00	11.00	20	19.00	22.00
					20.50

■ Specifications :

- Voltage rating: 50V AC / DC
- Current rating: 1A AC / DC
- Withstanding voltage: 500V AC/minute
- Temperature range: -25°C~+85°C
- Insulation resistance: ≥100MΩ
- Contact resistance: ≤20mΩ
- After environmental testing: ≤40mΩ

X1002 W R S-XX L-LPXX XX XX
 ① Series No.
 ② Category: W-water
 ③ Welding Board Angle: R-90°
 ④ Welding Way: S-SMT
 ⑤ Row No.-Pin No.: XX-02P~20P
 ⑥ Plug the Pin & Special No.: L-With Lock
 ⑦ Material: 6T-PA6T 94V-0; LP-LCP 94V-0;
 ⑧ 9T-PA9T 94V-0
 ⑨ Planting Category: SW-Matte Tin plating (Tin: 70u Min)
 ⑩ Color: Blank-natural color
 ⑪ HF-Halogen Free ; Blank-Halogen

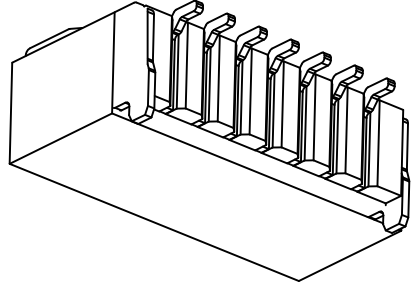
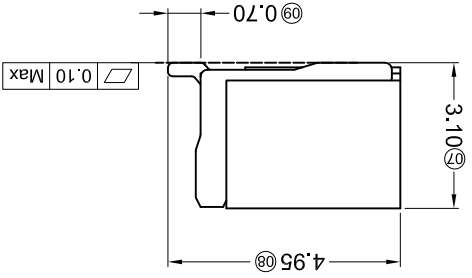
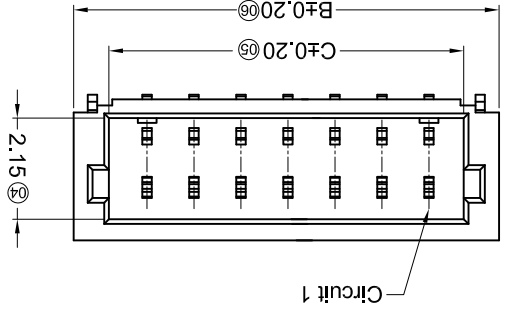
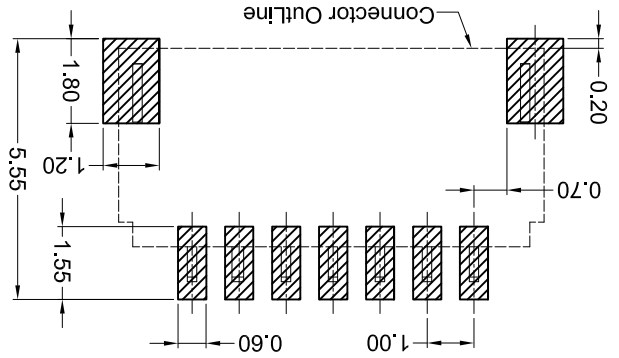
DSND	DATE	SCALE: N/A	MODEL TYPE: X1002WRS-XXL-LPSWHF
APPD	DATE	SIZE: A4	REVISION A0
CHKD	DATE	UNIT: mm	SHEET 1/1
DWN	DATE	VIEW:	WEIGHT 1.0g
			DWG NO.: 1.00 mm Crimp Shle Connectors
			PART NO.: X1002WRS-XXL-LPSWHF

KXB INDUSTRIAL PRECISION CO., LIMITED

For and on behalf of
XKB INDUSTRIAL PRECISION CO., LIMITED
 香港星坤工業精密有限公司

MARK	DESCRIPTION	DATE	REVISED	APPROVED	UNSPECIFIED TOLERANCES	
					L > 63	± 0.5
△ X					16 < L ≤ 63	± 0.4
△ X					4 < L ≤ 16	± 0.3
△ X					L ≤ 4	± 0.2
					ANGULAR	± 5°

REVISIONS	SIGNATURE(S)	
DATE	APPROVED	REVISED
DATE	APPROVED	REVISED
DATE	APPROVED	REVISED
DATE	APPROVED	REVISED

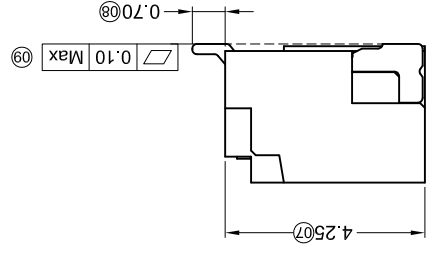
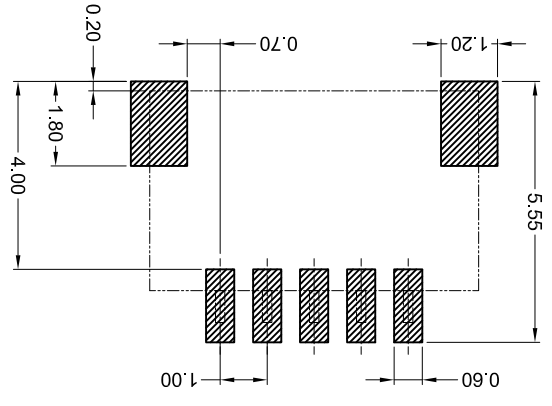
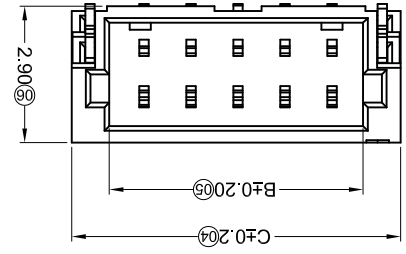
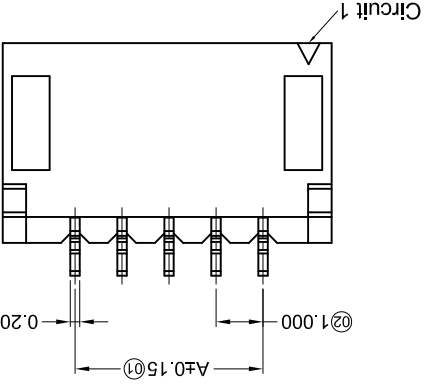


PART NO	Material	Material (Pth)	Material (Solder Tabs)	Finish (Pin and Solder Tabs)	Suitable XKB Terminal
X1002WRS-XXE-LPSWH	LCP UL 94V-0	Phosphor	Brass	Matte Tin	X1002H-L
X1002WRS-XXE-LPV01	LCP UL 94V-0	Phosphor	Brass	Matte Tin	X1002H-L
X1002WRS-XXE-LPSWH	LCP UL 94V-0	Phosphor	Brass	Tin-Plated	X1002H-L

Poles	Dimensions(mm)		
	A	B	C
02	1.00	4.00	2.50
03	2.00	5.00	3.50
04	3.00	6.00	4.50
05	4.00	7.00	5.50
06	5.00	8.00	6.50
07	6.00	9.00	7.50
08	7.00	10.00	8.50
09	8.00	11.00	9.50

X1002 W R S-XX E-LP XX XX X
 ① Series No.
 ② Category: W-wafer
 ③ Welding Board Angle: R-90°
 ④ Welding Way: S-SMT
 ⑤ Row No.-Pin No.: XX-02P~20P
 ⑥ Plug the Pin & Special No.: E-Ear clip
 ⑦ Material: LP-LCP 94V-0
 ⑧ Plating Category:
 V*:All Gold-Plated *01-Gold Flash
 SW-Fog Tin plating SN-Bright tin plating
 Color: Blank-natural color
 ⑩ HF-Halogen Free ; Blank-Halogen

- Specifications :
- Voltage rating: 50V AC / DC
 - Current rating: 1A AC / DC
 - Withstanding voltage: 500V AC/minute
 - Temperature range: -25°C~+85°C
 - Insulation resistance: ≥100MΩ
 - Contact resistance: ≤20mΩ
 - After environmental testing: ≤40mΩ



Specifications :

- Voltage rating: 50V AC / DC
- Current rating: 1A AC / DC
- Withstanding voltage: 500V AC/minute
- Temperature range: -25°C~+85°C
- Insulation resistance: ≥100MΩ
- Contact resistance: ≤20mΩ
- After environmental testing: ≤40mΩ

X1002 W R S-XX X-LP SN XX

① Series No.

② Category: W-water

③ Welding Board Angle: R- Right Angle 90°

④ Welding Way: S-SMT

⑤ Row No.-Pin No.: XX-02P~22P

⑥ Plug the Pin & Special No.:

⑦ Material: LCP-LCP 94V-0

⑧ Plating Category: SN-Bright tin plating

⑨ Color: Blank-Natural Color

Poles	Dimensions(mm)		
	A	B	C
02	1.00	2.40	4.00
03	2.00	3.40	5.00
04	3.00	4.40	6.00
05	4.00	5.40	7.00
06	5.00	6.40	8.00
07	6.00	7.40	9.00
08	7.00	8.40	10.00
09	8.00	9.40	11.00
10	9.00	10.40	12.00
11	10.00	11.40	13.00
Poles			
Dimensions(mm)	Poles		
	A	B	C
02	12.00	13.40	15.00
04	13.00	14.40	16.00
05	14.00	15.40	17.00
06	15.00	16.40	18.00
07	16.00	17.40	19.00
08	17.00	18.40	20.00
09	18.00	19.40	21.00
10	19.00	20.40	22.00
11	21.00	22.40	24.00

PART NO	Material	Material(Fin And Solder Tabs)	Finish(Fin And Solder Tabs)	Suitable XKB Terminal
X1002WRS-XX-LP-SN	LCP UL 94V-0	Phosphor Bronze	Tin-Plated	X-1002H

For and on behalf of
XKB INDUSTRIAL PRECISION CO., LIMITED
 香港星洲工業精密有限公司

MARK	DESCRIPTION	DATE	REVISID	APPROVED	UNSPECIFIED TOLERANCES
△ X					±0.5
△ X					16 < L ≤ 63
△ X					4 < L ≤ 16
△ X					L ≤ 4
					ANGULAR ±5°

DSND	DATE	SCALE: N/A	MODEL TYPE: X1002WRS-XX-LP-SN
CHKD <th>DATE</th> <th>UNIT: mm</th> <th>DWG NO.:</th>	DATE	UNIT: mm	DWG NO.:
APPD <th>DATE</th> <th>SIZE: A4</th> <th>REVISION</th>	DATE	SIZE: A4	REVISION
			WEIGHT 1.0g
			SHEET 1/1
			REVISION A0

REVISIONS
 Authorized Signatures

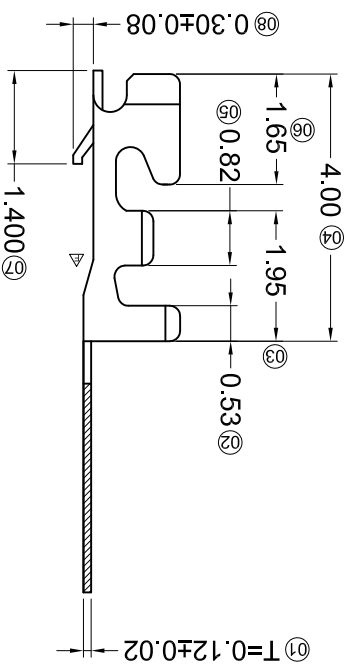
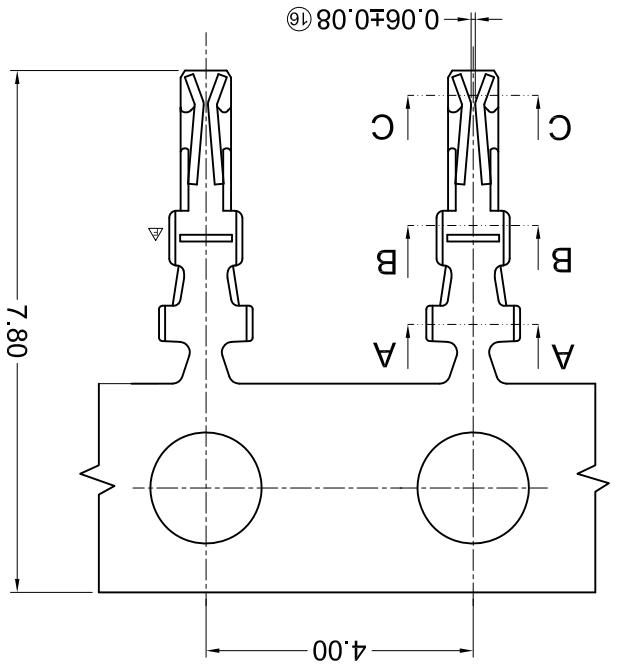
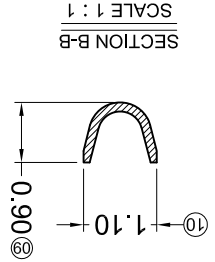
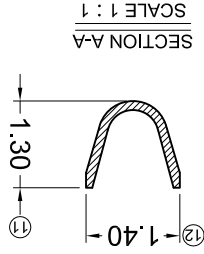
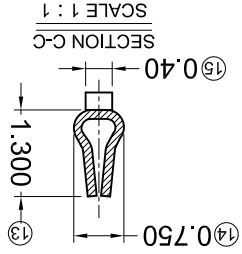
XKB INDUSTRIAL PRECISION CO., LIMITED

For and on behalf of
XKB INDUSTRIAL PRECISION CO., LIMITED
 香港星坤工業精密有限公司

MARK	DESCRIPTION	DATE	REVISED	APPROVED	UNSPECIFIED TOLERANCES
△ X					L > 63
△ X					16 < L ≤ 63
△ X					4 < L ≤ 16
					L ≤ 4
					ANGULAR
					± 5°

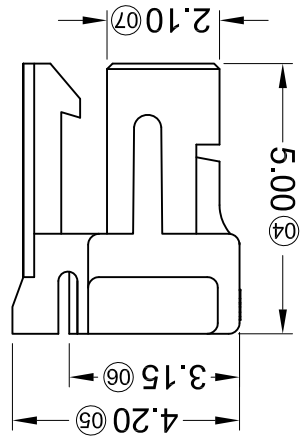
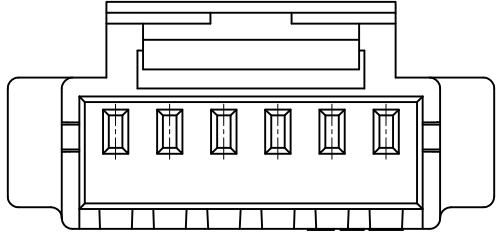
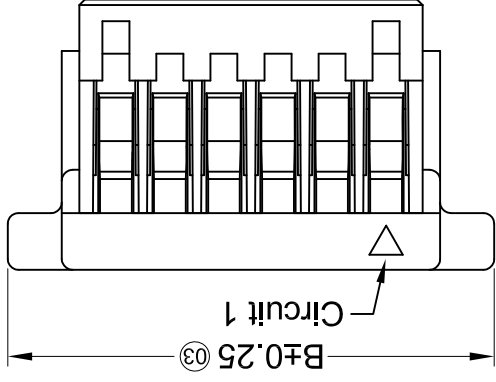
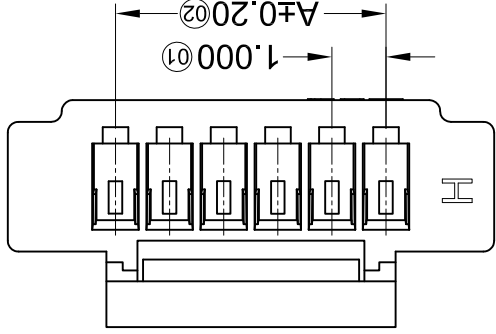
REVISIONS	Authorized Signatures(s)				
APPD	DATE	REVISIONS	DATE	DATE	DATE
CHKD	DATE	SIZE: A4	UNIT: mm	DWG NO.:	
DWN	DATE	VIEW:	PART NO.:	MODEL TYPE:	
DSND	DATE	SCALE: N/A			

PART NO	Material	Wire Range	Insulation O.D.	Finish	Suitable XKB Terminal
X1002T-PV03	Phosphor Bronze AWG#26-32 0.80mm(Max)			Stamping Before Plating:30~50u" Ni;Whole Gold :3u" Min.	
X1002T-PV01				Stamping Before Plating:30~50u" Ni;Whole Gold :3u" Min.	
X1002T-FSN2				Stamping Before Plating:50u" Min Ni;120u"Sn Min	
X1002T-FSN				Stamping Before Plating:30~50u" Ni;70~120u"Sn	



- ① Series Number
 X1002 T X-P XX X-X
 ② Category: T-terminal
 ③ Shape: Blank-ordinary
 ④ Material: P-Phosphor bronze
 ⑤ Plating style:
 V*-All Gold-Plated : *01-Gold Flash ; *03-3u"
 SN-Bright tin plating 70-120u"
 SN2-Bright tin plating 120u"Min. Ni : 50u" Min.
 ⑥ Plating method:
 Blank-Stamping before plating
 B-Plating before stamping
 ⑦ Mold No./Mark/Special No.

- Specifications :
- Voltage rating: 50V AC / DC
 - Current rating: 1A AC / DC
 - Withstanding voltage: 500V AC/minute
 - Temperature range: -25°C~+85°C
 - Insulation resistance: ≥100MΩ
 - Contact resistance: ≤20mΩ
 - After environmental testing: ≤40mΩ



For and on behalf of
 XKB INDUSTRIAL PRECISION CO., LIMITED
 香港星坤工業精密有限公司

REVISIONS
 Authorized Signature(s)

MARK	DESCRIPTION	DATE	REVISED	APPROVED	UNSPECIFIED TOLERANCES
△ X					L > 63 ±0.5
△ X					16 < L ≤ 63 ±0.4
△ X					4 < L ≤ 16 ±0.3
△ X					L ≤ 4 ±0.2
					ANGULAR ±5°

PART NO	Material	Suitable XKB Terminal	Suitable XKB Terminal
X1002H-XXL-N0XX	PA66 UL 94V-0	X1002T	X1002W-L

Poles	Dimensions(mm)		Poles	A	B
	A	B			
02	1.00	5.00	12	11.00	15.00
03	2.00	6.00	13	12.00	16.00
04	3.00	7.00	14	13.00	17.00
05	4.00	8.00	15	14.00	18.00
06	5.00	9.00	16	15.00	19.00
07	6.00	10.00	17	16.00	20.00
08	7.00	11.00	18	17.00	21.00
09	8.00	12.00	19	18.00	22.00
10	9.00	13.00	20	19.00	23.00
11	10.00	14.00			

X1002 H X-XX L-N0 XX
 ① Series No.
 ② Category: H-HSG
 ③ Welding Board Angle: Blank-ordinary
 ④ Row No.-Pin No.: XX-02P~12P
 ⑤ Plug the Pin & special No.: L-With Lock
 ⑥ Material: N0-PA66 94V-0
 ⑦ Color: Blank-Natural color ; BK-Black

- Specifications :
- Voltage rating: 50V AC / DC
 - Current rating: 1A AC / DC
 - Withstanding voltage: 500V AC/minute
 - Temperature range: -25°C~+85°C
 - Insulation resistance: ≥100MΩ
 - Contact resistance: ≤20mΩ
 - After environmental testing: ≤40mΩ

DATE	SCALE: N/A	MODEL TYPE: X1002H-XXL-N0XX
DNSD		
DWN		
CHKD		
APPD		
DATE		
DATE		
DATE		
VIEW:		
UNIT: mm		
SIZE: A4		
WEIGHT: 1.0g		
SHEET: 1/1		
REVISION: A0		

F

E

D

C

B

A

1

2

3

4

5

6

7

8

9

10

11

12

13

14

15

16

17

18

19

20

21

22

23

For and on behalf of
XKB INDUSTRIAL PRECISION CO., LIMITED
 香港星洲工業精密有限公司

REVISIONS
 Authorized Signatures(s)

MARK	DESCRIPTION	DATE	REVISED	APPROVED	UNSPECIFIED TOLERANCES
△ X					L > 63
△ X					16 < L ≤ 63
△ X					4 < L ≤ 16
					L ≤ 4
					ANGULAR
					± 5°

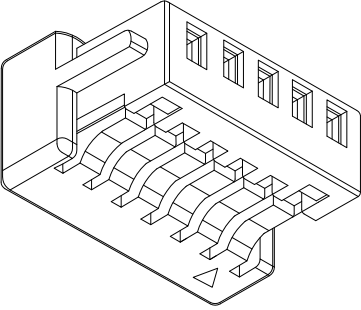
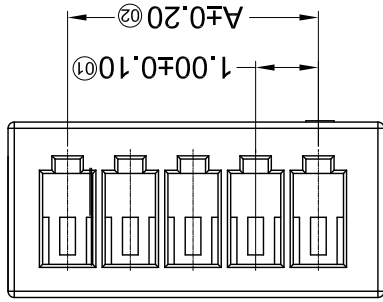
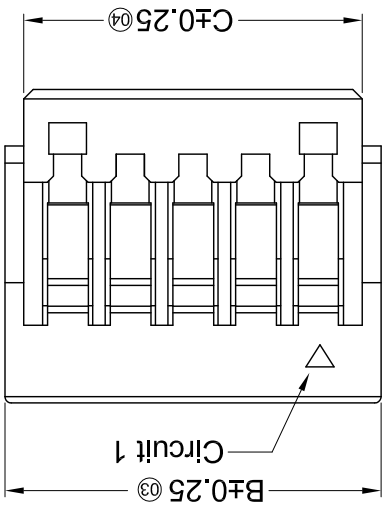
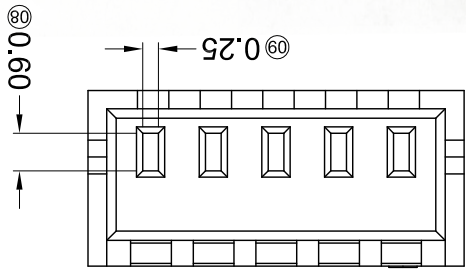
REVISION	SHEET	WEIGHT	1/1	1.0g
A0				

DATE	SCALE: N/A	MODEL TYPE: X1002H-XX-XXHF

DATE	VIEW:	PART NO.:

DATE	UNIT: mm	DWG NO.:

DATE	SIZE: A4



PART NO	Material	Suitable XKB Terminal
X1002H-XX-PT	PBT UL 94V-0	Suitable XKB Terminal
X1002H-XX-N0	PA66 UL 94V-0	
X1002H-XX-N0HF	PA66 UL 94V-0 Halogen Free	X1002W

Poles	Dimensions(mm)		
	A	B	C
02	1.00	3.00	2.40
03	2.00	4.00	3.40
04	3.00	5.00	4.40
05	4.00	6.00	5.40
06	5.00	7.00	6.40
07	6.00	8.00	7.40
08	7.00	9.00	8.40
09	8.00	10.00	9.40
10	9.00	11.00	10.40
11	10.00	12.00	11.40
12	11.00	13.00	12.40

Poles	Dimensions(mm)		
	A	B	C
02	12.00	14.00	13.40
03	13.00	15.00	14.40
04	14.00	16.00	15.40
05	15.00	17.00	16.40
06	16.00	18.00	17.40
07	17.00	19.00	18.40
08	18.00	20.00	19.40
09	19.00	21.00	20.40
10	20.00	22.00	21.40
11	21.00	23.00	22.40
12	22.00	24.00	23.40

- Specifications :**
- Voltage rating: 50V AC / DC
 - Current rating: 1A AC / DC
 - Withstanding voltage: 500V AC/minute
 - Temperature range: -25°C~+85°C
 - Insulation resistance: ≥100MΩ
 - Contact resistance: ≤20mΩ
 - After environmental testing: ≤40mΩ
- X1002 H X-XX X-XX XX XX
- ① Series No.
 - ② Category: H-HSG
 - ③ Welding Board Angle: Blank-ordinary
 - ④ Row No.-Pin No.: XX-02P~24P
 - ⑤ Plug the Pin & special No.
 - ⑥ Material: PT-PBT N0-PA66 94V-0
 - ⑦ Color: Blank-natural color
 - ⑧ HF-Halogen Free ; Blank- Halogen

X-ON Electronics

Largest Supplier of Electrical and Electronic Components

Click to view similar products for [Headers & Wire Housings](#) category:

Click to view products by [XKB](#) manufacturer:

Other Similar products are found below :

[95000-104TRLF](#) [10135584-644402LF](#) [DF62W-EP2022PCA](#) [95000-106TRLF](#) [DF62W-2022SCA](#) [DF62W-EP2022PC](#) [2203348](#) [DF62W-2022SC](#) [1084018](#) [1029039](#) [1084017](#) [802-10-012-10-002000](#) [1112640](#) [1112639](#) [891-007-9SS-BST1T](#) [000-34000](#) [0008550134](#) [0009482033](#) [0009507031](#) [57102-F02-18ULF](#) [57102-S06-03LF](#) [57202-S52-04LF](#) [PCN6-15S-2.5E](#) [0039019024](#) [58102-G61-06LF](#) [582553-1](#) [0009485154](#) [0009508121](#) [0022285053](#) [0050291907](#) [018731A](#) [LY20-4P-DT1-P1E-BR](#) [02.125.8002.8](#) [60101931](#) [60598-1 \(Cut Strip\)](#) [M1625-3R/100](#) [61062-3](#) [61082-181009](#) [CSU011177004](#) [636-1427](#) [638009-1](#) [641938-9](#) [641991-4](#) [644168-1](#) [644827-2](#) [647662-1](#) [65039-019ELF](#) [65692-001LF](#) [65781-018](#) [65781-047](#)