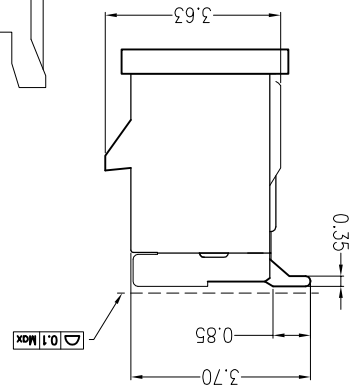
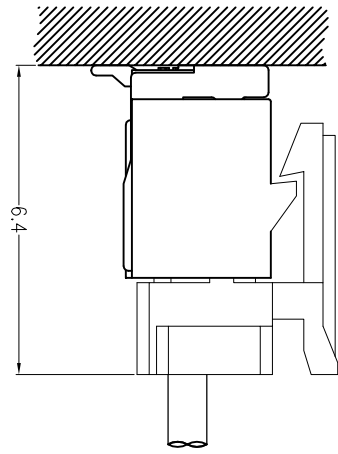
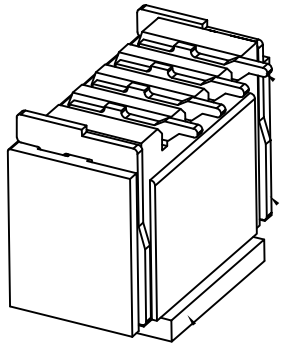
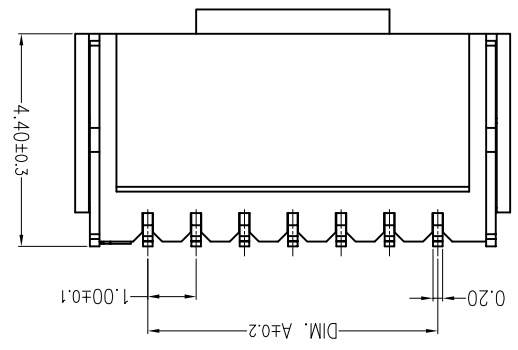
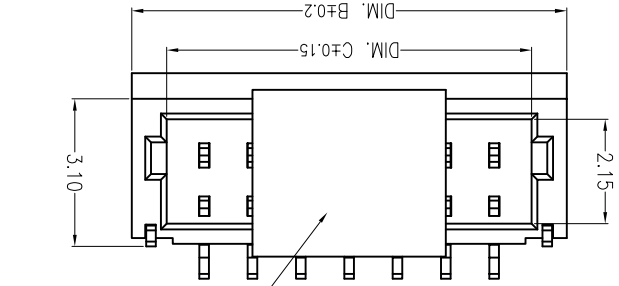
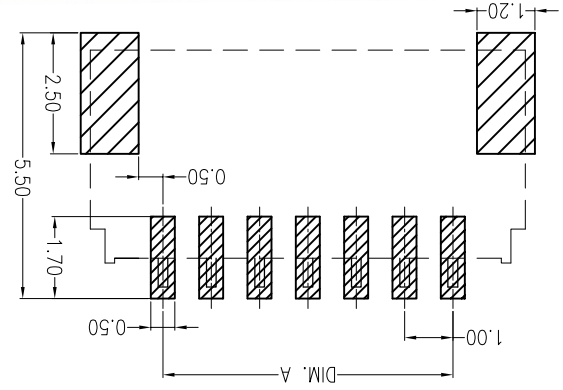


Recommend PCB Layout
for and on behalf of
XKB INDUSTRIAL PRECISION CO., LIMITED
香港星坤工業精密有限公司

REVISIONS
(Authorized Signatures)

MARK	DESCRIPTION	DATE	REVISED	APPROVED	UNSPECIFIED TOLERANCES
△ X					± 0.5
△ X					$16 < L \leq 63$
△ X					$4 < L \leq 16$
					$L \leq 4$
					ANGULAR $\pm 5^\circ$

DSND	DATE	SCALE: N/A	MODEL TYPE: X1002WVS-XXL-HF-LPSW
APPD <td></td> <td>SIZE: A4</td> <td></td>		SIZE: A4	
CHKD <td></td> <td>UNIT: mm</td> <td>DWG NO.:</td>		UNIT: mm	DWG NO.:
DWN <td></td> <td>VIEW: </td> <td>PART NO.:</td>		VIEW:	PART NO.:
			1.00mm Crimp Style Connectors
			WEIGHT 1.0g
			SHEET 1/1
			REVISION A0



PART NO	Material	Solder (Pin And Solder Tabs)	Finish (Pin And Solder Tabs)	Suitable XKB Terminal
X1002WVS-XXL-HF-LPSW	Nylon 46 UL 94V-0	Brass	Tin-Plated	X1002H-L

Poles	Dimensions(mm)									
	A	B	C	Poles	A	B	C	A	B	C
02	1.00	4.00	2.50	10	9.00	12.00	13.00	10.50	11.50	10.50
03	2.00	5.00	3.50	11	10.00	13.00	14.00	11.50	12.50	11.50
04	3.00	6.00	4.50	12	11.00	14.00	15.00	12.50	13.50	12.50
05	4.00	7.00	5.50	13	12.00	15.00	16.00	13.50	14.50	13.50
06	5.00	8.00	6.50	14	13.00	16.00	17.00	14.50	15.50	14.50
07	6.00	9.00	7.50	15	14.00	17.00	18.00	15.50	16.50	15.50
08	7.00	10.00	8.50	16	15.00	18.00	19.00	16.50	17.50	16.50
09	8.00	11.00	9.50	20	19.00	22.00	20.50	20.50	21.50	20.50

- ① Series No.
 ② X1002WVS-XXL-HF-LPSW
 ③ ④ ⑤ ⑥ ⑦ ⑧ ⑨
 ⑩ Category: W-water
 ⑪ Welding Board Angle: V-180°
 ⑫ Welding Way: S-SMT
 ⑬ Row No.-Pin No.: XX-Single row
 ⑭ Plug the Pin & Special NO.: L-With Lock
 ⑮ Plug the Pin & Special NO.: HF-Halogen Free
 ⑯ Material: LP-LCP 94V-0
 ⑰ Plating Category: SN-Bright tin plating

- Specifications:**
 • Voltage rating: 50V AC / DC
 • Current rating: 1A AC / DC
 • Withstanding voltage: 500V AC/minute
 • Temperature range: -25°C~+85°C
 • Insulation resistance: ≥100MΩ
 • Contact resistance: ≤20mΩ
 • After environmental testing: ≤40mΩ

X-ON Electronics

Largest Supplier of Electrical and Electronic Components

Click to view similar products for [Headers & Wire Housings](#) category:

Click to view products by [XKB](#) manufacturer:

Other Similar products are found below :

[95000-104TRLF](#) [10135584-644402LF](#) [DF62W-EP2022PCA](#) [95000-106TRLF](#) [DF62W-2022SCA](#) [DF62W-EP2022PC](#) [2203348](#) [DF62W-2022SC](#) [1084018](#) [1029039](#) [1084017](#) [802-10-012-10-002000](#) [1112640](#) [1112639](#) [891-007-9SS-BST1T](#) [000-34000](#) [0008550134](#) [0009482033](#) [0009507031](#) [57102-F02-18ULF](#) [57102-S06-03LF](#) [57202-S52-04LF](#) [PCN6-15S-2.5E](#) [0039019024](#) [58102-G61-06LF](#) [582553-1](#) [0009485154](#) [0009508121](#) [0022285053](#) [0050291907](#) [018731A](#) [LY20-4P-DT1-P1E-BR](#) [02.125.8002.8](#) [60101931](#) [60598-1 \(Cut Strip\)](#) [M1625-3R/100](#) [61062-3](#) [61082-181009](#) [CSU011177004](#) [636-1427](#) [638009-1](#) [641938-9](#) [641991-4](#) [644168-1](#) [644827-2](#) [647662-1](#) [65039-019ELF](#) [65692-001LF](#) [65781-018](#) [65781-047](#)