

Recommend PCB Layout
for and on behalf of
XKB INDUSTRIAL PRECISION CO., LIMITED
香港星坤工業精密有限公司

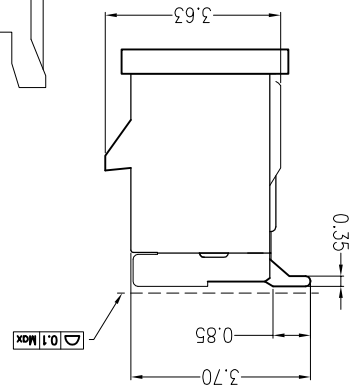
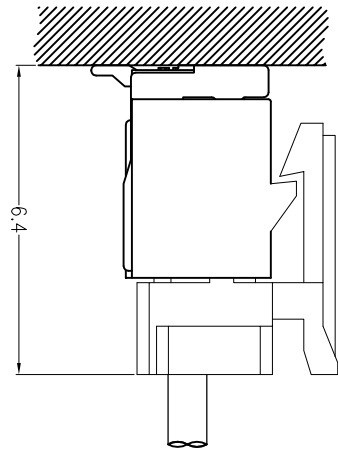
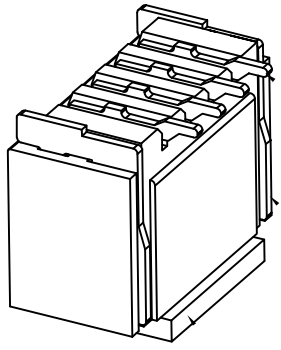
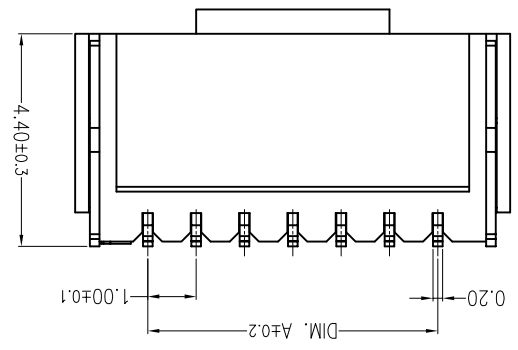
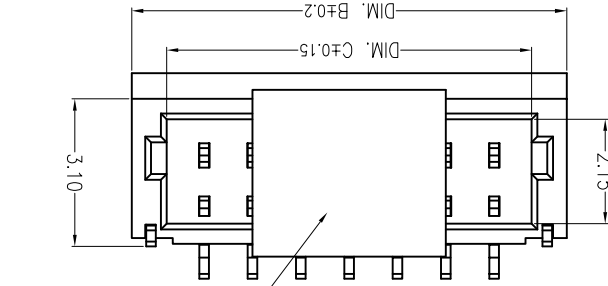
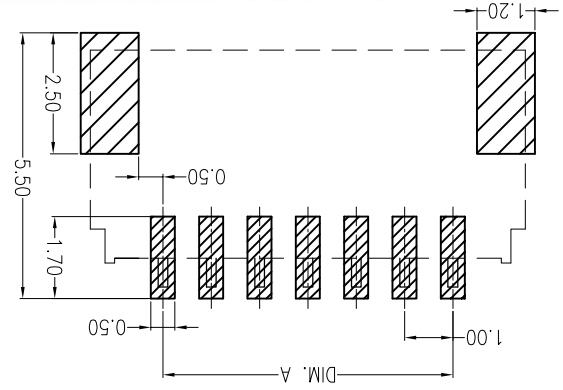
REVISIONS
(Authorized Signatures)

MARK	DESCRIPTION	DATE	REVISED	APPROVED	UNSPECIFIED TOLERANCES
△ X					± 0.5
△ X					$16 < L \leq 63$
△ X					$4 < L \leq 16$
△ X					$L \leq 4$
					ANGULAR $\pm 5^\circ$

MARK	DESCRIPTION	DATE	REVISED	APPROVED	UNSPECIFIED TOLERANCES
△ X					± 0.5
△ X					$16 < L \leq 63$
△ X					$4 < L \leq 16$
△ X					$L \leq 4$
					ANGULAR $\pm 5^\circ$

MARK	DESCRIPTION	DATE	REVISED	APPROVED	UNSPECIFIED TOLERANCES
△ X					± 0.5
△ X					$16 < L \leq 63$
△ X					$4 < L \leq 16$
△ X					$L \leq 4$
					ANGULAR $\pm 5^\circ$

DSND	DATE	SCALE: N/A	MODEL TYPE: X1002WVS-XXL-LPSWHF
DWN	DATE	VIEW:	PART NO.: X1002WVS-XXL-LPSWHF
CHKD	DATE	UNIT: mm	DWG NO.:
APPD	DATE	SIZE: A4	REVISION
			WEIGHT 1.0g
			SHEET 1/1
			REVISION A0



Poles	Dimensions(mm)			Poles	Dimensions(mm)		
	A	B	C		A	B	C
02	1.00	4.00	2.50	10	9.00	12.00	10.50
03	2.00	5.00	3.50	11	10.00	13.00	11.50
04	3.00	6.00	4.50	12	11.00	14.00	12.50
05	4.00	7.00	5.50	13	12.00	15.00	13.50
06	5.00	8.00	6.50	14	13.00	16.00	14.50
07	6.00	9.00	7.50	15	14.00	17.00	15.50
08	7.00	10.00	8.50	16	15.00	18.00	16.50
09	8.00	11.00	9.50	20	19.00	22.00	20.50

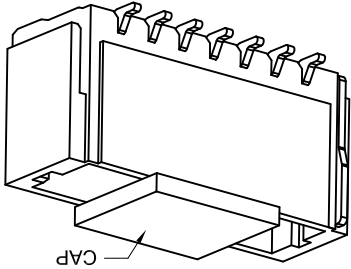
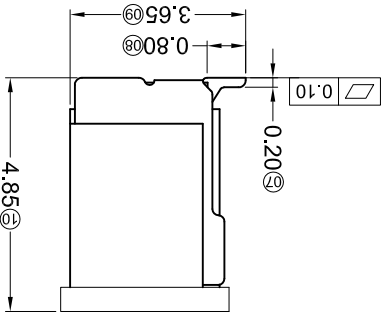
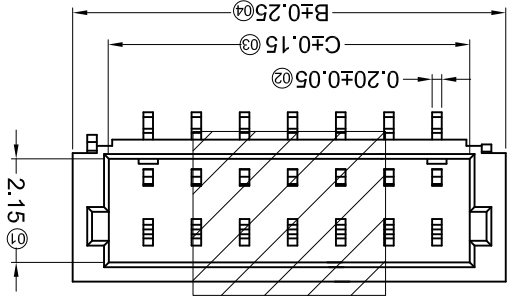
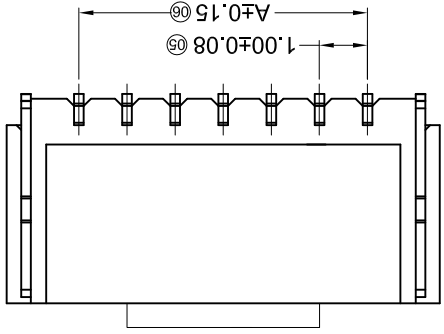
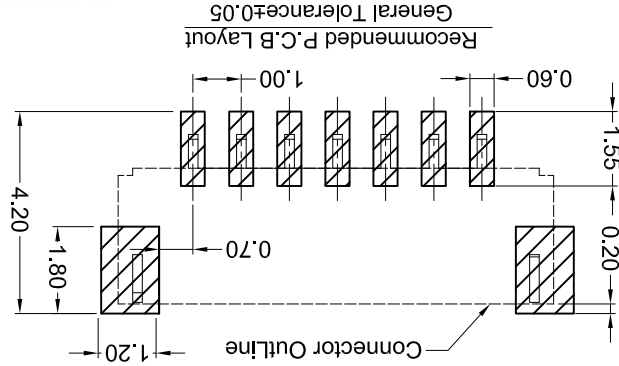
- Specifications:**
- Voltage rating: 50V AC / DC
 - Current rating: 1A AC / DC
 - Withstanding voltage: 500V AC/minute
 - Temperature range: -25°C~+85°C
 - Insulation resistance: ≥100MΩ
 - Contact resistance: ≤20mΩ
 - After environmental testing: ≤40mΩ
- ① Series No. X1002 W V S-XX L-PSW-XX-XX
 ①① ①② ①③ ①④ ①⑤ ①⑥ ①⑦ ①⑧ ①⑨ ①⑩
 ①⑪ Category: W-water
 ①⑫ Welding Board Angle: V-180°
 ①⑬ Welding Way: S-SMT
 ①⑭ Row No.-Pin No.: XX-Single row
 ①⑮ Plug the Pin & Special NO.: L-With Lock
 ①⑯ Material: LP-LCP 94V-0
 ①⑰ Planting Category: SW-Matte Tin plating (Tin: 70u Min)
 ①⑱ Color: Blank-natural color
 ①⑲ HF-Halogen Free ; Blank-Halogen

REVISIONS
Authorized Signature(s)

MARK	DESCRIPTION	DATE	REVISED	APPROVED	UNSPECIFIED TOLERANCES
△ X					L > 63 ± 0.5
△ X					16 < L ≤ 63 ± 0.4
△ X					4 < L ≤ 16 ± 0.3
△ X					L ≤ 4 ± 0.2
					ANGULAR ± 5°

For and on behalf of
XKB INDUSTRIAL PRECISION CO., LIMITED
香港星坤工業精密有限公司

DATE	DATE	DATE	DATE	DATE	DATE
DSND	DWN	CHKD	APPD		
SCALE: N/A	VIEW:	UNIT: mm	SIZE: A4	WEIGHT	REVISION
MODEL TYPE: X1002WVS-XXE-LPSWXX	PART NO.:	1.00mm Crimp Style Connectors	DWG NO.:	1.0g	A0



PART NO	Material	Material (Pin And Solder Tabs)	Material (Pin And Solder Tabs)	Suitable XKB Terminal
X1002WVS-XXE-LPSW	LCP UL 94V-0	Phosphor Bronze	Tin Plating Fog	X1002H
X1002WVS-XXE-LPSWHF	LCP UL 94V-0 Halogen Free			

Poles	Dimensions(mm)		
	A	B	C
02	1.00	4.00	2.50
03	2.00	5.00	3.50
04	3.00	6.00	4.50
05	4.00	7.00	5.50
06	5.00	8.00	6.50
07	6.00	9.00	7.50
08	7.00	10.00	8.50
09	8.00	11.00	9.50
10	9.00	12.00	10.50

- ① Series No.
② Category: W-water
③ Welding Board Angle: V-18°
④ Welding Way: S-SMT
⑤ Row No.-Pin No.: XX-02P~20P
⑥ Plug the Pin & Special NO.: E-Ear clip
⑦ Material: LP-LCP 94V-0
⑧ Plating Category: SW-Matte Tin plating (Tin: 70u Min)
⑨ Color: Blank-Natural color
⑩ HF-Halogen Free ; Blank-Halogen

X1002 W V S-XX E-LP SW XX XX

- Specifications :
- Voltage rating: 50V AC / DC
 - Current rating: 1A AC / DC
 - Withstanding voltage: 500V AC/minute
 - Temperature range: -25°C~+85°C
 - Insulation resistance: ≥100MΩ
 - Contact resistance: ≤20mΩ
 - After environmental testing: ≤40mΩ

Specifications :

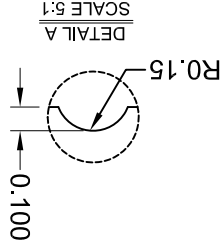
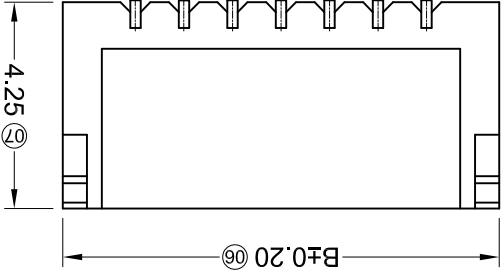
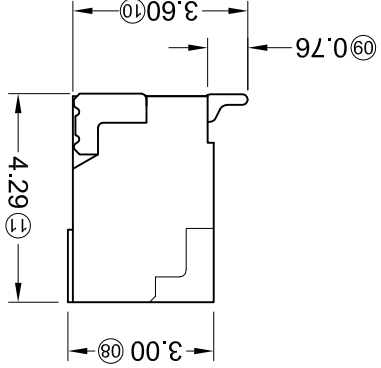
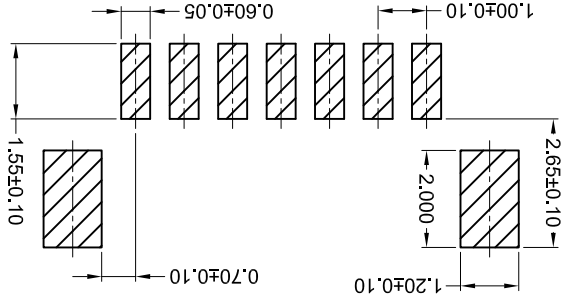
MARK		DESCRIPTION				REVISIONS					
△ X											
△ X											
△ X											
		香港星坤工業精密有限公司				<i>Authorized Signatures(s)</i>					

For and on behalf of
XKB INDUSTRIAL PRECISION CO., LIMITED

DSND	DATE	SCALE: N/A	MODEL TYPE: X1002WVS-XX-XXSN
DWN	DATE	VIEW:	PART NO.:
CHKD	DATE	UNIT: mm	DWG NO.:
APPD	DATE	SIZE: A4	
XKB INDUSTRIAL PRECISION CO., LIMITED			

WEIGHT	SHEET	REVISION
1.0g	1/1	A0

Recommend PCB Layout



PART NO	Material(Water And Cap)	Material(Fin And Solder Tabs)	Material(Fin And Solder Tabs)	Suitable XKB Terminal
X1002WVS-XXHF-LPSN	LCP UL 94V-0 Halogen Free	Phosphor Bronze Or Brass	Tin-Plated	X1002H
X1002WVS-XX-6T5N	Nylon 6T UL 94V-0	Phosphor Bronze Or Brass	Tin-Plated	X1002H

Poles	Dimensions(mm)		
	A	B	C
02	1.00	4.00	2.45
03	2.00	5.00	3.45
04	3.00	6.00	4.45
05	4.00	7.00	5.45
06	5.00	8.00	6.45
07	6.00	9.00	7.45
08	7.00	10.00	8.45
09	8.00	11.00	9.45
10	9.00	12.00	10.45
11	10.00	13.00	11.45
<hr/>			
	10.00	12.00	19.00
	9.00	11.00	18.00
	8.00	10.00	17.00
	7.00	9.00	16.00
	6.00	8.00	15.00
	5.00	7.00	14.00
	4.00	6.00	13.00
	3.00	5.00	12.00
	2.00	4.00	11.00
<hr/>			
Poles		A	B
		12	14
		13	15
		14	16
		15	17
		16	18
		17	19
		18	20
		19	21
		20	22
		21	23
		22	24
<hr/>			
	10.00	26.00	24.45
	9.00	25.00	23.45
	8.00	24.00	22.45
	7.00	23.00	21.45
	6.00	22.00	20.45
	5.00	21.00	19.45
	4.00	20.00	18.45
	3.00	19.00	17.45
	2.00	18.00	16.45
	1.00	17.00	15.45
	0.00	16.00	14.45
	0.00	15.00	13.45
	0.00	14.00	12.45
	0.00	13.00	11.45
	0.00	12.00	10.45
	0.00	11.00	9.45
	0.00	10.00	8.45
	0.00	9.00	7.45
	0.00	8.00	6.45
	0.00	7.00	5.45
	0.00	6.00	4.45
	0.00	5.00	3.45
	0.00	4.00	2.45
	0.00	3.00	1.45
	0.00	2.00	0.45
<hr/>			
	10.00	26.00	24.45

- ① Series No. X1002 W V S-XX X-XX XXX XX
- ② Category: W-water
- ③ Welding Board Angle: V- Straight 180°
- ④ Welding Way: S-SMT
- ⑤ Row No./Pin No.: XX-02P~24P
- ⑥ Plug the Pin & Special No.
- ⑦ Material: 6T-PA6T 94V-0 ; LP-LCP 94V-0;
- ⑧ Planting Category: SN-Bright tin plating
- ⑨ Color: Blank-Natural Color

- #### ■ Specifications :
- Voltage rating: 100V AC / DC
 - Current rating: 2A AC / DC
 - Withstanding voltage: 800V AC/minute
 - Temperature range: -25°C~+85°C
 - Insulation resistance: ≥1000MΩ
 - Contact resistance: ≤20mΩ
 - After environmental testing: ≤30mΩ

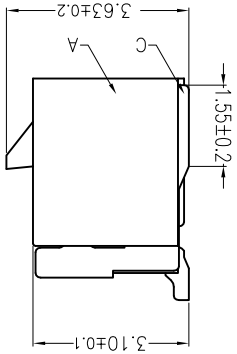
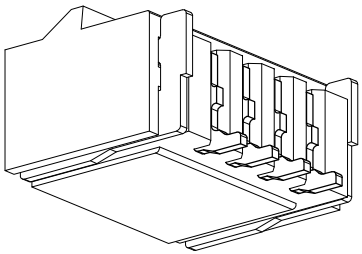
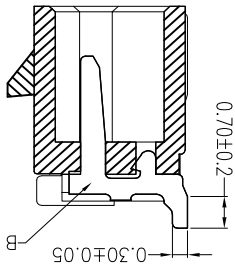
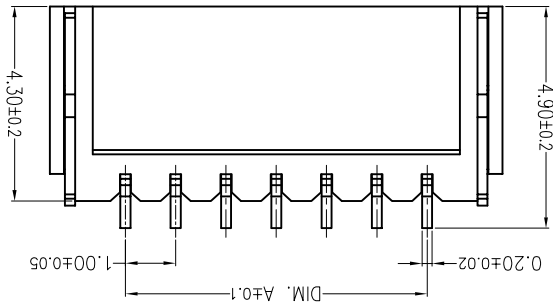
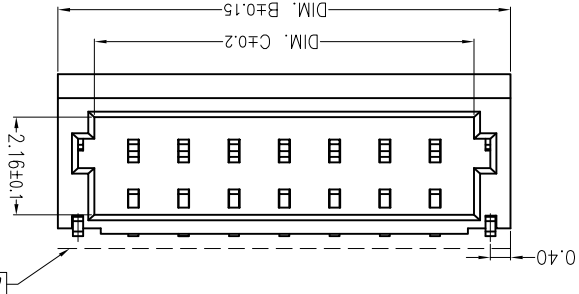
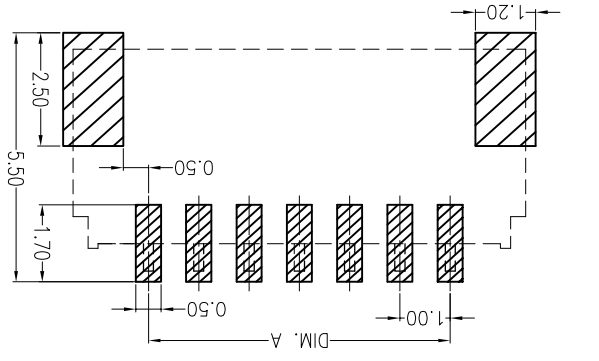
For and on behalf of
KXB INDUSTRIAL PRECISION CO., LIMITED
 香港星坤工業精密有限公司

Authorized Signatures

MARK	DESCRIPTION	DATE	REVISED	APPROVED	UNSPECIFIED TOLERANCES
△ X					± 0.5
△ X					$16 < L \leq 63$
△ X					$4 < L \leq 16$
△ X					$L \leq 4$
					ANGULAR $\pm 5^\circ$

DSND	DATE	SCALE: N/A	MODEL TYPE: X1002WRS-XXL-LPSWHF
DWN	DATE <td>VIEW: </td> <td>PART NO.: 1.00 mm Crimp Shle Connectors</td>	VIEW:	PART NO.: 1.00 mm Crimp Shle Connectors
CHKD	DATE <td>UNIT: mm</td> <td>DWG NO.:</td>	UNIT: mm	DWG NO.:
APPD	DATE <td>SIZE: A4</td> <td>WEIGHT: 1.0g</td>	SIZE: A4	WEIGHT: 1.0g
			SHEET: 1/1
			REVISION: A0

Recommend PCB Layout



PART NO	Material	Material (Pin And Solder Tabs)	Finish (Pin And Solder Tabs)	Suitable XKB Terminal
X1002WRS-XXL-LPSWHF	PA46 UL 94V-0	Brass	Bright tin plating	X 1002HL
X1002WRS-XXL-LPSWHF	PA46 UL 94V-0	Brass	Bright tin plating	X 1002HL

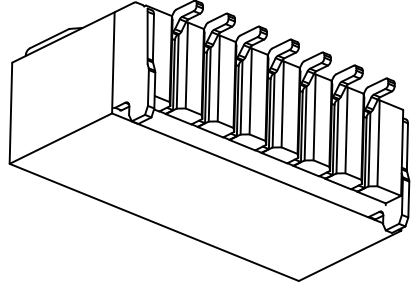
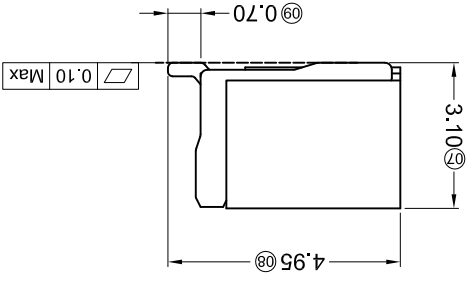
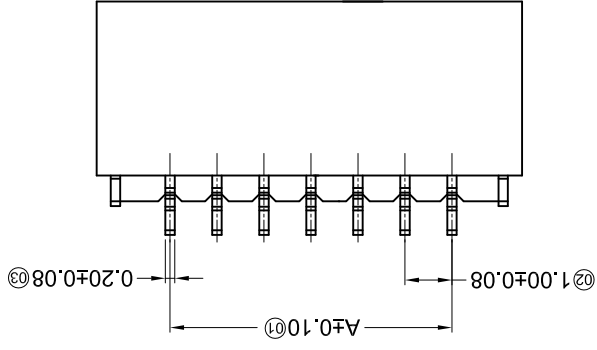
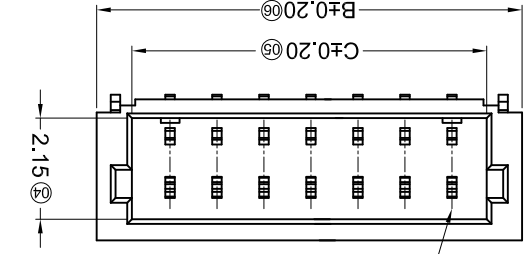
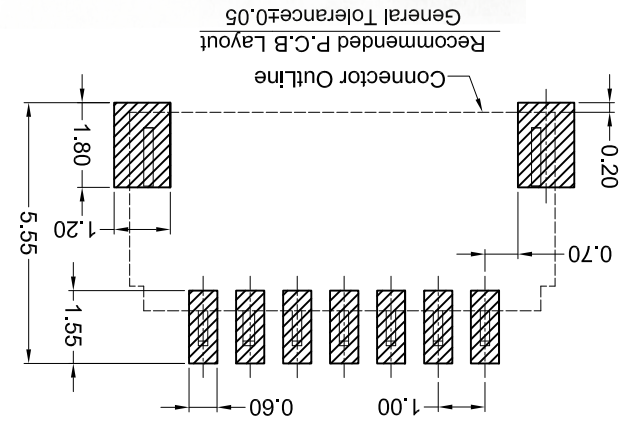
Poles	Dimensions(mm)		Poles	Dimensions(mm)	
	A	B		A	B
02	1.00	4.00	10	9.00	12.00
03	2.00	5.00	11	10.00	13.00
04	3.00	6.00	12	11.00	14.00
05	4.00	7.00	13	12.00	15.00
06	5.00	8.00	14	13.00	16.00
07	6.00	9.00	15	14.00	17.00
08	7.00	10.00	16	15.00	18.00
09	8.00	11.00	20	19.00	22.00
					20.50

Series No. 01 02 03 04 05 06 07 08 09 10
 X1002 W R S-XX L-LPXX XX XX

- ① Series No.
- ② Category: W-water
- ③ Welding Board Angle: R-90°
- ④ Welding Way: S-SMT
- ⑤ Row No.-Pin No.: XX-02P~20P
- ⑥ Plug the Pin & Special No.: L-With Lock
- ⑦ Material: 6T-PA6T 94V-0; LP-LCP 94V-0;
- ⑧ 9T-PA9T 94V-0
- ⑨ Planting Category: SW-Matte Tin plating (Tin: 70u Min)
- ⑩ Color: Blank-natural color
- ⑪ HF-Halogen Free ; Blank-Halogen

- Specifications :**
- Voltage rating: 50V AC / DC
 - Current rating: 1A AC / DC
 - Withstanding voltage: 500V AC/minute
 - Temperature range: -25°C~+85°C
 - Insulation resistance: ≥100MΩ
 - Contact resistance: ≤20mΩ
 - After environmental testing: ≤40mΩ

For and on behalf of
XKB INDUSTRIAL PRECISION CO., LIMITED
 香港星洲工業精密有限公司
 REVISIONS
Authorized Signatures(s)



MARK	DESCRIPTION	DATE	REVISED	APPROVED	UNSPECIFIED TOLERANCES
△ X					L > 63
△ X					16 < L ≤ 63
△ X					4 < L ≤ 16
					L ≤ 4
					ANGULAR ±5°

DWN	DATE	VIEW:	SCALE: N/A
CHKD	DATE	UNIT: mm	SIZE: A4
APPD	DATE		

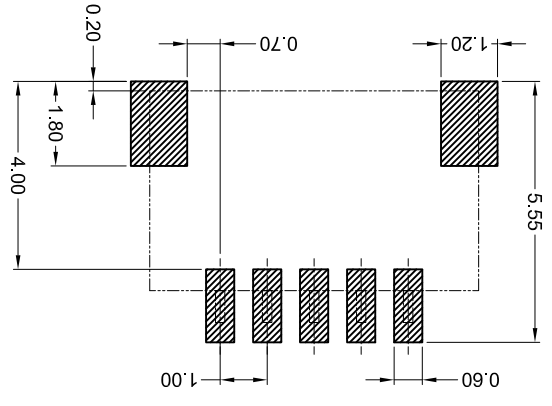
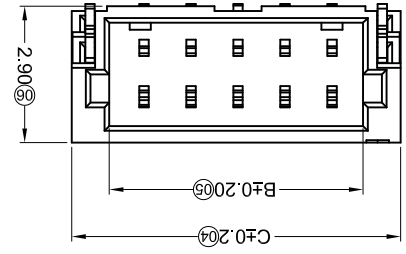
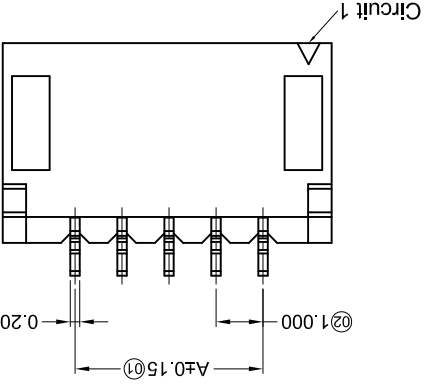
PART NO.	X1002WRS-XXE-LPSWHF
MODEL TYPE	X1002WRS-XXE-LPSWHF
PART NO.	X1002H-L
MODEL TYPE	X1002H-L

Poles	Dimensions(mm)		
	A	B	C
09	8.00	11.00	9.50
08	7.00	10.00	8.50
07	6.00	9.00	7.50
06	5.00	8.00	6.50
05	4.00	7.00	5.50
04	3.00	6.00	4.50
03	2.00	5.00	3.50
02	1.00	4.00	2.50
Poles	Dimensions(mm)		
	A	B	C
09	8.00	11.00	9.50
08	7.00	10.00	8.50
07	6.00	9.00	7.50
06	5.00	8.00	6.50
05	4.00	7.00	5.50
04	3.00	6.00	4.50
03	2.00	5.00	3.50
02	1.00	4.00	2.50

① Series No.
 ② Category: W-wafer
 ③ Welding Board Angle: R-90°
 ④ Welding Way: S-SMT
 ⑤ Row No.-Pin No.: XX-02P~20P
 ⑥ Plug the Pin & Special No.: E-Ear clip
 ⑦ Material: LP-LCP 94V-0
 ⑧ Plating Category:
 V*:All Gold-Plated *01-Gold Flash
 SW-Fog Tin plating SN-Bright tin plating
 Color: Blank-natural color
 ⑩ HF-Halogen Free ; Blank-Halogen

Specifications :
 ● Voltage rating: 50V AC / DC
 ● Current rating: 1A AC / DC
 ● Withstanding voltage: 500V AC/minute
 ● Temperature range: -25°C~+85°C
 ● Insulation resistance:≥100MΩ
 ● Contact resistance: ≤20mΩ
 ● After environmental testing: ≤40mΩ

REVISION	SHEET	WEIGHT	1.0g
REVISION	SHEET	WEIGHT	1.0g

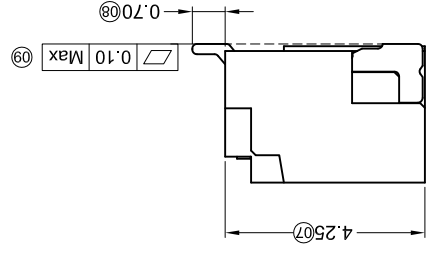


Recommended P.C.B Layout
General Tolerance±0.05

KXB INDUSTRIAL PRECISION CO., LIMITED
For and on behalf of
香港星坤工業精密有限公司

Authorized Signatures

MARK	DESCRIPTION	DATE	REVISD	APPROVED	UNSPCIFIED TOLERANCES
△ X					±0.5
△ X					16 < L ≤ 63
△ X					4 < L ≤ 16
△ X					L ≤ 4
					ANGULAR ±5°



Poles	Dimensions(mm)			Material	PART NO
	A	B	C		
02	1.00	2.40	4.00	LCP UL 94V-0	X1002WRS-XX-LP-SN
03	2.00	3.40	5.00		
04	3.00	4.40	6.00		
05	4.00	5.40	7.00		
06	5.00	6.40	8.00		
07	6.00	7.40	9.00		
08	7.00	8.40	10.00		
09	8.00	9.40	11.00		
10	9.00	10.40	12.00		
11	10.00	11.40	13.00		

Poles	Dimensions(mm)			Material	PART NO
	A	B	C		
02	1.00	12.40	14.00	Phosphor Bronze	X-1002H
03	11.00	13.40	15.00		
04	12.00	14.40	16.00		
05	13.00	15.40	17.00		
06	14.00	16.40	18.00		
07	15.00	17.40	19.00		
08	16.00	18.40	20.00		
09	17.00	19.40	21.00		
10	18.00	20.40	22.00		
11	19.00	21.40	22.40		

Series No. ① ② ③ ④ ⑤ ⑥ ⑦ ⑧ ⑨

X1002 W R S-XX X-LP SN XX

- ① Series No.
- ② Category: W-water
- ③ Welding Board Angle: R- Right Angle 90°
- ④ Welding Way: S-SMT
- ⑤ Row No.-Pin No.: XX-02P~22P
- ⑥ Plug the Pin & Special No.:
- ⑦ Material: LCP-LCP 94V-0
- ⑧ Plating Category: SN-Bright tin plating
- ⑨ Color: Blank-Natural Color

- Specifications :
- Voltage rating: 50V AC / DC
 - Current rating: 1A AC / DC
 - Withstanding voltage: 500V AC/minute
 - Temperature range: -25°C~+85°C
 - Insulation resistance: ≥100MΩ
 - Contact resistance: ≤20mΩ
 - After environmental testing: ≤40mΩ

DSND	DATE	SCALE: N/A	MODEL TYPE: X1002WRS-XX-LP-SN
CHKD	DATE <td>UNIT: mm <td>1.00 mm Crimp Style Connectors</td> </td>	UNIT: mm <td>1.00 mm Crimp Style Connectors</td>	1.00 mm Crimp Style Connectors
APPD	DATE <td>SIZE: A4 <td>DWG NO.:</td> </td>	SIZE: A4 <td>DWG NO.:</td>	DWG NO.:
REVISION	SHEET	WEIGHT	REVISION
	1/1	1.0g	A0

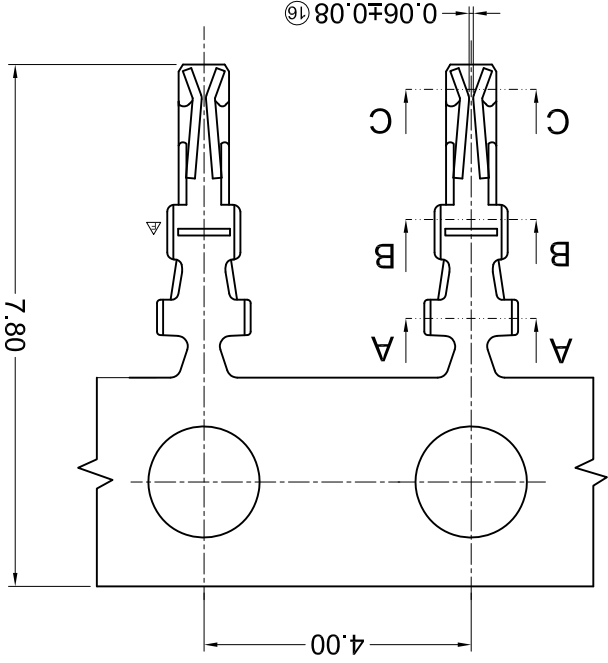
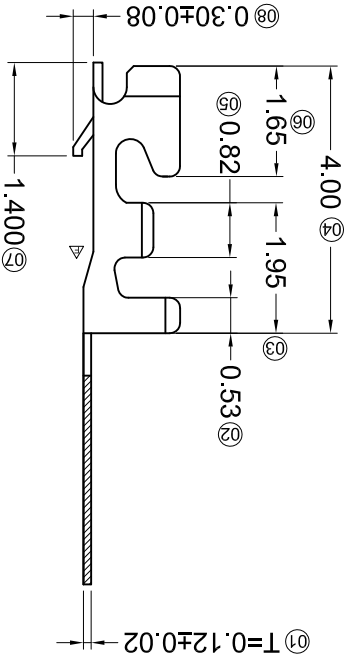
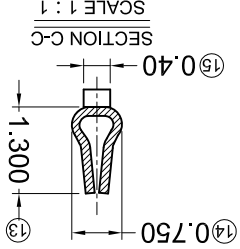
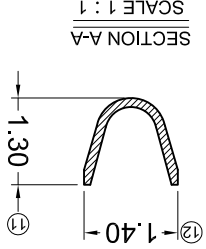
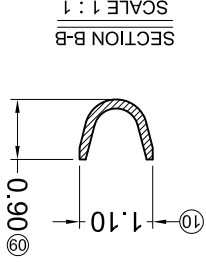
DSND	DATE	SCALE: N/A	MODEL TYPE: X1002WRS-XX-LP-SN
CHKD	DATE <td>UNIT: mm <td>1.00 mm Crimp Style Connectors</td> </td>	UNIT: mm <td>1.00 mm Crimp Style Connectors</td>	1.00 mm Crimp Style Connectors
APPD	DATE <td>SIZE: A4 <td>DWG NO.:</td> </td>	SIZE: A4 <td>DWG NO.:</td>	DWG NO.:
REVISION	SHEET	WEIGHT	REVISION
	1/1	1.0g	A0

For and on behalf of
XKB INDUSTRIAL PRECISION CO., LIMITED
 香港星坤工業精密有限公司

MARK	DESCRIPTION	DATE	REVISED	APPROVED	UNSPECIFIED TOLERANCES
△ X					L > 63
△ X					16 < L ≤ 63
△ X					4 < L ≤ 16
					L ≤ 4
					ANGULAR
					± 5°

REVISIONS	XKB INDUSTRIAL PRECISION CO., LIMITED				
APPD	DATE	SCALE: N/A	MODEL TYPE: X1002T-PXX	VIEW:	DATE
CHKD	DATE	UNIT: mm	PART NO.:	VIEW:	DATE
DWN	DATE	SCALE: N/A	MODEL TYPE: X1002T-PXX	VIEW:	DATE
		SIZE: A4	DWG NO.:		
		WEIGHT 1.0g	SHEET 1/1		
		REVISION			

PART NO	Material	Wire Range	Insulation O.D.	Finish	Suitable XKB Terminal
X1002T-PV03	Phosphor Bronze	AWG#26-32	0.80mm(Max)	Stamping Before Plating:30~50u" Ni;Whole Gold :5u" Min.	X1002H
X1002T-PV01				Stamping Before Plating:30~50u" Ni;Whole Gold :5u" Min.	
X1002T-FSN2				Stamping Before Plating:50u" Min Ni;120u"Sn Min	
X1002T-FSN				Stamping Before Plating:30~50u" Ni;70~120u"Sn	

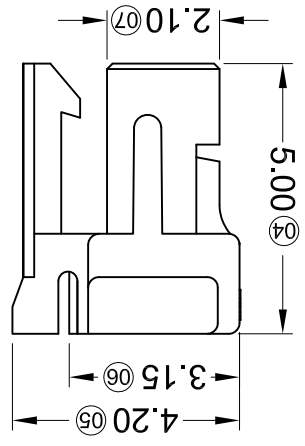
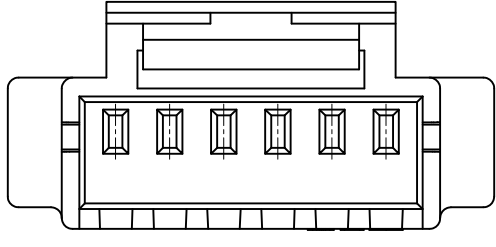
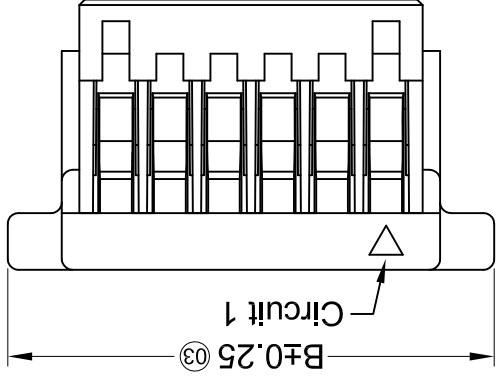
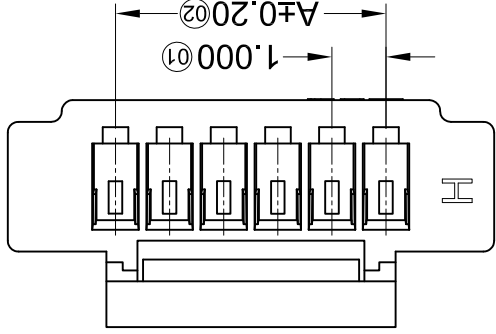


■ Specifications :

- Voltage rating: 50V AC / DC
- Current rating: 1A AC / DC
- Withstanding voltage: 500V AC/minute
- Temperature range: -25°C~+85°C
- Insulation resistance: ≥100MΩ
- Contact resistance: ≤20mΩ
- After environmental testing: ≤40mΩ

X1002 T X-P XX X-X
 ① ② ③ ④ ⑤ ⑥ ⑦

- ① Series Number
- ② Category: T-terminal
- ③ Shape: Blank-ordinary
- ④ Material: P-Phosphor bronze
- ⑤ Plating style: V*-All Gold-Plated ; *01-Gold Flash ; *03-3u" SN-Bright tin plating 70-120u" SN2-Bright tin plating 120u"Min. Ni ; 50u" Min.
- ⑥ Plating method: Blank-Stamping before plating B-Plating before stamping
- ⑦ Mold No./Mark/Special No.



For and on behalf of
XKB INDUSTRIAL PRECISION CO., LIMITED
 香港星坤工業精密有限公司

REVISIONS
 Authorized Signature(s)

MARK	DESCRIPTION	DATE	REVISED	APPROVED	UNSPECIFIED TOLERANCES
△ X					L > 63 ±0.5
△ X					16 < L ≤ 63 ±0.4
△ X					4 < L ≤ 16 ±0.3
△ X					L ≤ 4 ±0.2
					ANGULAR ±5°

PART NO	Material	Suitable XKB Terminal	Suitable XKB Terminal
X1002H-XXL-N0XX	PA66 UL 94V-0	X1002T	X1002W-L

Poles	Dimensions(mm)		Poles	A	B
	A	B			
02	1.00	5.00	12	11.00	15.00
03	2.00	6.00	13	12.00	16.00
04	3.00	7.00	14	13.00	17.00
05	4.00	8.00	15	14.00	18.00
06	5.00	9.00	16	15.00	19.00
07	6.00	10.00	17	16.00	20.00
08	7.00	11.00	18	17.00	21.00
09	8.00	12.00	19	18.00	22.00
10	9.00	13.00	20	19.00	23.00
11	10.00	14.00			

Specifications :

- Voltage rating: 50V AC / DC
- Current rating: 1A AC / DC
- Withstanding voltage: 500V AC/minute
- Temperature range: -25°C~+85°C
- Insulation resistance: ≥100MΩ
- Contact resistance: ≤20mΩ
- After environmental testing: ≤40mΩ

① Series No. X1002 H X-XX L-N0 XX

② Category: H-HSG

③ Welding Board Angle: Blank-ordinary

④ Row No.-Pin No.: XX-02P~12P

⑤ Plug the Pin & special No.: L-With Lock

⑥ Material: N0-PA66 94V-0

⑦ Color: Blank-Natural color ; BK-Black

DATE	SCALE: N/A	MODEL TYPE: X1002H-XXL-N0XX
DNSD		
DWN		
CHKD		
APPD		
DATE		
VIEW:		
UNIT: mm		
SIZE: A4		
DATE		
DATE		
REVISION		
SHEET	1/1	
WEIGHT	1.0g	
REVISION		A0

XKB INDUSTRIAL PRECISION CO., LIMITED

F

E

D

C

B

A

8

7

6

5

4

3

2

1

8

7

6

5

4

3

2

1

For and on behalf of
KXB INDUSTRIAL PRECISION CO., LIMITED
 香港星坤工業精密有限公司

REVISIONS
 Authorized Signature(s)

MARK	DESCRIPTION	DATE	REVISED	APPROVED	UNSPECIFIED TOLERANCES
△ X					L > 63 ±0.5
△ X					16 < L ≤ 63 ±0.4
△ X					4 < L ≤ 16 ±0.3
△ X					L ≤ 4 ±0.2
					ANGULAR ±5°

REVISION	SHEET	WEIGHT	SIZE	DATE	APPD
A0	1/1	1.0g	A4		

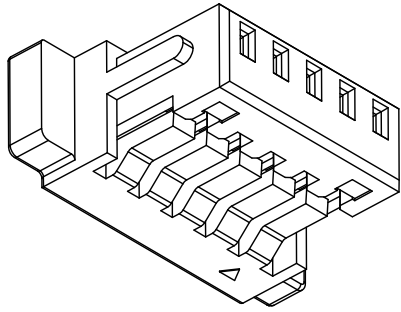
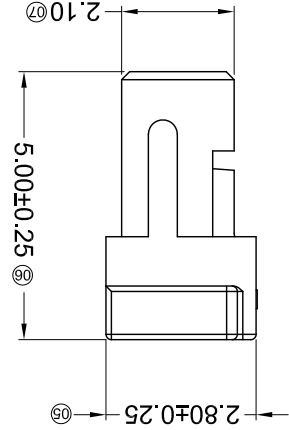
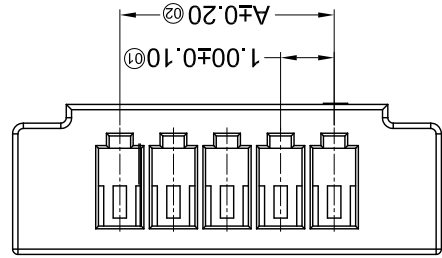
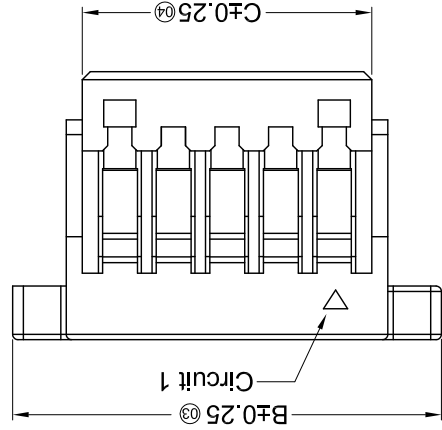
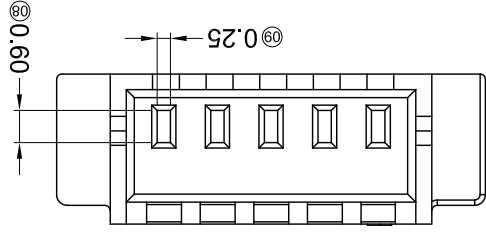
DATE	VIEW	UNIT	DATE	CHKD
	VIEW:	mm		

DATE	SCALE	DATE	DWNT
	N/A		

DATE	MODEL TYPE	DATE	DWND
	X1002H-XXE-XXHF		

DATE	PART NO.	DATE	APPD
	1.00 mm Crimp Style Connectors		

DATE	DWG NO.	DATE	CHKD



PART NO	Material	Suitable XKB Terminal
X1002H-XXE-PT	PBT UL 94V-0	Suitable XKB Terminal
X1002H-XXE-N0	PA66 UL 94V-0	Suitable XKB Terminal
X1002H-XXE-N0HF	Halogen Free PA66 UL 94V-0	Suitable XKB Terminal
X1002H-XXE-PGN0HF	Halogen Free P-640PG3G-NC(15%GF)	Suitable XKB Terminal

Poles	Dimensions(mm)		
	A	B	C
02	1.00	5.00	2.40
03	2.00	6.00	3.40
04	3.00	7.00	4.40
05	4.00	8.00	5.40
06	5.00	9.00	6.40
07	6.00	10.00	7.40
08	7.00	11.00	8.40
09	8.00	12.00	9.40
10	9.00	13.00	10.40
11	10.00	14.00	11.40
12	11.00	15.00	12.40

- ① Series No.
 ② Category: H-HSG
 ③ Welding Board Angle: Blank-ordinary
 ④ Row No.-Pin No.: XX-02P-24P
 ⑤ Plug the Pin & special No.: E-Have ears
 ⑥ Material: PT-PBT; N0-PA66 94V-0
 PGN0-P-640PG3G-NC(15%GF)
 ⑦ Color: Blank-natural color
 ⑧ HF- Halogen Free; Blank- Halogen
- X1002 H X-XX E-XX XX XX
 ① ② ③ ④ ⑤ ⑥ ⑦ ⑧

- Specifications :
- Voltage rating: 50V AC / DC
 - Current rating: 1A AC / DC
 - Withstanding voltage: 500V AC/minute
 - Temperature range: -25°C~+85°C
 - Insulation resistance: ≥100MΩ
 - Contact resistance: ≤20mΩ
 - After environmental testing: ≤40mΩ

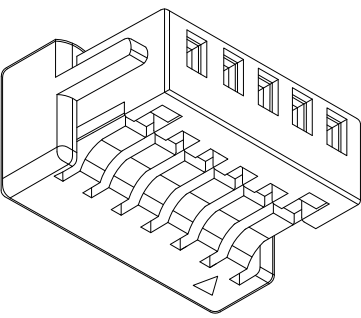
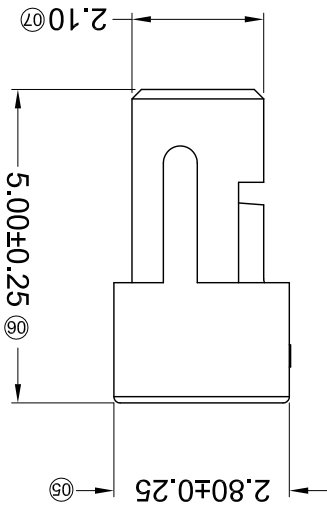
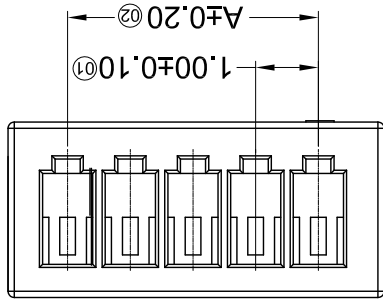
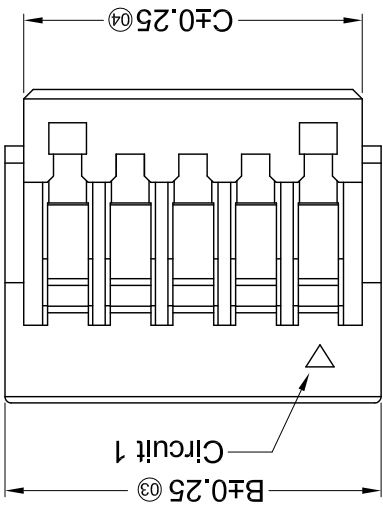
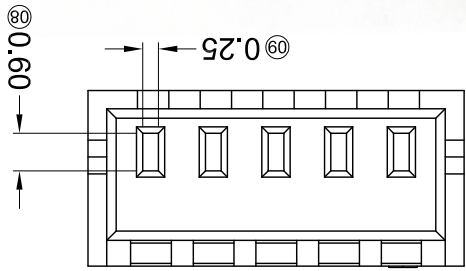
For and on behalf of
XKB INDUSTRIAL PRECISION CO., LIMITED
 香港星洲工業精密有限公司

REVISIONS
 Authorized Signatures(s)

MARK	DESCRIPTION	DATE	REVISED	APPROVED	UNSPECIFIED TOLERANCES
△ X					L > 63
△ X					16 < L ≤ 63
△ X					4 < L ≤ 16
					L ≤ 4
					ANGULAR
					±5°

REVISION	SHEET	WEIGHT	1/1	1.0g	8
XKB INDUSTRIAL PRECISION CO., LIMITED					7

DSND	DATE	SCALE: N/A	MODEL TYPE: X1002H-XX-XXHF
DWN	DATE <td>VIEW: </td> <td>PART NO.:</td>	VIEW:	PART NO.:
CHKD	DATE <td>UNIT: mm</td> <td>DWG NO.:</td>	UNIT: mm	DWG NO.:
APPD	DATE <td>SIZE: A4</td> <td></td>	SIZE: A4	



PART NO	Material	Suitable XKB Terminal
X1002H-XX-PT	PBT UL 94V-0	Suitable XKB Terminal
X1002H-XX-N0	PA66 UL 94V-0	X1002T
X1002H-XX-N0HF	PA66 UL 94V-0 Halogen Free	X1002W

Poles	Dimensions(m)		
	A	B	C
02	1.00	3.00	2.40
03	2.00	4.00	3.40
04	3.00	5.00	4.40
05	4.00	6.00	5.40
06	5.00	7.00	6.40
07	6.00	8.00	7.40
08	7.00	9.00	8.40
09	8.00	10.00	9.40
10	9.00	11.00	10.40
11	10.00	12.00	11.40
12	11.00	13.00	12.40

- Specifications :**
- Voltage rating: 50V AC / DC
 - Current rating: 1A AC / DC
 - Withstanding voltage: 500V AC/minute
 - Temperature range: -25°C~+85°C
 - Insulation resistance: ≥100MΩ
 - Contact resistance: ≤20mΩ
 - After environmental testing: ≤40mΩ
- X1002 H X-XX X-XX XX XX**
- ① Series No.
 - ② Category: H-HSG
 - ③ Welding Board Angle: Blank-ordinary
 - ④ Row No.-Pin No.: XX-02P~24P
 - ⑤ Plug the Pin & special No.
 - ⑥ Material: PT-PBT N0-PA66 94V-0
 - ⑦ Color: Blank-natural color
 - ⑧ HF-Halogen Free ; Blank- Halogen

X-ON Electronics

Largest Supplier of Electrical and Electronic Components

Click to view similar products for [Headers & Wire Housings](#) category:

Click to view products by [XKB](#) manufacturer:

Other Similar products are found below :

[95000-104TRLF](#) [10135584-644402LF](#) [DF62W-EP2022PCA](#) [95000-106TRLF](#) [DF62W-2022SCA](#) [DF62W-EP2022PC](#) [2203348](#) [DF62W-2022SC](#) [1084018](#) [1029039](#) [1084017](#) [802-10-012-10-002000](#) [1112640](#) [1112639](#) [891-007-9SS-BST1T](#) [000-34000](#) [0008550134](#) [0009482033](#) [0009507031](#) [57102-F02-18ULF](#) [57102-S06-03LF](#) [57202-S52-04LF](#) [PCN6-15S-2.5E](#) [0039019024](#) [58102-G61-06LF](#) [582553-1](#) [0009485154](#) [0009508121](#) [0022285053](#) [0050291907](#) [018731A](#) [LY20-4P-DT1-P1E-BR](#) [02.125.8002.8](#) [60101931](#) [60598-1 \(Cut Strip\)](#) [M1625-3R/100](#) [61062-3](#) [61082-181009](#) [CSU011177004](#) [636-1427](#) [638009-1](#) [641938-9](#) [641991-4](#) [644168-1](#) [644827-2](#) [647662-1](#) [65039-019ELF](#) [65692-001LF](#) [65781-018](#) [65781-047](#)