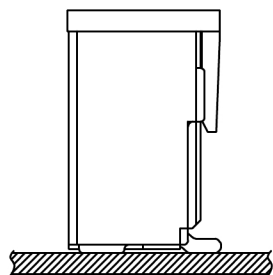
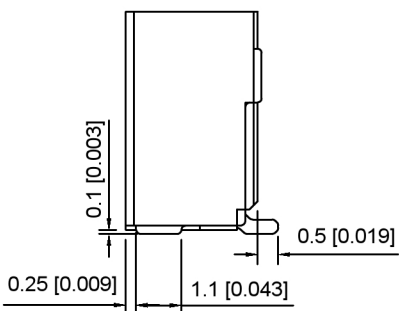
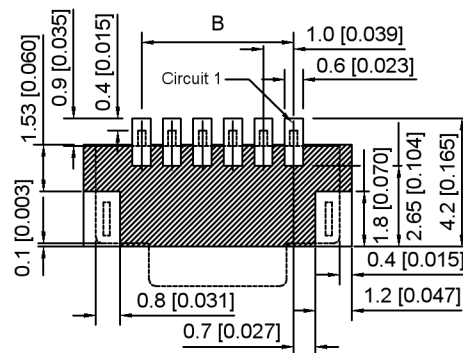


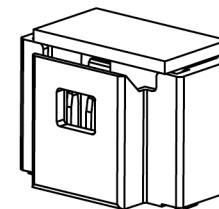
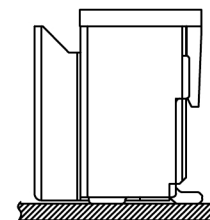
PICK AND PLACE AREA WITH CAP



X1004WVS-XXAHF-4TSW
02~05Pin



Recommended PCB Layout: ±0.05



X1004WVS-XXAHF-4TSW
06~15Pin

X1004WVS-XXAHF-4TSW	PA4T	Phosphor Bronze	X1004H-A
PART NO	Material	Material(Pin)	Suitable XKB Housing

Specifications:

规格:
Voltage rating:100V AC/DC
额定电压: 100V AC/DC
Current rating:1A AC/DC
额定电流: 1A AC/DC
Withstanding voltage:300V AC/minute
耐受电压: 300V AC/分钟
Temperature range:-40℃~+105℃
温度范围: -40℃~+105℃
Insulation resistance:≥100MΩ
绝缘电阻: ≥100MΩ
Contact resistance:≤20mΩ
接触电阻: ≤20mΩ

X1004 W V S - XX A HF - 4T SW
① ② ③ ④ ⑤ ⑥ ⑦ ⑧ ⑨

- 1.Series No
- 2.Category:W-Wafer
- 3.Welding Board Angle: V-Stright 180°
- 4.Welding Way:S-SMT
- 5.Row No.Pin No:XX-02-15 Pin
- 6.Special No:A-Inner Lock
- 7.HF-Halogen Free
- 8.Material:4T-PA4T UL94V-0
- 9.Plating:SW-Matte Tin Plating 100u" Min.overall, Ni 50u"Min.under Plating V01-Gold Flash overall,Ni 50u Min under Plating

Poles	Dimensions(mm)		
	A	B	C
02	4.00	1.00	2.45
03	5.00	2.00	3.45
04	6.00	3.00	4.45
05	7.00	4.00	5.45
06	8.00	5.00	6.45
07	9.00	6.00	7.45
08	10.00	7.00	8.45
09	11.00	8.00	9.45
10	12.00	9.00	10.45
11	13.00	10.00	11.45
12	14.00	11.00	12.45
13	15.00	12.00	13.45
14	16.00	13.00	14.45
15	17.00	14.00	15.45

DSND	SCALE: N/A	MODEL TYPE: 1.0mm Crimp Style Connector		
DWN	VIEW:	PART NO.: X1004WVS-XXAHF-4TSW		
CHKD	UNIT: mm/in	DWG NO.: X-X1004WVS-XXAHF-4TSW		
APPD	SIZE: A4	WEIGHT	SHEET	REVISION
XKB INDUSTRIAL PRECISION CO.,LIMITED			1/1	A0



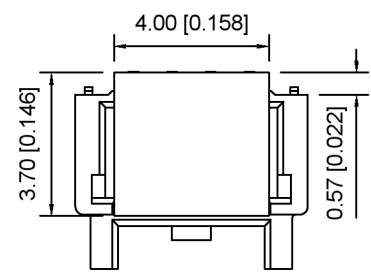
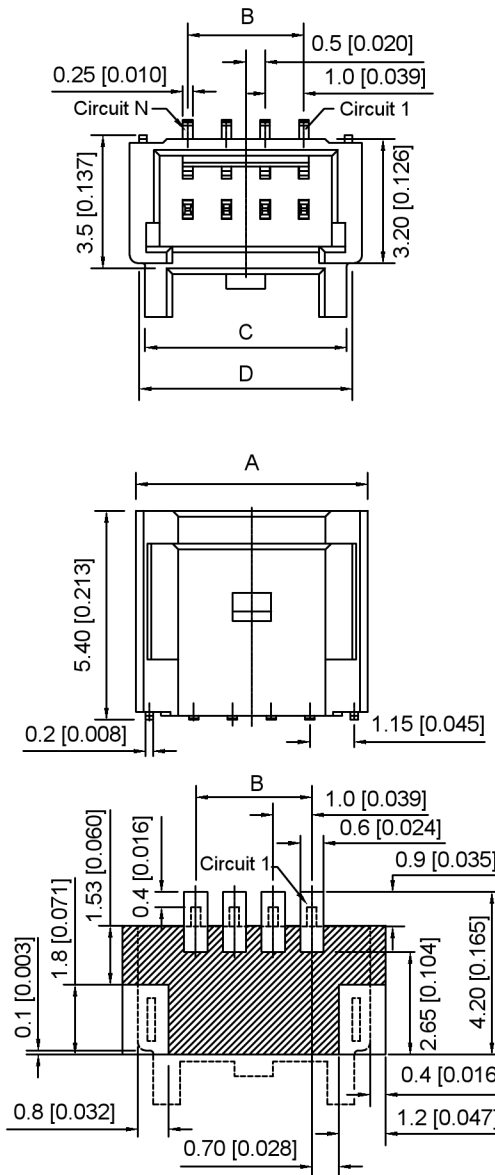
广东星坤科技股份有限公司

ΔX	日期
ΔX	日期
ΔX	日期
MARK	DESCRIPTION

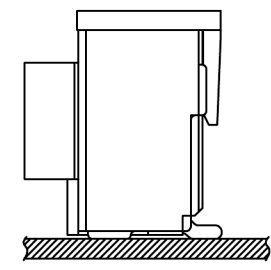
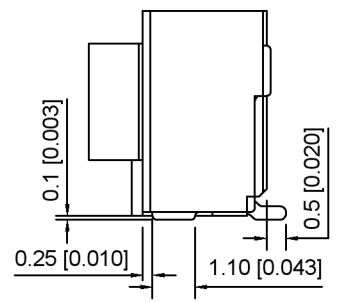
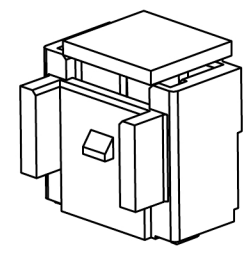
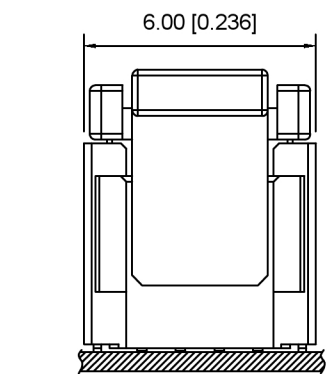
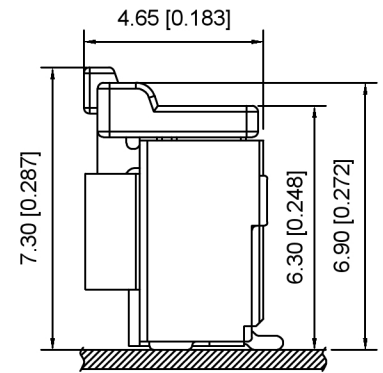
文件工程章

REVISIONS	UNSPECIFIED TOLERANCES
www.helloxkb.com www.helloxkb.cn www.xk-dg.cn	

ANGLAR	±5°
L ≤ 4	±0.2
4 < L ≤ 16	±0.3
16 < L ≤ 63	±0.4
L > 63	±0.5



PICK AND PLACE AREA WITH CAP



Specifications:
 规格:
 Voltage rating:100V AC/DC
 额定电压: 100V AC/DC
 Current rating:1A AC/DC
 额定电流: 1A AC/DC
 Withstanding voltage:300V AC/minute
 耐受电压: 300V AC/分钟
 Temperature range:-40°C-+105°C
 温度范围: -40°C-+105°C
 Insulation resistance:≥100MΩ
 绝缘电阻: ≥100MΩ
 Contact resistance:≤20mΩ
 接触电阻: ≤20mΩ

X1004 W V S - XX B HF - 4T SW
 ① ② ③ ④ ⑤ ⑥ ⑦ ⑧ ⑨

- Series No
- Category:W-Wafer
- Welding Board Angle: V-Stright 180°
- Welding Way:S-SMT
- Row No.Pin No:XX-02-15 Pin
- Special No:B-Outer Lock
- HF-Halogen Free
- Material:4T-PA4T UL94V-0
- Plating:SW-Matte Tin Plating 100u" Min.overall, Ni 50u"Min.under Plating
- V01-Gold Flash overall,Ni 50u Min under Plating

Poles	Dimensions(mm)			
	A	B	C	D
03	5.00	2.00	4.20	4.50
04	6.00	3.00	5.20	5.50
05	7.00	4.00	5.20	6.50

X1004WVS-XXBHF-4TSW	PA4T	Phosphor Bronze	X1004H-B
PART NO	Material	Material(Pin)	Suitable XKB Housing

Recommended PCB Layout :±0.05

广东星坤科技股份有限公司

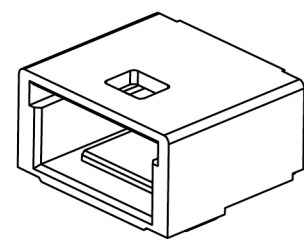
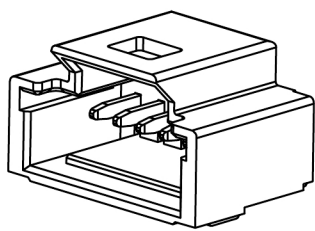
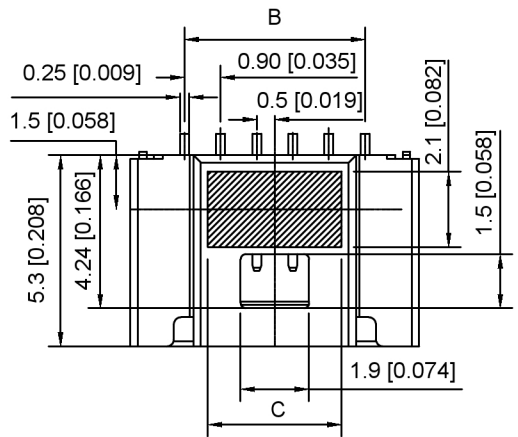
文件工程章

MARK	DESCRIPTION	DATE	REVISED	APPROVED	UNSPECIFIED TOLERANCES
Δx					ANGULAR ±5°
Δx					L ≤ 4 ±0.2
Δx					4 < L ≤ 16 ±0.3
					16 < L ≤ 63 ±0.4
					L > 63 ±0.5



XKB INDUSTRIAL PRECISION CO., LIMITED

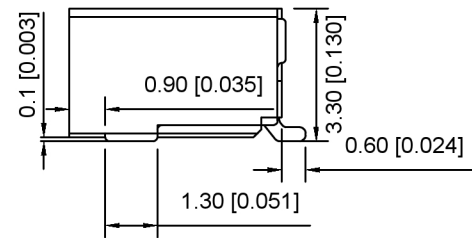
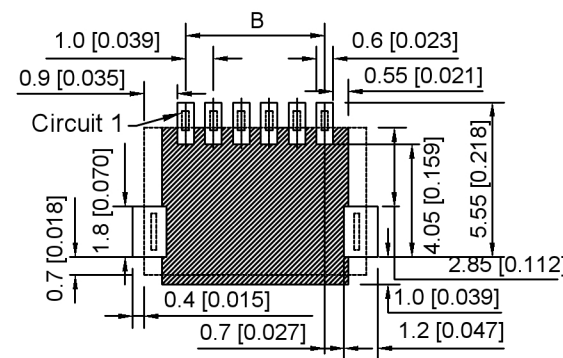
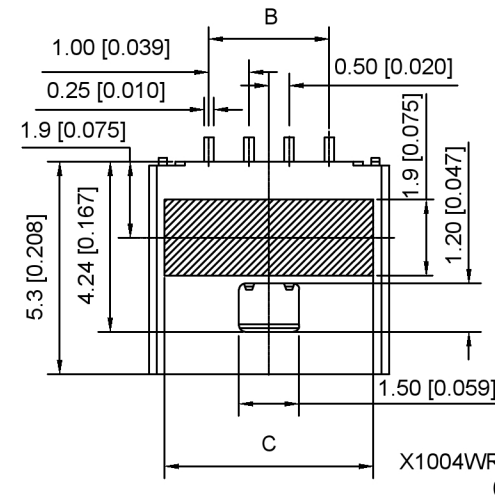
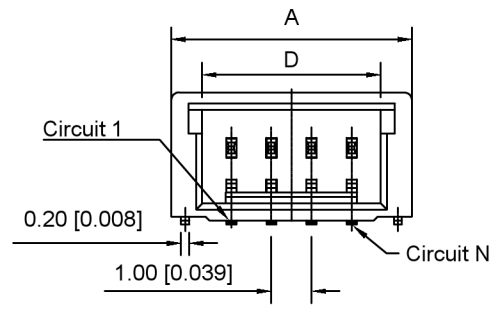
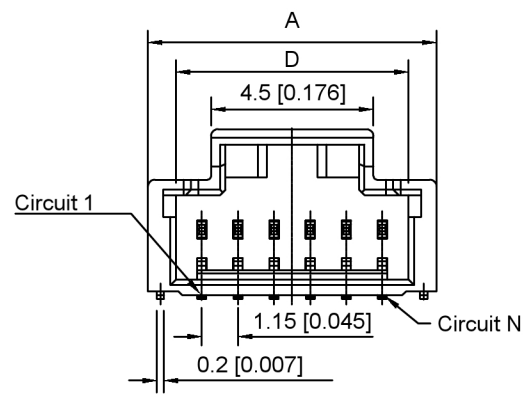
DSND	SCALE: N/A	MODEL TYPE: 1.0mm Crimp Style Connector
DWN	VIEW:	PART NO.: X1004WVS-XXBHF-4TSW
CHKD	UNIT: mm/in	DWG NO.: X-X1004WVS-XXBHF-4TSW
APPD	SIZE: A4	WEIGHT SHEET REVISION 1/1 A0



Specifications:
 规格:
 Voltage rating:100V AC/DC
 额定电压: 100V AC/DC
 Current rating:1A AC/DC
 额定电流: 1A AC/DC
 Withstanding voltage:300V AC/minute
 耐受电压: 300V AC/分钟
 Temperature range:-40°C~+105°C
 温度范围: -40°C~+105°C
 Insulation resistance:≥100MΩ
 绝缘电阻: ≥100MΩ
 Contact resistance:≤20mΩ
 接触电阻: ≤20mΩ

X1004 W R S - XX A HF - 4T SW
 ① ② ③ ④ ⑤ ⑥ ⑦ ⑧ ⑨

- Series No
- Category:W-Wafer
- Welding Board Angle: R-Stright 90°
- Welding Way:S-SMT
- Row No.Pin No:XX-02-15 Pin
- Special No:A-Inner Lock
- HF-Halogen Free
- Material:4T-PA4T UL94V-0
- Plating:SW-Matte Tin Plating 100u" Min.overall, Ni 50u"Min.under Plating V01-Gold Flash overall,Ni 50u Min under Plating



Poles	Dimensions(mm)			
	A	B	C	D
02	4.00	1.00	3.20	2.45
03	5.00	2.00	4.20	3.45
04	6.00	3.00	5.20	4.45
05	7.00	4.00	6.20	5.45
06	8.00	5.00		6.45
07	9.00	6.00		7.45
08	10.00	7.00		8.45
09	11.00	8.00		9.45
10	12.00	9.00		10.45
11	13.00	10.00		11.45
12	14.00	11.00		12.45
13	15.00	12.00		13.45
14	16.00	13.00		14.45
15	17.00	14.00		15.45

X1004WRS-XXAHF-4TSW	PA4T	Phosphor Bronze	X1004H-A
PART NO	Material	Material(Pin)	Suitable XKB Housing

Recommended PCB Layout:±0.05

X1004WRS-XXAHF-4T SW

广东星坤科技股份有限公司

日期

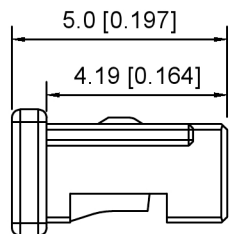
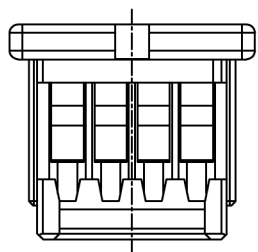
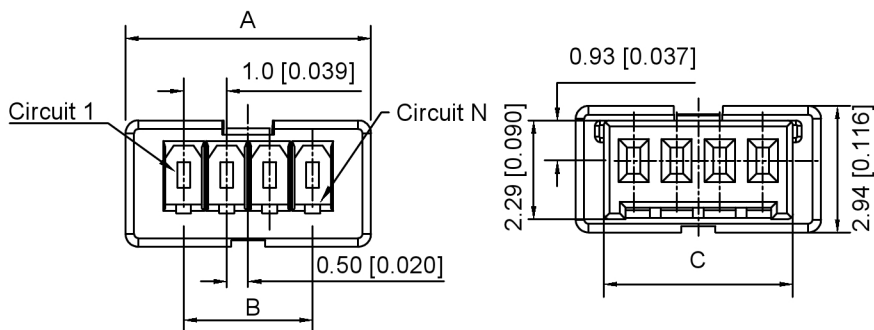
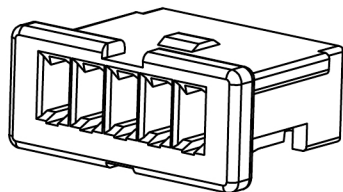
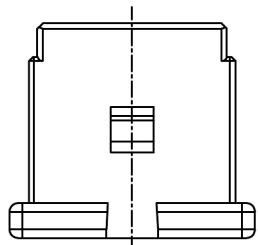
文件工程章

MARK	DESCRIPTION	DATE	REVISED	APPROVED	ANGLAR	±5°
					L ≤ 4	±0.2
					4 < L ≤ 16	±0.3
					16 < L ≤ 63	±0.4
					L > 63	±0.5
					UNSPECIFIED TOLERANCES	



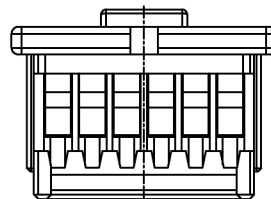
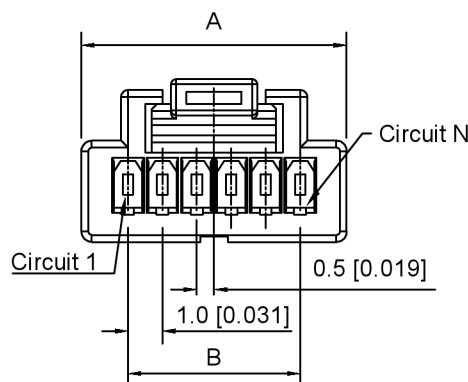
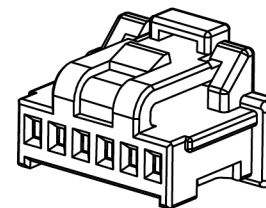
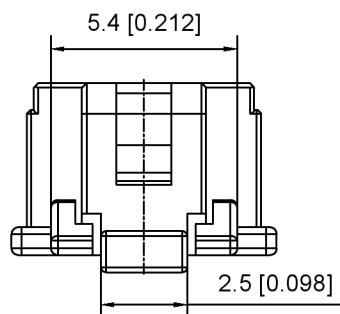
XKB INDUSTRIAL PRECISION CO.,LIMITED

DSND	SCALE: N/A	MODEL TYPE: 1.0mm Crimp Style Connector		
DWN	VIEW:	PART NO.: X1004WRS-XXAHF-4TSW		
CHKD	UNIT: mm/in	DWG NO.: X-X1004WRS-XXAHF-4TSW		
APPD	SIZE: A4	WEIGHT	SHEET	REVISION
			1/1	A0



X1004H-XXA-N0HF

02-05Pin



X1004H-XXA-N0HF

06-15Pin

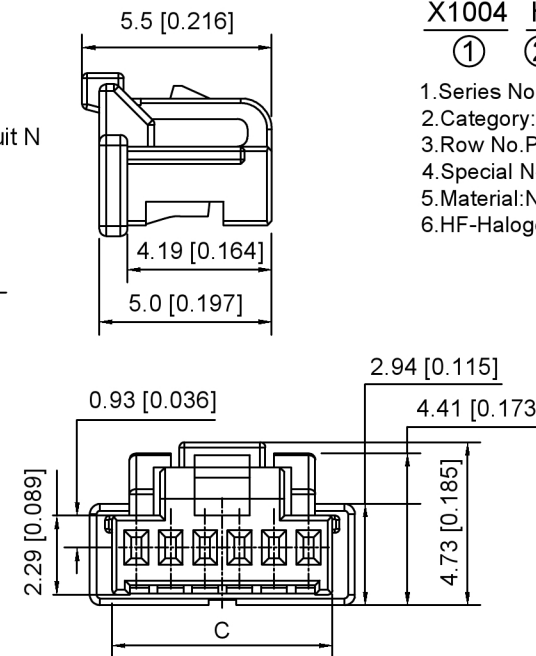
Specifications:

规格:
 Voltage rating:100V AC/DC
 额定电压: 100V AC/DC
 Current rating:1A AC/DC
 额定电流: 1A AC/DC
 Withstanding voltage:300V AC/minute
 耐受电压: 300V AC/分钟
 Temperature range:-40°C~+105°C
 温度范围: -40°C~+105°C
 Insulation resistance:≥100MΩ
 绝缘电阻: ≥100MΩ
 Contact resistance:≤20mΩ
 接触电阻: ≤20mΩ

X1004 H - XX A - N0 HF
 ① ② ③ ④ ⑤ ⑥

- 1.Series No
- 2.Category:H-Housing
- 3.Row No.Pin No:XX-02-15 Pin
- 4.Special No:A-Inner Lock
- 5.Material:N0-PA66 UL94V-0
- 6.HF-Halogen Free

Poles	Dimensions(mm)		
	A	B	C
02	3.70	1.00	2.40
03	4.70	2.00	3.40
04	5.70	3.00	4.40
05	6.70	4.00	5.40
06	7.70	5.00	6.40
07	8.70	6.00	7.40
08	9.70	7.00	8.40
09	10.70	8.00	9.40
10	11.70	9.00	10.40
11	12.70	10.00	11.40
12	13.70	11.00	12.40
13	14.70	12.00	13.40
14	15.70	13.00	14.40
15	16.70	14.00	15.40



X1004H-XXA-N0HF	PA66	X1004W-A	X1004T
PART NO	Material	Suitable XKB Wafer	Suitable XKB Terminal

DSND	SCALE: N/A	MODEL TYPE: 1.0mm Crimp Style Connector
DWN	VIEW:	PART NO.: X1004H-XXA-N0HF
CHKD	UNIT: mm/in	DWG NO.: X-X1004H-XXA-N0HF
APPD	SIZE: A4	WEIGHT SHEET REVISION



XKB INDUSTRIAL PRECISION CO., LIMITED

WEIGHT	SHEET	REVISION
	1/1	A0

ANGULAR	±5°
L ≤ 4	±0.2
4 < L ≤ 16	±0.3
16 < L ≤ 63	±0.4
L > 63	±0.5

UNSPECIFIED TOLERANCES

DESCRIPTION

REVISIONS

DATE REVISED APPROVED

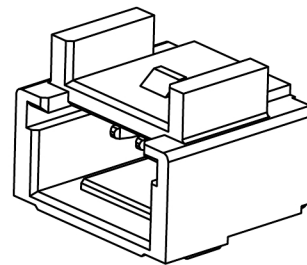
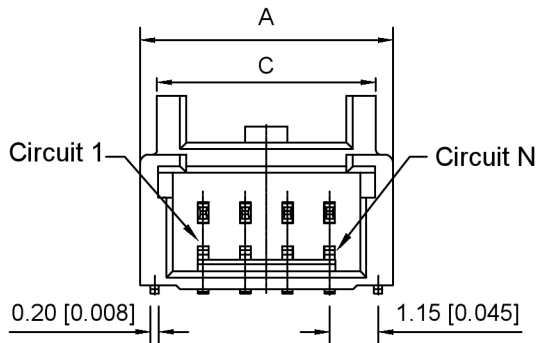
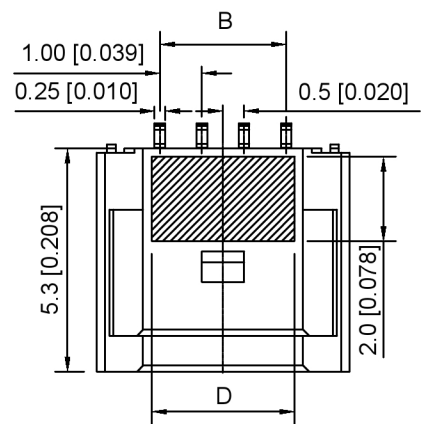
www.helloxkb.com www.helloxkb.cn www.xk-dg.cn

广东星坤科技股份有限公司

日期

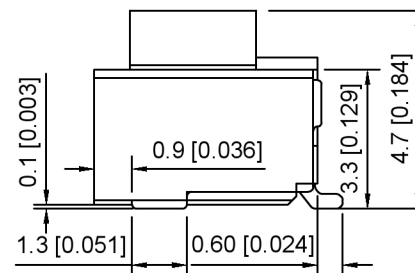
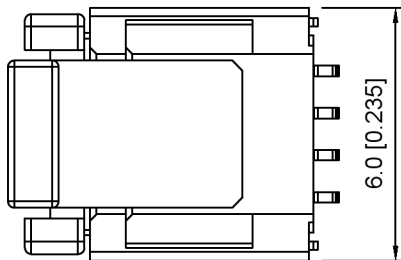
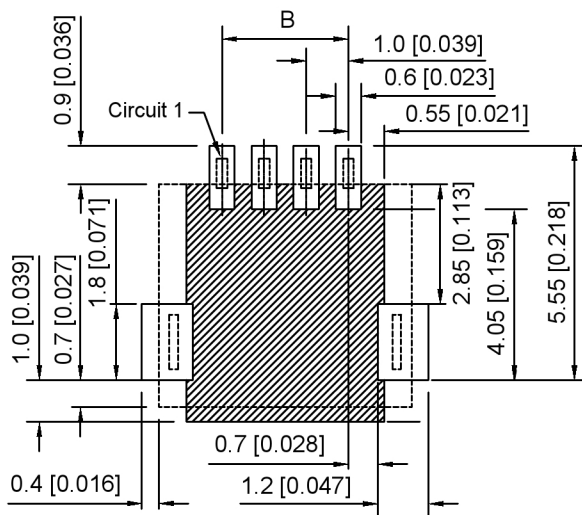
MARK

文件工程章



Specifications:

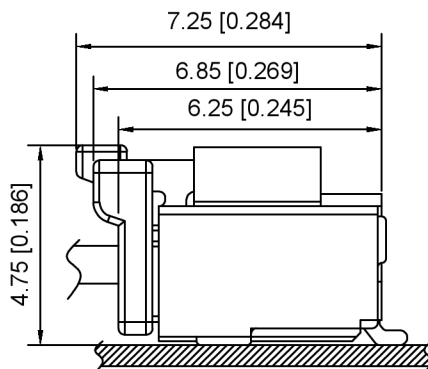
规格:
Voltage rating: 100V AC/DC
额定电压: 100V AC/DC
Current rating: 1A AC/DC
额定电流: 1A AC/DC
Withstanding voltage: 300V AC/minute
耐受电压: 300V AC/分钟
Temperature range: -40°C~+105°C
温度范围: -40°C~+105°C
Insulation resistance: ≥100MΩ
绝缘电阻: ≥100MΩ
Contact resistance: ≤20mΩ
接触电阻: ≤20mΩ



X1004 W R S - XX B HF - 4T SW
 ① ② ③ ④ ⑤ ⑥ ⑦ ⑧ ⑨

- 1.Series No
- 2.Category:W-Wafer
- 3.Welding Board Angle: R-Stright 90°
- 4.Welding Way:S-SMT
- 5.Row No.Pin No:XX-03-05 Pin
- 6.Special No:B-Outer Lock
- 7.HF-Halogen Free
- 8.Material:4T-PA4T UL94V-0
- 9.Plating:SW-Matte Tin Plating 100u" Min.overall, Ni 50u" Min.under Plating
 V01-Gold Flash overall,Ni 50u Min under Plating

Recommended PCB Layout:±0.05



Poles	Dimensions(mm)			
	A	B	C	D
03	5.00	2.00	4.20	2.40
04	6.00	3.00	5.20	3.40
05	7.00	4.00	5.20	3.40

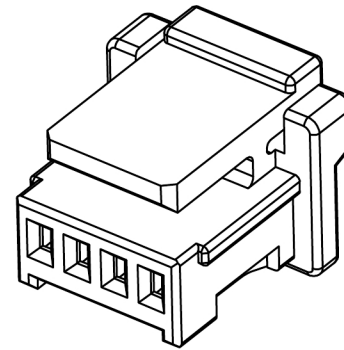
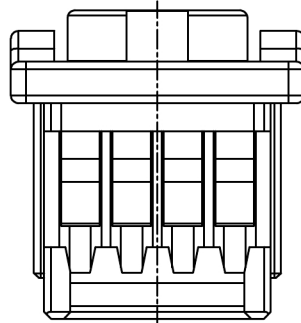
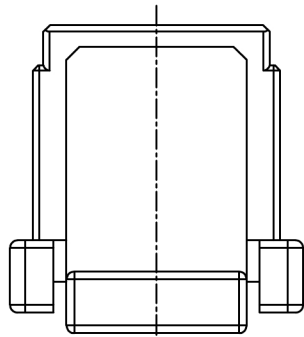
X1004WRS-XXBHF-4TSW	PA4T	Phosphor Bronze	X1004H-B
PART NO	Material	Material(Pin)	Suitable XKB Housing

广东星坤科技股份有限公司

文件工程章

MARK	DESCRIPTION	DATE	REVISED	APPROVED	ANGLAR	±5°
Δx					L ≤ 4	±0.2
Δx					4 < L ≤ 16	±0.3
Δx					16 < L ≤ 63	±0.4
					L > 63	±0.5
REVISIONS						UNSPECIFIED TOLERANCES

XKLB	DSND	SCALE: N/A	MODEL TYPE: 1.0mm Crimp Style Connector
	DWN	VIEW:	PART NO.: X1004WRS-XXBHF-4TSW
	CHKD	UNIT: mm/in	DWG NO.: X-X1004WRS-XXBHF-4TSW
	APPD	SIZE: A4	WEIGHT SHEET REVISION 1/1 A0
XKB INDUSTRIAL PRECISION CO., LIMITED			



Specifications:

规格:

Voltage rating: 100V AC/DC

额定电压: 100V AC/DC

Current rating: 1A AC/DC

额定电流: 1A AC/DC

Withstanding voltage: 300V AC/minute

耐受电压: 300V AC/分钟

Temperature range: -40°C-+105°C

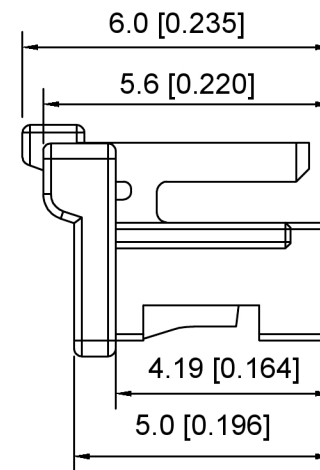
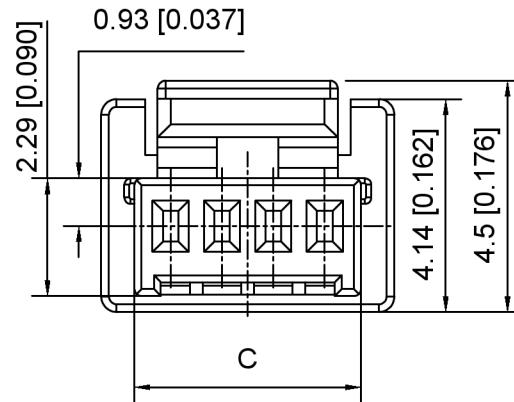
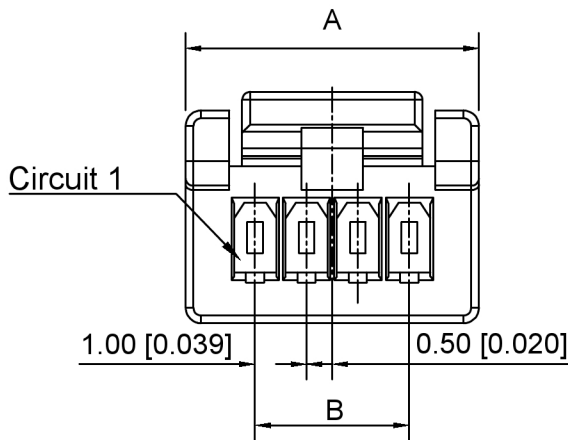
温度范围: -40°C-+105°C

Insulation resistance: ≥100MΩ

绝缘电阻: ≥100MΩ

Contact resistance: ≤20mΩ

接触电阻: ≤20mΩ



X1004 H - XX B - N0 HF
 ① ② ③ ④ ⑤ ⑥

1. Series No
2. Category: H-Housing
3. Row No. Pin No: XX-02-15 Pin
4. Special No: A-Outer Lock
5. Material: N0-PA66 UL94V-0
6. HF-Halogen Free

Poles	Dimensions(mm)		
	A	B	C
02	4.70	2.00	3.40
04	5.70	3.00	4.40
05	6.70	4.00	5.40

X1004H-XXB-N0HF	PA66	X1004W-B	X1004T
PART NO	Material	Suitable XKB Wafer	Suitable XKB Terminal

DSND	SCALE: N/A	MODEL TYPE: 1.0mm Crimp Style Connector
DWN	VIEW:	PART NO.: X1004H-XXB-N0HF
CHKD	UNIT: mm/in	DWG NO.: X-X1004H-XXB-N0HF
APPD	SIZE: A4	WEIGHT

XKB

XKB INDUSTRIAL PRECISION CO., LIMITED

WEIGHT	SHEET	REVISION
	1/1	A0

广东星坤科技股份有限公司

MARK	DESCRIPTION	DATE	REVISED	APPROVED
Δx				
△x				
△x				

文件工程章

REVISIONS	UNSPECIFIED TOLERANCES
	ANGULAR ±5°
	L ≤ 4 ±0.2
	4 < L ≤ 16 ±0.3
	16 < L ≤ 63 ±0.4
	L > 63 ±0.5

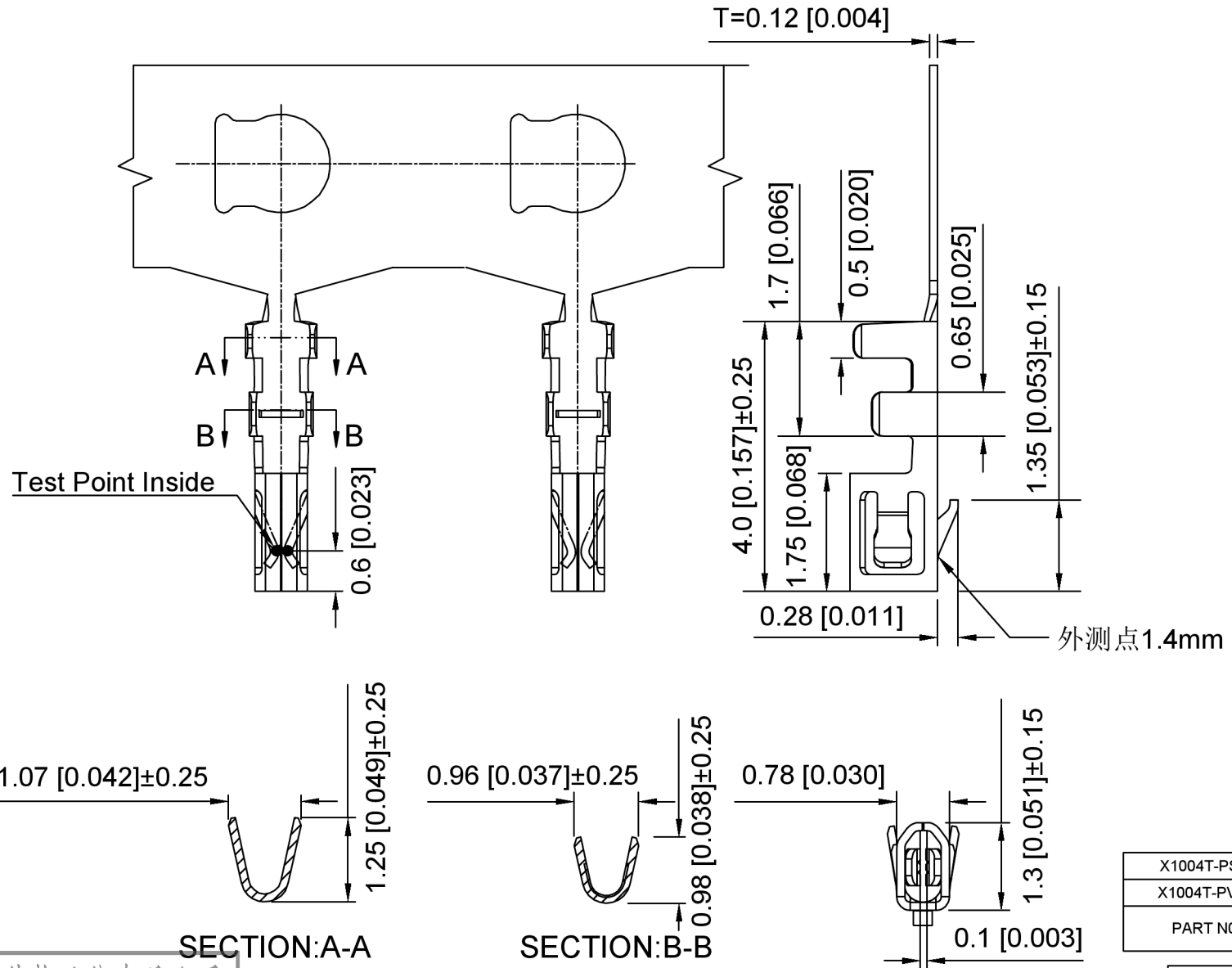
www.helloxkb.com www.helloxkb.cn www.xk-dg.cn

Specifications:
 规格:
 Voltage rating: 50V AC/DC
 额定电压: 50V AC/DC
 Current rating: 1A AC/DC
 额定电流: 1A AC/DC
 Withstanding voltage: 250V AC/minute
 耐受电压: 250V AC/分钟
 Temperature range: -25°C~+85°C
 温度范围: -25°C~+85°C
 Insulation resistance: ≥100MΩ
 绝缘电阻: ≥100MΩ
 Contact resistance: ≤20mΩ
 接触电阻: ≤20mΩ

X1004 T - P XX
 ① ② ③ ④

1. Series No
2. Category: T-Terminal
3. Material: P-Phosphor Bronze
4. Plating: SN-Bright Tin Plating
 100u"Min, Nickel 50u"Min
 V01-Contact Area Gold Flash.
 Other Area: Gold Flash, Ni: 50u"Min

X1004T-PSN	Phosphor Bronze	AWG#28-32 O.D:0.8mm	X1004W	X1004H
X1004T-PV01				
PART NO	Material	Wire Range	Suitable XKB Wafer	Suitable XKB Housing



SECTION:A-A

SECTION:B-B

广东星坤科技股份有限公司

ΔX	日期
ΔX	日期
ΔX	日期
MARK	DESCRIPTION

REVISIONS	DATE	REVISED	APPROVED	UNSPECIFIED TOLERANCES



DSND	SCALE: N/A	MODEL TYPE: 1.0mm Crimp Style Connector
DWN	VIEW:	PART NO.: X1004T-PSN
CHKD	UNIT: mm/in	DWG NO.: X-X1004T-PSN
APPD	SIZE: A4	WEIGHT
		SHEET
		REVISION

文件工程章

X-ON Electronics

Largest Supplier of Electrical and Electronic Components

Click to view similar products for [Headers & Wire Housings](#) category:

Click to view products by [XKB](#) manufacturer:

Other Similar products are found below :

[0015917161](#) [0022155065](#) [57102-F02-18ULF](#) [58102-G61-06LF](#) [582553-1](#) [01.001.5753.1](#) [0050291907](#) [02.125.8002.8](#) [609-3404](#) [61062-3](#)
[CSU011177004](#) [622-0430](#) [622-3653LF](#) [63453-116](#) [636-1030](#) [636-1427](#) [636-3427](#) [636-4007](#) [641938-9](#) [65495-038](#) [65692-001LF](#) [65781-018](#)
[65781-047](#) [65817-010LF](#) [65817-015LF](#) [67095-007LF](#) [67601157](#) [68631-112](#) [68645-018](#) [699319-000](#) [70.362.1628.0](#) [70-4210](#) [70-4226B](#) [70-](#)
[4853B](#) [71.350.2428.0](#) [733-134](#) [733-162](#) [760-3052](#) [MHR-64-VUAL](#) [80.063.4001.1](#) [800-90-001-10-001000](#) [801-43-002-10-013000](#)
[801-43-006-10-002000](#) [803-43-024-10-001000](#) [803-93-012-10-001000](#) [8-1437020-4](#) [819-22-004-30-001101](#) [820-22-006-30-001101](#)
[820-22-008-30-001101](#) [821-22-002-10-001101](#)