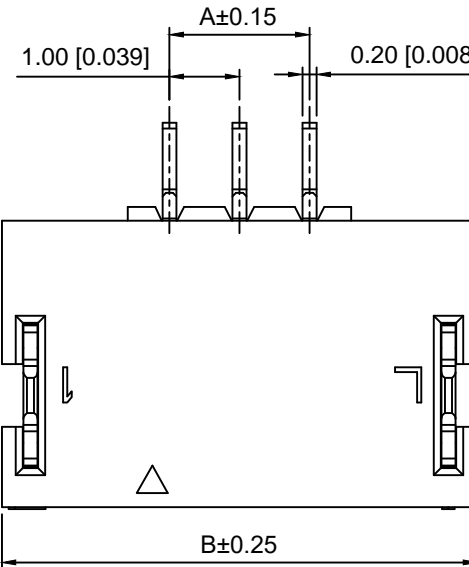
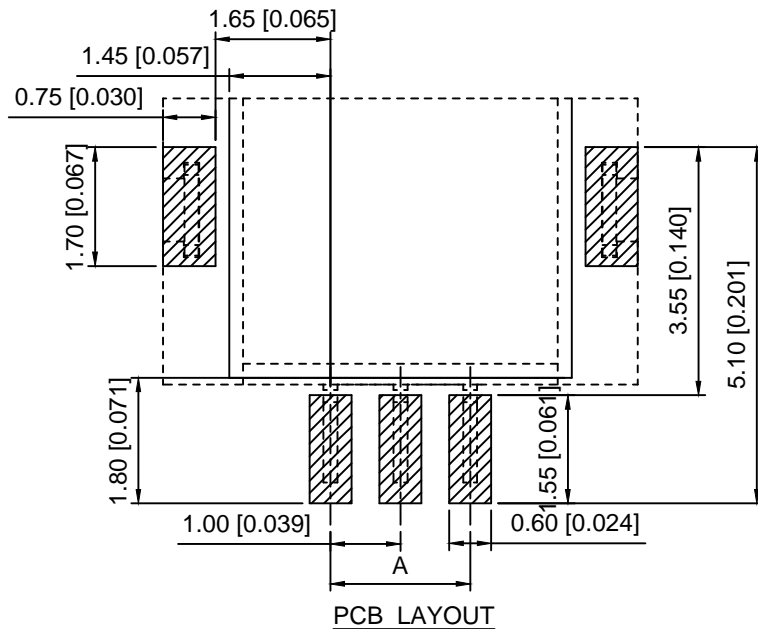


Specifications:

规格:
 Voltage rating:50V AC/DC
 额定电压: 50V AC/DC
 Current rating:1A AC/DC
 额定电流: 1A AC/DC
 Withstanding voltage:500V AC/minute
 耐受电压: 500V AC/分钟
 Temperature range:-40℃~+125℃
 温度范围: -40℃~+125℃
 Insulation resistance:100MΩ min
 绝缘电阻: 100MΩ Min
 Contact resistance:20mΩ Max
 接触电阻: 20mΩ Max

X1005 W R S - XX A - 6T SW
 ① ② ③ ④ ⑤ ⑥ ⑦ ⑧

- 1.Series No
- 2.Category:W-Wafer
- 3.Welding Board Angle:R-Straight 90°
- 4.Welding Way:S-SMT
- 5.Row No.Pin No:XX-02~30 Pin
- 6.Special No:A-Short fixed label
- 7.Material:6T-PA6T UL94V-0
- 8.Plating:SW-Matte Tin Plated



Poles	Dimensions(mm)				Poles	Dimensions(mm)			
	A	B	C	D		A	B	C	D
02	1.00	5.80	3.10	2.50	17	16.00	20.80	18.10	17.50
03	2.00	6.80	4.10	3.50	18	17.00	21.80	19.10	18.50
04	3.00	7.80	5.10	4.50	19	18.00	22.80	20.10	19.50
05	4.00	8.80	6.10	5.50	20	19.00	23.80	21.10	20.50
06	5.00	9.80	7.10	6.50	21	20.00	24.80	22.10	21.50
07	6.00	10.80	8.10	7.50	22	21.00	25.80	23.10	22.50
08	7.00	11.80	9.10	8.50	23	22.00	26.80	24.10	23.50
09	8.00	12.80	10.10	9.50	24	23.00	27.80	25.10	24.50
10	9.00	13.80	11.10	10.50	25	24.00	28.80	26.10	25.50
11	10.00	14.80	12.10	11.50	26	25.00	29.80	27.10	26.50
12	11.00	15.80	13.10	12.50	27	26.00	30.80	28.10	27.50
13	12.00	16.80	14.10	13.50	28	27.00	31.80	29.10	28.50
14	13.00	17.80	15.10	14.50	29	28.00	32.80	30.10	29.50
15	14.00	18.80	16.10	15.50	30	29.00	32.80	31.10	30.50
16	15.00	19.80	17.10	16.50					/

X1005WRS-XXA-6TSW	PA6T	Phosphor Bronze	X1005H
PART NO	Material	Material(Pin)	Suitable XKB Housing

DSND	SCALE: N/A	MODEL TYPE:		
DWN	VIEW:	1.0mm Crimp Style Connector		
CHKD	UNIT: mm/in	PART NO.:		
APPD	SIZE: A4	X1005WRS-XXA-6TSW		
		DWG NO.:		
		X-X1005WRS-XXA-6TSW		
		WEIGHT	SHEET	REVISION
			1/1	A0



XKB INDUSTRIAL PRECISION CO.,LIMITED

					ANGLAR	±5°
Δx					L ≤ 4	±0.2
Δx					4 < L ≤ 16	±0.3
Δx					16 < L ≤ 63	±0.4
MARK					L > 63	±0.5
	DESCRIPTION	DATE	REVISED	APPROVED	UNSPECIFIED TOLERANCES	
	REVISIONS					
	www.helloxkb.com www.helloxkb.cn www.xk-dg.cn					

X-ON Electronics

Largest Supplier of Electrical and Electronic Components

Click to view similar products for [Headers & Wire Housings](#) category:

Click to view products by [XKB](#) manufacturer:

Other Similar products are found below :

[57102-F02-18ULF](#) [58102-G61-06LF](#) [582553-1](#) [009176003701906](#) [01.001.5753.1](#) [0050291907](#) [02.125.8002.8](#) [609-3404](#) [61062-3](#)
[CSU011177004](#) [622-0430](#) [622-3653LF](#) [63453-116](#) [636-1030](#) [636-1427](#) [636-3427](#) [636-4007](#) [641938-9](#) [65495-038](#) [65692-001LF](#) [65781-018](#)
[65781-047](#) [65817-010LF](#) [65817-015LF](#) [66207-023LF](#) [67095-007LF](#) [67601157](#) [68631-112](#) [68645-018](#) [699319-000](#) [M90C108951C](#)
[70.362.1628.0](#) [70-4210](#) [70-4226B](#) [70-4853B](#) [707-5028](#) [71.350.2428.0](#) [71961-016LF](#) [733-134](#) [733-162](#) [754199-000](#) [760-3052](#) [80.063.4001.1](#)
[800-90-001-10-001000](#) [800-90-010-10-002000](#) [801-43-002-10-013000](#) [801-43-006-10-002000](#) [803-41-018-10-001000](#) [803-43-024-10-](#)
[001000](#) [803-93-012-10-001000](#)