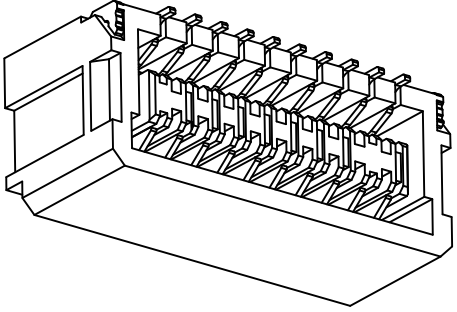
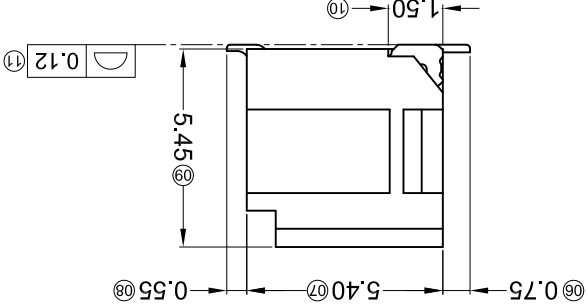
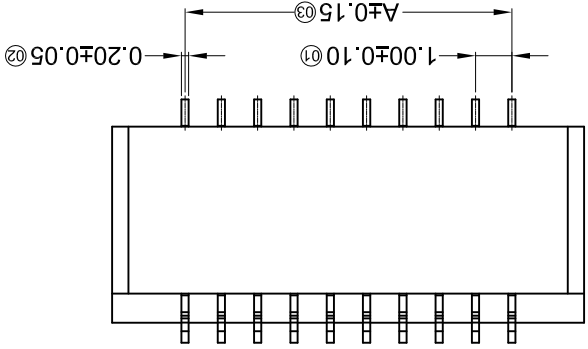
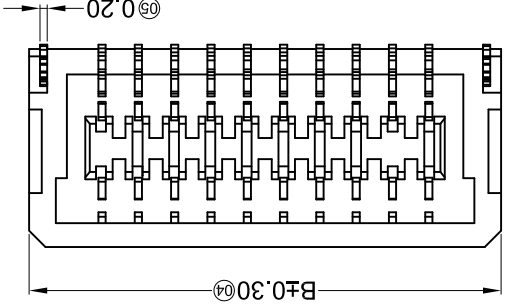
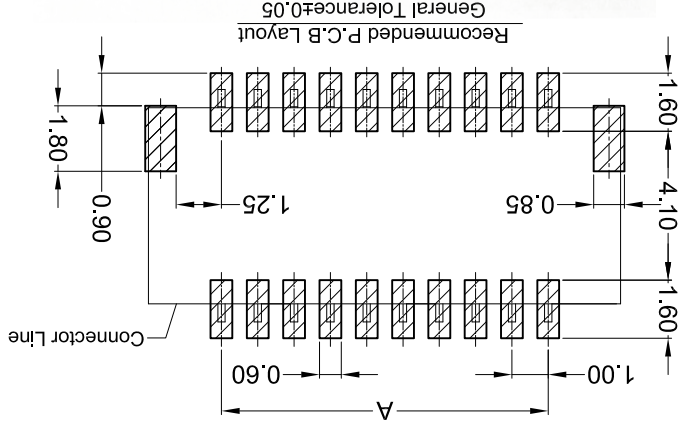


For and on behalf of  
**XKB INDUSTRIAL PRECISION CO., LIMITED**  
 香港星洲工業精密有限公司

REVISIONS  
 Authorized Signatures(s)

MARK	DESCRIPTION	DATE	REVISED	APPROVED	UNSPECIFIED TOLERANCES
△ X					$\pm 0.5$
△ X					$16 < L \leq 63$
△ X					$4 < L \leq 16$
△ X					$L \leq 4$
					ANGULAR $\pm 5^\circ$

DATE	DATE	DATE	DATE	DATE	DATE	DATE	DATE
SCALE: N/A	VIEW:	UNIT: mm	SIZE: A4	REVISION	SHEET	1/1	WEIGHT
MODEL TYPE: X1011WRS-2*XX-9T V01	PART NO.: X1011WRS-2*XX-9T V01	DWG NO.:		XKB INDUSTRIAL PRECISION CO., LIMITED			



Poles	Dimensions (mm)		Poles	Dimensions (mm)	Material	PART NO
	A	B				
20	9.00	13.00	40	19.00	PA9T UL 94V-0	X1011WRS-2*XX-9T V01
30	14.00	18.00	50	24.00		

PART NO	Material	Material(Pin)	Finish(Pin)	Material
X1011H	Brass	Gold-Flash		

■ Specifications :

- Voltage rating: 50V AC / DC
- Current rating: 1A AC / DC
- Withstanding voltage: 500V AC/minute
- Temperature range: -25°C~+85°C
- Insulation resistance:  $\geq 100M\Omega$
- Contact resistance:  $\leq 20m\Omega$
- After environmental testing:  $\leq 40m\Omega$

- X1011 W R S-2\*XX X-9T V01 XX
- Series No.
  - Category: W-water
  - Welding Board Angle: R-90°
  - Welding Way: S-SMT
  - Row No.-Pin No.: 2\*XX-Double Row
  - Plug the Pin & Special No.:
  - Material: 9T-PA9T 94V-0
  - Plating Category: V01-0All Gold Flash
  - Color: Blank-natural color; GR-Green

## X-ON Electronics

Largest Supplier of Electrical and Electronic Components

*Click to view similar products for [Headers & Wire Housings](#) category:*

*Click to view products by [XKB](#) manufacturer:*

Other Similar products are found below :

[95000-104TRLF](#) [10135584-644402LF](#) [DF62W-EP2022PCA](#) [95000-106TRLF](#) [DF62W-2022SCA](#) [DF62W-EP2022PC](#) [2203348](#) [DF62W-2022SC](#) [1084018](#) [1029039](#) [1084017](#) [802-10-012-10-002000](#) [1112640](#) [1112639](#) [891-007-9SS-BST1T](#) [000-34000](#) [0008550134](#) [0009482033](#) [0009507031](#) [57102-F02-18ULF](#) [57102-S06-03LF](#) [57202-S52-04LF](#) [PCN6-15S-2.5E](#) [0039019024](#) [58102-G61-06LF](#) [582553-1](#) [0009485154](#) [0009508121](#) [0022285053](#) [0050291907](#) [018731A](#) [LY20-4P-DT1-P1E-BR](#) [02.125.8002.8](#) [60101931](#) [60598-1 \(Cut Strip\)](#) [M1625-3R/100](#) [61062-3](#) [61082-181009](#) [CSU011177004](#) [636-1427](#) [638009-1](#) [641938-9](#) [641991-4](#) [644168-1](#) [644827-2](#) [647662-1](#) [65039-019ELF](#) [65692-001LF](#) [65781-018](#) [65781-047](#)