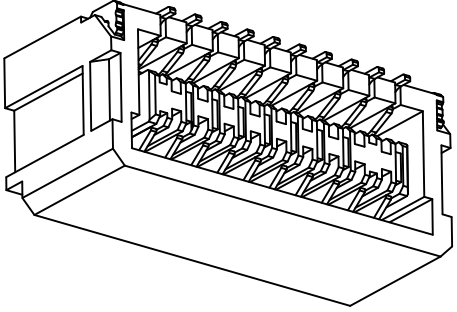
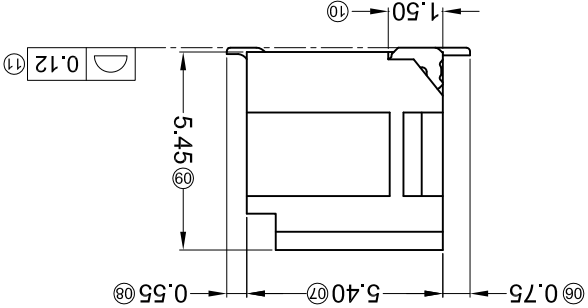
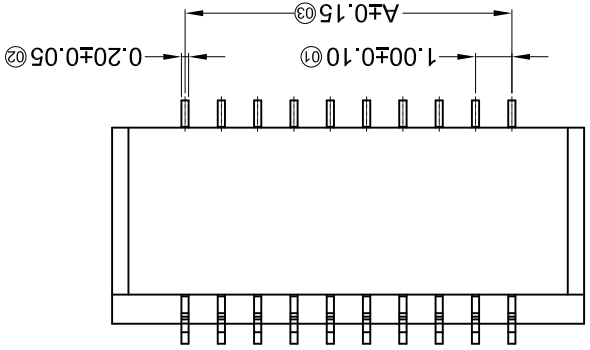
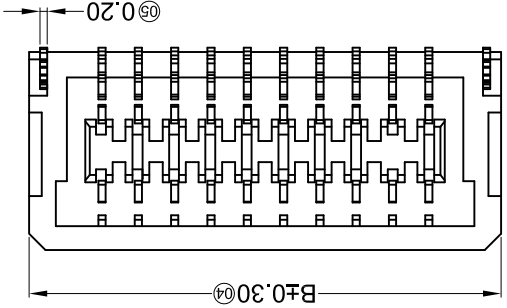
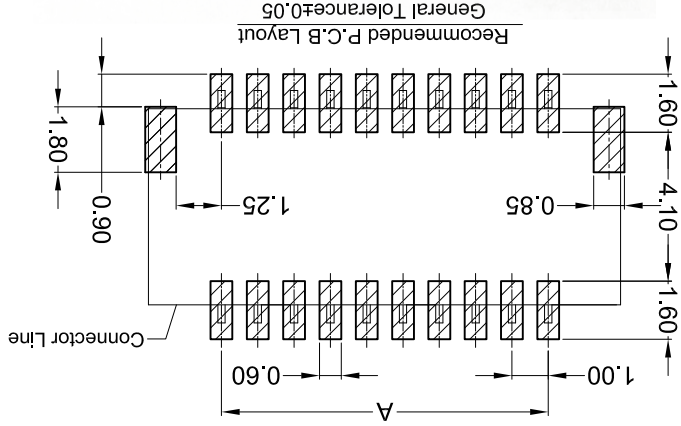


For and on behalf of
XKB INDUSTRIAL PRECISION CO., LIMITED
 香港星洲工業精密有限公司

REVISIONS
 Authorized Signatures(s)

MARK	DESCRIPTION	DATE	REVISED	APPROVED	UNSPECIFIED TOLERANCES
△ X					$L > 63$ ± 0.5
△ X					$16 < L \leq 63$ ± 0.4
△ X					$4 < L \leq 16$ ± 0.3
△ X					$L \leq 4$ ± 0.2
					ANGULAR $\pm 5^\circ$

REVISION	SHEET	WEIGHT	WATERMARK	DATE	DATE	DATE	DATE	DATE	DATE	DATE	DATE
A0	1/1	1.0g	XKB INDUSTRIAL PRECISION CO., LIMITED								



Poles	Dimensions (mm)		Poles	Dimensions (mm)	Poles	Dimensions (mm)
	A	B				
20	9.00	13.00	40	19.00	A	23.00
30	14.00	18.00	50	24.00	B	28.00

PART NO	Material	Material(Pin)	Finish(Pin)	PART NO
X1011WRS-2*XX-9TV01	PA9T UL 94V-0	Brass	Gold-Flash	X1011H

- X1011 W R S-2*XX X-9T V01 XX
- Series No.
 - Category: W-water
 - Welding Board Angle: R-90°
 - Welding Way: S-SMT
 - Row No.-Pin No.: 2*XX-Double Row
 - Plug the Pin & Special No.:
 - Material: 9T-PA9T 94V-0
 - Plating Category: V01-0All Gold Flash
 - Color: Blank-natural color; GR-Green

- Specifications :
- Voltage rating: 50V AC / DC
 - Current rating: 1A AC / DC
 - Withstanding voltage: 500V AC/minute
 - Temperature range: -25°C~+85°C
 - Insulation resistance: $\geq 100M\Omega$
 - Contact resistance: $\leq 20m\Omega$
 - After environmental testing: $\leq 40m\Omega$

X-ON Electronics

Largest Supplier of Electrical and Electronic Components

Click to view similar products for [Headers & Wire Housings](#) category:

Click to view products by [XKB](#) manufacturer:

Other Similar products are found below :

[95000-104TRLF](#) [10135584-644402LF](#) [DF62W-EP2022PCA](#) [95000-106TRLF](#) [DF62W-2022SCA](#) [DF62W-EP2022PC](#) [2203348](#) [DF62W-2022SC](#) [1084018](#) [1029039](#) [1084017](#) [802-10-012-10-002000](#) [1112640](#) [1112639](#) [891-007-9SS-BST1T](#) [000-34000](#) [0008550134](#) [0009482033](#) [0009507031](#) [57102-F02-18ULF](#) [57102-S06-03LF](#) [57202-S52-04LF](#) [PCN6-15S-2.5E](#) [0039019024](#) [58102-G61-06LF](#) [582553-1](#) [0009485154](#) [0009508121](#) [0022285053](#) [0050291907](#) [018731A](#) [LY20-4P-DT1-P1E-BR](#) [02.125.8002.8](#) [60101931](#) [60598-1 \(Cut Strip\)](#) [M1625-3R/100](#) [61062-3](#) [61082-181009](#) [CSU011177004](#) [636-1427](#) [638009-1](#) [641938-9](#) [641991-4](#) [644168-1](#) [644827-2](#) [647662-1](#) [65039-019ELF](#) [65692-001LF](#) [65781-018](#) [65781-047](#)