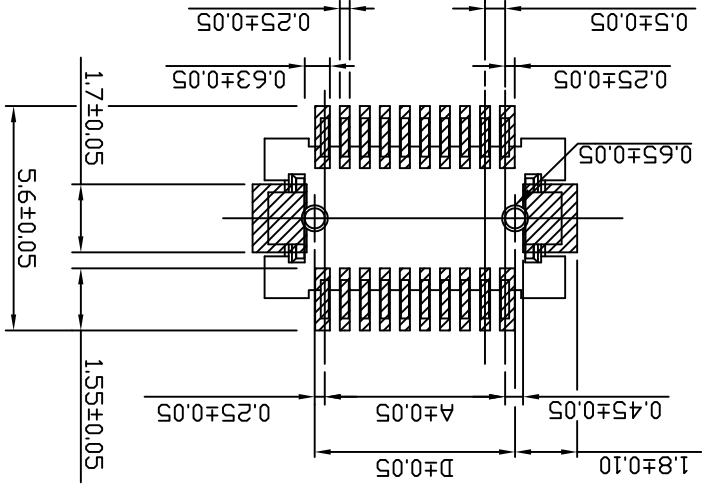
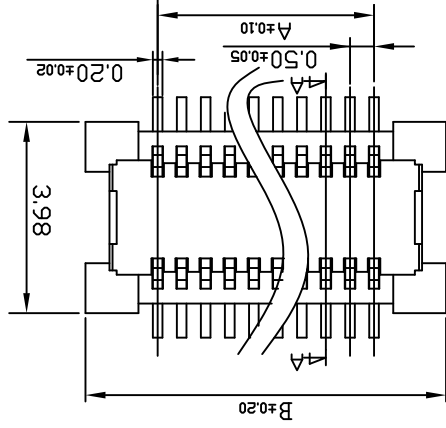
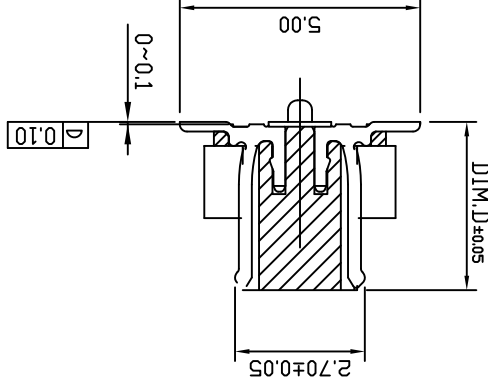
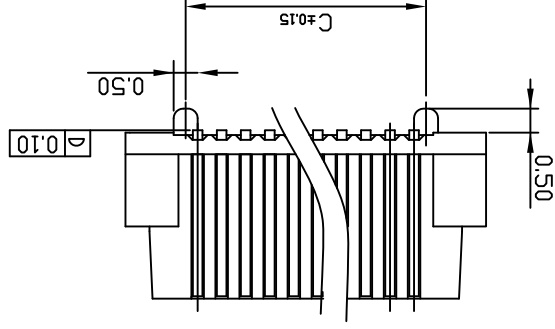


MARK		REVISIONS				UNSPECIFIED TOLERANCES		www.xk-dg.cn www.helloxkb.com www.helloxkb.cn			
Δx						APPROVED	L > 63	±0.5			
Δx							16 < L ≤ 63	±0.4			
Δx							4 < L ≤ 16	±0.3			
							L ≤ 4	±0.2			
							ANGULAR	±5°			
DSND	DATE	SCALE: N/A	MODEL TYPE: BTB CONNECTOR	DWN	DATE	VIEW:	UNIT: mm	CHKD	DATE	APPD	DATE
							SIZE: A4				
		X1015WM-XXX-X		WEIGHT		1.0g		SHEET		1/1	
		X1015WM-XXX-X		REVISION		A0					



X1015 W M-XX X-X
 ① ② ③ ④ ⑤ ⑥

- ① Series No.
- ② Category: W-WAFER
- ③ Welding Board Angle: M-Male
- ④ No. of Circuits
- ⑤ Special No: S-With Positioning Column
- ⑥ Height:
- A: Dim.D= 2.0mm (Circuits:10~80pin)
- C: DIM.D= 3.0mm (Circuits:10~60pin)
- D: DIM.D= 3.5mm (Circuits:10~60pin)

- * Material:
- * Insulation: Glass filled Polyamide UL 94V-0
- * Color Black
- * Contact: Copper alloy, t=0.2mm
- * Fixed Tab: Brass, t=0.2mm
- * Plating code: Gold flash over Nickel
- * DIM.A = 0.50 * No. of Spaces
- * DIM.B = DIM.A + 3.0
- * DIM.C = DIM.A + 0.5
- * Available in 10 through 80 circuits

X-ON Electronics

Largest Supplier of Electrical and Electronic Components

Click to view similar products for [Board to Board & Mezzanine Connectors](#) category:

Click to view products by [XKB](#) manufacturer:

Other Similar products are found below :

[10135583-642402LF](#) [89885-310LF](#) [589158040000018](#) [6-1393048-0](#) [68683-613](#) [MDF7-12DP-2.54DSA](#) [MDF7-18P-2.54DSA\(01\)](#) [MDF7-20DP-2.54DSA](#) [MDF7-26D-2.54DSA\(55\)](#) [MDF7-3P-2.54DSA\(01\)](#) [MDF7B-20P-2.54DSA\(01\)](#) [MDF7B-3P-2.54DSA\(55\)](#) [MDF7C-11P-2.54DSA\(55\)](#) [MDF7C-18P-2.54DSA\(55\)](#) [MDF7C-5P-2.54DSA\(01\)](#) [MDF7P-5P-2.54DSA\(55\)](#) [75234-0516](#) [FCN-230C068-11](#) [FCN-268F012-G/BD](#) [FCN-268F036-G/BD](#) [FCN-268M012-G/0D](#) [FCN-268M024-G/1D](#) [FCN-360C008-C](#) [FCN-360C040-C](#) [FCN-723J004/1](#) [MIS-048-01-F-D-DP-K](#) [832-10-034-10-001000](#) [93696-325LF](#) [11828-1FA](#) [AXK630345P](#) [18097-0013](#) [ICA-328STT](#) [2007042-2](#) [304400-2](#) [FCN-214Q030-G/0](#) [FCN-215Q040-G/0](#) [FCN-230C068-ESA](#) [FCN-234P048-G/0](#) [FCN-235D050-G/C](#) [FCN-360A3](#) [FCN-360C040-B](#) [210-93-314-41-105000](#) [2-22603-0](#) [379-064-521-202](#) [MDF7-12P-2.54DSA\(01\)](#) [MDF7-16P-2.54DS\(56\)](#) [MDF7-40DP-2.54DSA\(55\)](#) [MDF7-8P-2.54DSA\(55\)](#) [MDF7B-16P-2.54DSA\(55\)](#) [AXG720047](#)