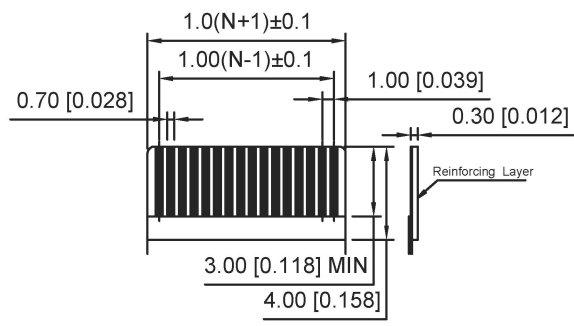
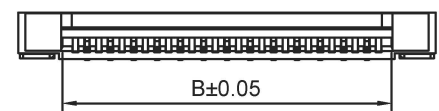
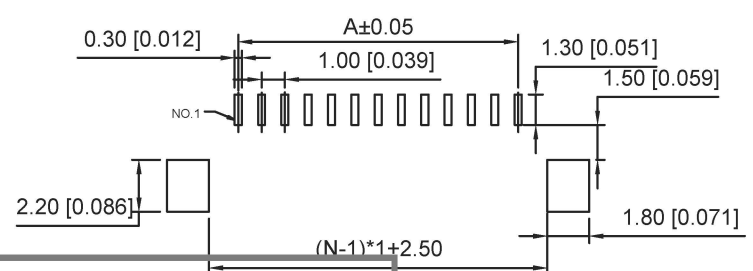


1.FPC NOT MATING CONDITION BANNED CLOSURE
 2.PART NO. LEGEND:
 X10A20 L XX X
 ① Series Name: X10A20=1.0 mm Pitch(H=2.0mm)
 ② Assembly style : L:Low Contact SMT Type U:Upper Contact SMT Type
 D:Double-Face Contact SMT Type H:Back-flip Double-Face Contact SMT Type
 ③ Number of terminals :XX=04-35PIN
 ④ Plating : G:Gold Flash Over Nickel T:Tin Over Nickel



RECOMMENDED FFC DIM



Pin	A	B	C	D
4	3.00	5.10	6.00	8.90
5	4.00	6.10	7.00	9.90
6	5.00	7.10	8.00	10.90
7	6.00	8.10	9.00	11.90
8	7.00	9.10	10.00	12.90
9	8.00	10.10	11.00	13.90
10	9.00	11.10	12.00	14.90
11	10.00	12.10	13.00	15.90
12	11.00	13.10	14.00	16.90
13	12.00	14.10	15.00	17.90
14	13.00	15.10	16.00	18.90
15	14.00	16.10	17.00	19.90
16	15.00	17.10	18.00	20.90
17	16.00	18.10	19.00	21.90
18	17.00	19.10	20.00	22.90
19	18.00	20.10	21.00	23.90
20	19.00	21.10	22.00	24.90
21	20.00	22.10	23.00	25.90
22	21.00	23.10	24.00	26.90
23	22.00	24.10	25.00	27.90
24	23.00	25.10	26.00	28.90
25	24.00	26.10	27.00	29.90
26	25.00	27.10	28.00	30.90
27	26.00	28.10	29.00	31.90
28	27.00	29.10	30.00	32.90
29	28.00	30.10	31.00	33.90
30	29.00	31.10	32.00	34.90
31	30.00	32.10	33.00	35.90
32	31.00	33.10	34.00	36.90
33	32.00	34.10	35.00	37.90
34	33.00	35.10	36.00	38.90
35	34.00	36.10	37.00	39.90

NO	COMPONENTS	MATERIALS	FINISH/COLOR SPECIFICATION	QUANTITY
4	STATOR	BRASS		2
3	TERMINAL	PHOSPHOR BRONZE		POSITIONS
2	COVER	ERMOPLASTIC UL94V-0	BLACK	1
1	HOUSING	THERMOPLASTIC UL94V-0	NATURAL	1

广东星坤科技股份有限公司

PCB Layout

MARK	DESCRIPTION	DATE	REVISED	APPROVED	REVISIONS
生					
效					
Δx					
Δx					
Δx					
文件	工程	章			

www.helloxkb.com www.helloxkb.com www.helloxkb.com

DSND		DATE	SCALE: N/A	MODEL TYPE: FPC CONNECTOR
DWN		DATE	VIEW:	PART NO.:
CHKD		DATE	UNIT: mm/in	DWG NO.:
APPD		DATE	SIZE: A4	X10A20LXXX
XKB INDUSTRIAL PRECISION CO., LIMITED				WEIGHT 1.0g
				SHEET 1/1
				REVISION A0

ANGLAR	±5°
L ≤ 4	±0.2
4 < L ≤ 16	±0.3
16 < L ≤ 63	±0.4
L > 63	±0.5
UNSPECIFIED TOLERANCES	

X-ON Electronics

Largest Supplier of Electrical and Electronic Components

Click to view similar products for [FFC & FPC Connectors](#) category:

Click to view products by [XKB](#) manufacturer:

Other Similar products are found below :

[00-6200-227-022-800](#) [006205250500825+](#) [006205280500825+](#) [FPH-1602G](#) [086222026001800](#) [52610-0675](#) [62674-201121DLF](#) [52746-1671-TR250](#) [10051922-1610EHLF](#) [10051922-2810EHLF](#) [686322124422](#) [XF3M-2915-1B-R100](#) [AYF353125A](#) [AYF530665TA](#) [AYF534065TA](#) [20FLH-RSM1-TB](#) [PCA-7F-25-HL-3-G](#) [207356-1](#) [52807-0430](#) [FFC05011-10SBB114W5M](#) [502250-8027](#) [FH28K-40S-0.5SH](#) [200528-0260](#) [FH28K-10S-0.5SH](#) [501951-1250](#) [X05B20U43T](#) [0.5K-DX-30PWB](#) [DS1020-08-10VBT12](#) [THD0515-34CL-GF](#) [X05A10L28G](#) [ECC2841061EU](#) [20539-030E-01](#) [1.0K-DHQX-16PWB](#) [1.0K-DHQX-30PWB](#) [1775333-6](#) [10054365-202110ELF](#) [10054365-242110ELF](#) [10054365-282110ELF](#) [10064555-392220HLF](#) [59453-041110EBHLF](#) [59453-091110EDHLF](#) [62674-241141ALF](#) [62684-432100ALF](#) [62684-451100AHLF](#) [62684-5721N0ALF](#) [HFW11R-1STE1MTLF](#) [HFW12R-1STE9LF](#) [HFW14R-1STE9MTLF](#) [HFW18S-2STE9LF](#) [HFW20R-1STAE1HLF](#)