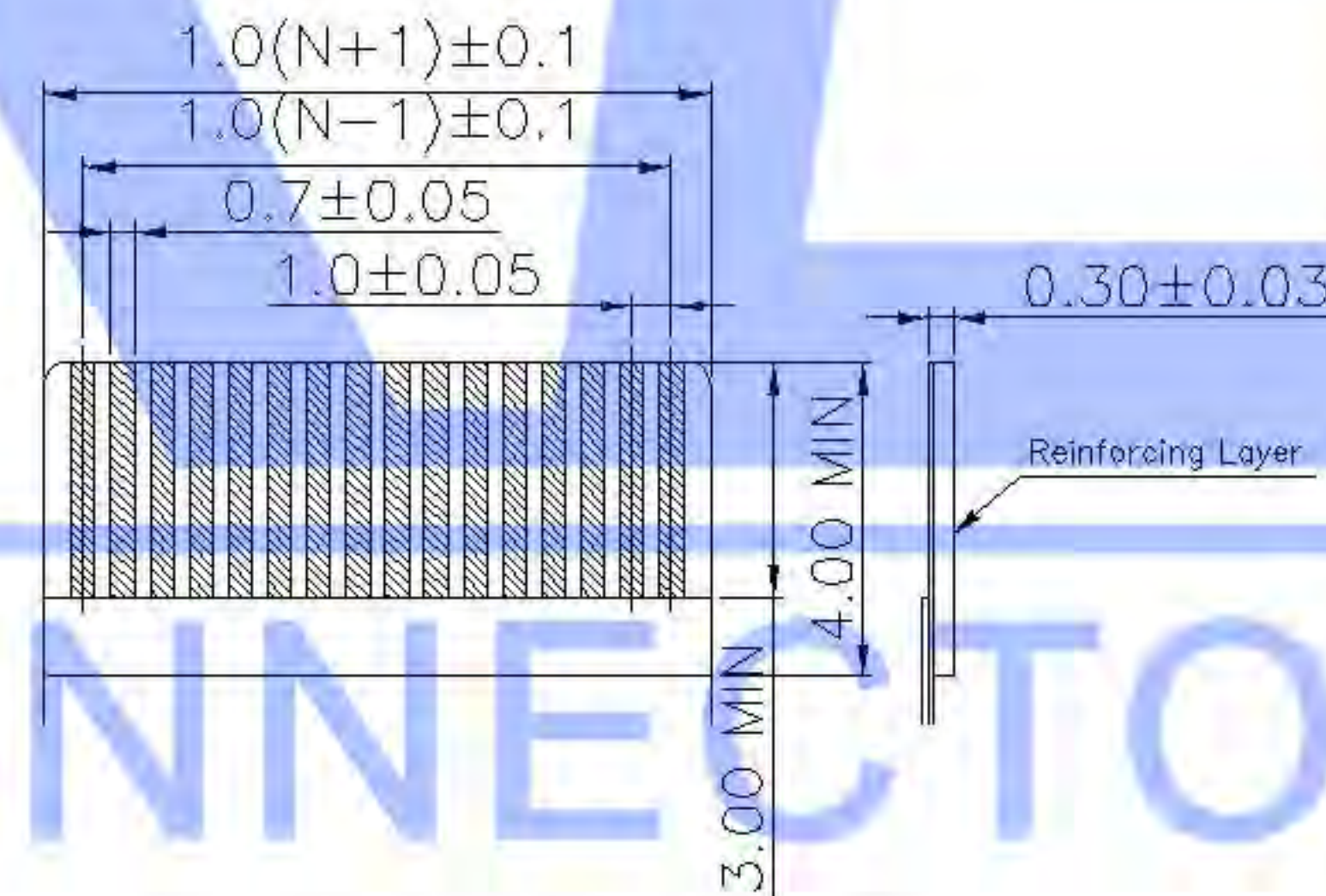
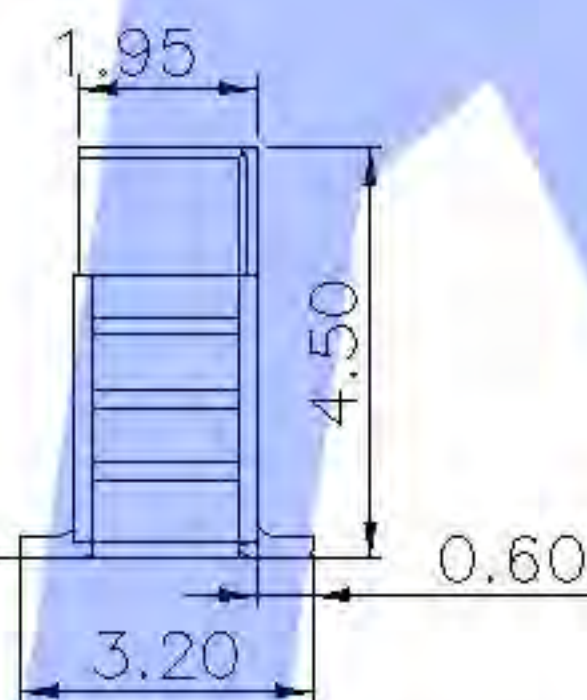
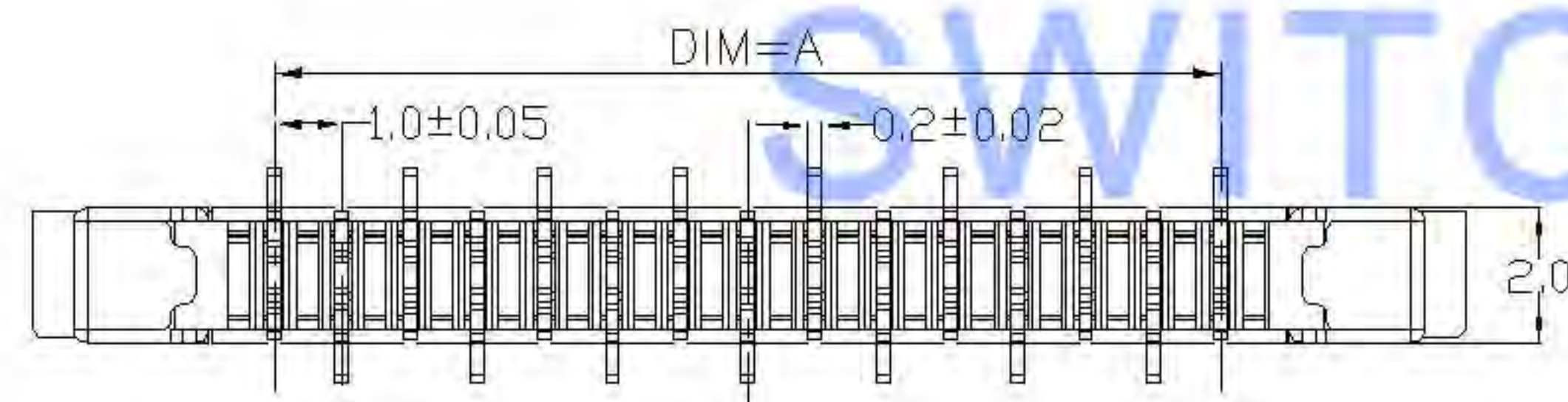


Ø10



RECOMMENDED FFC DIM



| Pin | DIM A | DIM B | DIM C |
|-----|-------|-------|-------|
| 29 | 28.00 | 35.20 | 30.10 |
| 28 | 27.00 | 34.20 | 29.10 |
| 27 | 26.00 | 33.20 | 28.10 |
| 26 | 25.00 | 32.20 | 27.10 |
| 25 | 24.00 | 31.20 | 26.10 |
| 24 | 23.00 | 30.20 | 25.10 |
| 23 | 22.00 | 29.20 | 24.10 |
| 22 | 21.00 | 28.20 | 23.10 |
| 21 | 20.00 | 27.20 | 22.10 |
| 20 | 19.00 | 26.20 | 21.10 |
| 19 | 18.00 | 25.20 | 20.10 |
| 18 | 17.00 | 24.20 | 19.10 |
| 17 | 16.00 | 23.20 | 18.10 |
| 16 | 15.00 | 22.20 | 17.10 |
| 15 | 14.00 | 21.20 | 16.10 |
| 14 | 13.00 | 20.20 | 15.10 |
| 13 | 12.00 | 19.20 | 14.10 |
| 12 | 11.00 | 18.20 | 13.10 |
| 11 | 10.00 | 17.20 | 12.10 |
| 10 | 9.00 | 16.20 | 11.10 |
| 09 | 8.00 | 15.20 | 10.10 |
| 08 | 7.00 | 14.20 | 9.10 |
| 07 | 6.00 | 13.20 | 8.10 |
| 06 | 5.00 | 12.20 | 7.10 |
| 05 | 4.00 | 11.20 | 6.10 |
| 04 | 3.00 | 10.20 | 5.10 |
| 03 | 2.00 | 9.20 | 4.10 |
| 02 | 1.00 | 8.20 | 3.10 |

- FPC NOT MATING CONDITION BANNED CLOSURE
- PART NO. LEGEND:

X10C20 XX X X
① ② ③ ④

- Series Name : X10C20=1.0 mm Pitch(H=2.0mm)
- Number of terminals :XX=02-29PIN
- Plating : G:Gold Flash Over Nickel T:Tin Over Nickel
- Z:positive needle F:negative needle

3. PERFORMANCE:

- CURRENT RATING: 0.5A/PIN.
- VOLTAGE RATING: 50V (AC/DC).
- CONTACT RESISTANCE: INITIAL VALUE 30mOHM Max.
- INSULATION RESISTANCE: 500MOMH Min.
- DIELECTRIC WITHSTANDING VOLTAGE: 250V AC FOR 1MINUTE.
- DURABILITY: 20 TIMES Min.
- OPERATING TEMPERATURE: -40°C~+85°C
OPERATING HUMIDITY RANGE: 20% TO 85%

| MARK | DESCRIPTION | DATE | REVISED | APPROVED | UNSPECIFIED TOLERANCES | DSND | DATE | SCALE: N/A | MODEL TYPE: FPC CONNECTOR |
|------|-------------|------|---------|----------|------------------------|---------------------------------------|------|------------|------------------------------|
| Δx | | | | | ANGLAR ±5° | DWN | DATE | VIEW: | PART NO.: |
| Δx | | | | | L ≤ 4 ±0.2 | CHKD | DATE | UNIT: mm | DWG NO.: |
| Δx | | | | | 4 < L ≤ 16 ±0.3 | APPD | DATE | SIZE: A4 | X10C20XXXX |
| | | | | | 16 < L ≤ 63 ±0.4 | KXB INDUSTRIAL PRECISION CO., LIMITED | | | WEIGHT |
| | | | | | L > 63 ±0.5 | | | | 1.0g |
| | | | | | | | | | SHEET |
| | | | | | | | | | 1/1 |
| | | | | | | | | | REVISION |
| | | | | | | | | | A0 |

X-ON Electronics

Largest Supplier of Electrical and Electronic Components

Click to view similar products for [FFC & FPC Connectors](#) category:

Click to view products by [XKB](#) manufacturer:

Other Similar products are found below :

[00-6200-227-022-800](#) [006205250500825+](#) [006205280500825+](#) [FPH-1602G](#) [FPH-2022G](#) [52610-1275](#) [501864-3091-TR225](#)
[086222026001800](#) [52610-0675](#) [62674-201121DLF](#) [62684-36210E9ALF](#) [52746-1671-TR250](#) [10051922-2810EHLF](#) [686322124422](#) [XF3M-](#)
[2915-1B-R100](#) [AYF353125A](#) [AYF530665TA](#) [AYF534065TA](#) [AYF351525](#) [086212040340800+](#) [AYF530365TA](#) [67000-004LF](#)
[006207341915000+](#) [207356-1](#) [67000-003LF](#) [HFW14R-2STE9LF](#) [SFW12R-5STE9LF](#) [SFW18R-1STAE9LF](#) [SFW4R-5STE9LF](#) [52807-0430](#)
[046283021002868+](#) [502250-8027](#) [104267-9617](#) [66987-011LF](#) [HFW8S-2STAE1HLF](#) [67000-008LF](#) [HFW22R-2STE1H1LF](#) [0781271110](#)
[5019511030](#) [200528-0260](#) [5039084120](#) [503908-5120](#) [SFW20R-1STGE5LF](#) [FH12-18S-0.5SH](#) [686116183522](#) [FH64MA-11S-0.25SHW](#)
[686114183522](#) [502078-5362](#) [FH52K-68S-0.5SH](#) [FH26W-23S-0.3SHW\(60\)](#)