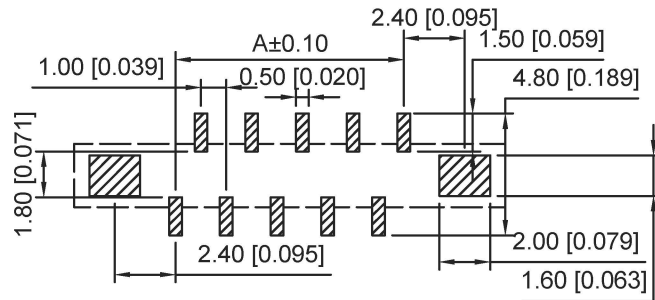
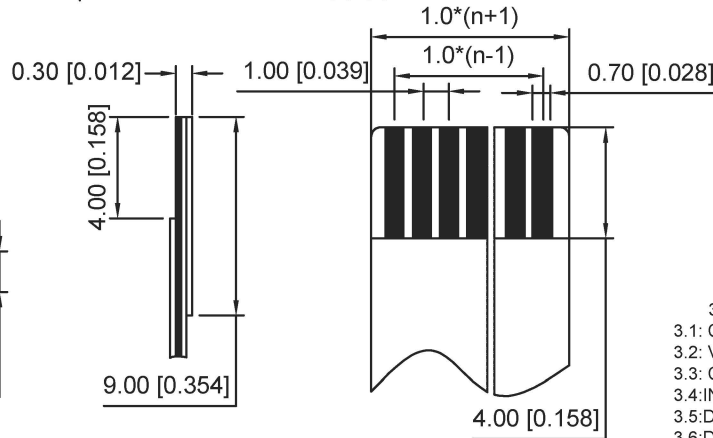
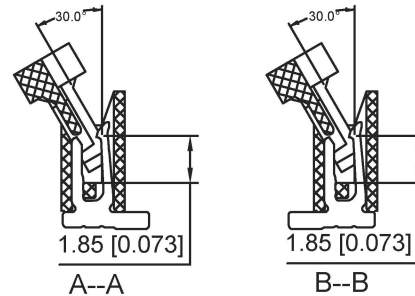
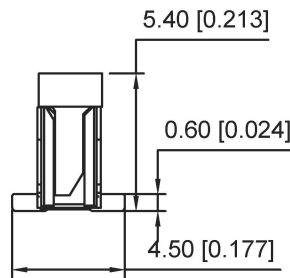
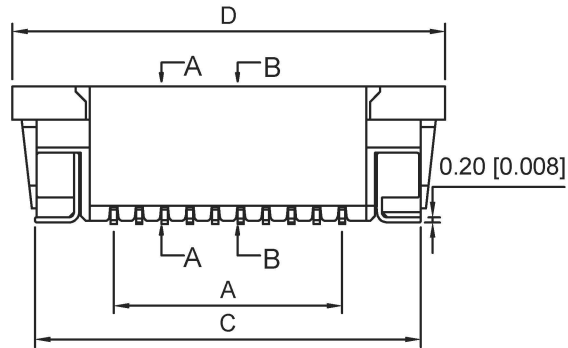
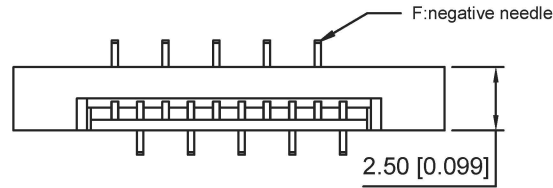
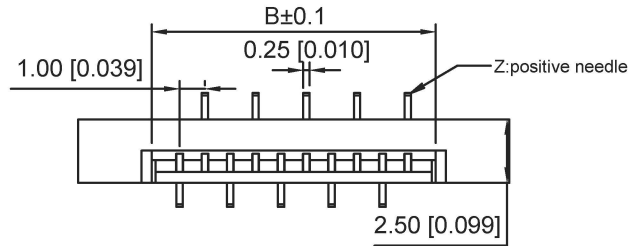


Pin	A	B	C	D
35	34	36.15	40.2	42.1
34	33	35.15	39.2	41.1
33	32	34.15	38.2	40.1
32	31	33.15	37.2	39.1
31	30	32.15	36.2	38.1
30	29	31.15	35.2	37.1
29	28	30.15	34.2	36.1
28	27	29.15	33.2	35.1
27	26	28.15	32.2	34.1
26	25	27.15	31.2	33.1
25	24	26.15	30.2	32.1
24	23	25.15	29.2	31.1
23	22	24.15	28.2	30.1
22	21	23.15	27.2	29.1
21	20	22.15	26.2	28.1
20	19	21.15	25.2	27.1
19	18	20.15	24.2	26.1
18	17	19.15	23.2	25.1
17	16	18.15	22.2	24.1
16	15	17.15	21.2	23.1
15	14	16.15	20.2	22.1
14	13	15.15	19.2	21.1
13	12	14.15	18.2	20.1
12	11	13.15	17.2	19.1
11	10	12.15	16.2	18.1
10	9	11.15	15.2	17.1
09	8	10.15	14.2	16.1
08	7	9.15	13.2	15.1
07	6	8.15	12.2	14.1
06	5	7.15	11.2	13.1
05	4	6.15	10.2	12.1
04	3	5.15	9.2	11.1
03	2	4.15	8.2	10.1
02	1	3.15	7.2	9.1



1.FPC NOT MATING CONDITION BANNED CLOSURE  
2.PART NO. LEGEND.

X10C25 XX X X  
① ② ③ ④

- ① Series Name : X10C25=1.0 mm Pitch(H=2.5mm)
- ② Number of terminals : XX=02-35PIN
- ③ Plating : G:Gold Flash Over Nickel T:Tin Over Nickel
- ④ Z:positive needle F:negative needle

- 3.PERFORMANCE:
- 3.1: CURRENT RATING:0.5A/PIN
  - 3.2: VOLTAGE RATING:50V(AC/DC)
  - 3.3: CONTACT RESISTANCE: INITIAL VALUE 30mOHM Max.
  - 3.4:INSULATION RESISTANCE:500MOHM Min.
  - 3.5:DIELERIC WITHSTANDING VOLTAGE:250V AC FOR 1MINUTE
  - 3.6:DURABILT: 20 TIMES Min
  - 3.7:OPERATING TEMPERATURE:-40 ~ +85 °C  
OPERATING HUMIDITY RANGE:20% TO 85%

广东星坤科技股份有限公司

生效日期

MARK DESCRIPTION

REVISIONS

www.xkkg.cn www.helloxkb.com www.helloxkb.cn

MARK	DESCRIPTION	DATE	REVISED	APPROVED

UNSPECIFIED TOLERANCES

DSND	DATE	SCALE: N/A	MODEL TYPE: FPC CONNECTOR
DWN	DATE	VIEW:	PART NO.:
CHKD	DATE	UNIT: mm/in	DWG NO.:
APPD	DATE	SIZE: A4	X10C25XXXX
XKB INDUSTRIAL PRECISION CO., LIMITED			WEIGHT SHEET REVISION
			1.0g 1/1 A0

文件工程章

## X-ON Electronics

Largest Supplier of Electrical and Electronic Components

*Click to view similar products for [FFC & FPC Connectors](#) category:*

*Click to view products by [XKB](#) manufacturer:*

Other Similar products are found below :

[00-6200-227-022-800](#) [006205250500825+](#) [006205280500825+](#) [FPH-1602G](#) [086222026001800](#) [52610-0675](#) [62674-201121DLF](#) [52746-1671-TR250](#) [10051922-1610EHLF](#) [10051922-2810EHLF](#) [686322124422](#) [XF3M-2915-1B-R100](#) [AYF353125A](#) [AYF530665TA](#) [AYF534065TA](#) [20FLH-RSM1-TB](#) [207356-1](#) [SFW12R-5STE9LF](#) [SFW18R-1STAE9LF](#) [SFW4R-5STE9LF](#) [52807-0430](#) [046283021002868+](#) [FFC05011-10SBB114W5M](#) [502250-8027](#) [67000-008LF](#) [200528-0260](#) [FH28K-10S-0.5SH](#) [FH52K-6S-0.5SH](#) [0.5K-DX-30PWB](#) [DS1020-08-10VBT12](#) [THD0515-34CL-GF](#) [X05A10L28G](#) [ECC2841061EU](#) [1.0K-DHQX-16PWB](#) [1.0K-DHQX-30PWB](#) [1775333-6](#) [10054365-202110ELF](#) [10054365-242110ELF](#) [10054365-282110ELF](#) [10064555-392220HLF](#) [59453-041110EBHLF](#) [59453-091110EDHLF](#) [62674-241141ALF](#) [62684-432100ALF](#) [62684-451100AHLF](#) [62684-5721N0ALF](#) [HFW11R-1STE1MTLF](#) [HFW12R-1STE9LF](#) [HFW14R-1STE9MTLF](#) [HFW18S-2STE9LF](#)