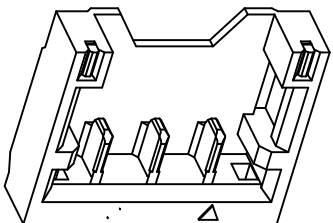
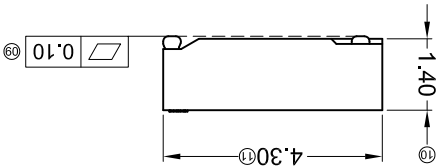
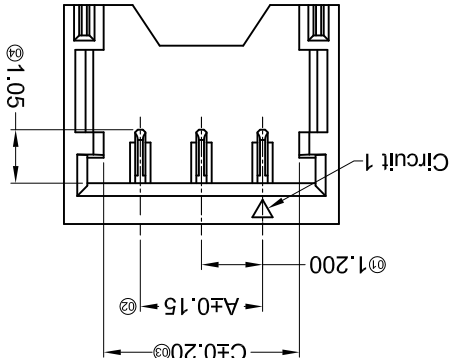
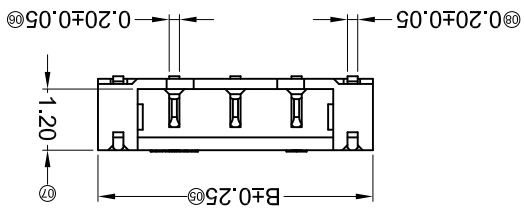
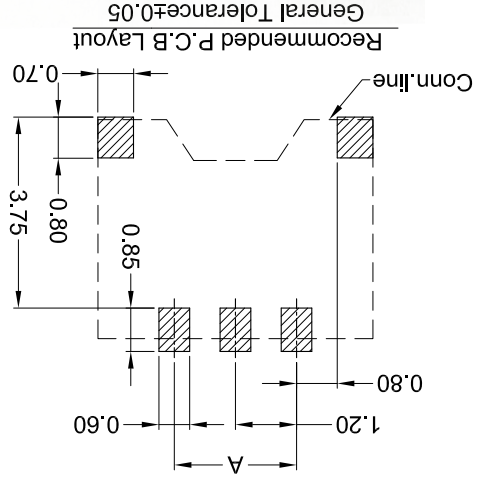


For and on behalf of
XKB INDUSTRIAL PRECISION CO., LIMITED
 香港星坤工業精密有限公司

REVISIONS
 Authorized Signatures(s)

MARK	DESCRIPTION	DATE	REVISD	APPROVED	UNSPECIFIED TOLERANCES
△ X					$L > 63$ ± 0.5
△ X					$16 < L \leq 63$ ± 0.4
△ X					$4 < L \leq 16$ ± 0.3
△ X					$L \leq 4$ ± 0.2
					ANGULAR $\pm 5^\circ$

REVISION	SHEET	WEIGHT	SCALE: N/A	DATE	DNSD	DATE	VIEW:	UNIT: mm	DATE	CHKD	DATE	SIZE: A4	REVISION
A0	1/1	1.0g											



PART NO	Material	Material(Pin)	Finish(Pin)	(Solder Tabs) (Solder Tabs)	Material	Material	Finish	Material
X1224WRS-XX-LPV01	LCP UL 94V-0	Phosphos Bronze	Gold-Flash	Brass	Tin Plating Matte	Brass	Tin Plating Matte	Suitable XKB Terminal
PA4T UL 94V-0	Phosphos Bronze	Gold-Flash	Brass	Tin Plating Matte	Brass	Tin Plating Matte		

Poles	Dimensions(mm)	
	A	B
02	1.20	4.20
03	2.40	5.40
		3.84

- ① Series No.
 ② Category: W-water
 ③ Welding Board Angle: R-Right Angle 90°
 ④ Welding Way: S-SMT
 ⑤ Row No.-Pin No.: XX-04P~07P
 ⑥ Plug the Pin & Special NO.:
 ⑦ Material: LP-LCP 94V-0; 4T-PA4T
 ⑧ Plating Category: V01: All Gold Flash
 ⑨ Color: Blank-Natural Color Black

X1224 W R S-XX X-XX V01 XX

- Specifications:
- Voltage rating: 50V AC / DC
 - Current rating: 2.0A AC / DC
 - Withstanding voltage: 500V AC/minute
 - Temperature range: -25°C~+85°C
 - Insulation resistance: $\geq 100M\Omega$
 - Contact resistance: $\leq 20m\Omega$
 - After environmental testing: $\leq 40m\Omega$

For and on behalf of
XKB INDUSTRIAL PRECISION CO., LIMITED
 香港星坤工業精密有限公司

REVISIONS
 Authorized Signature(s)

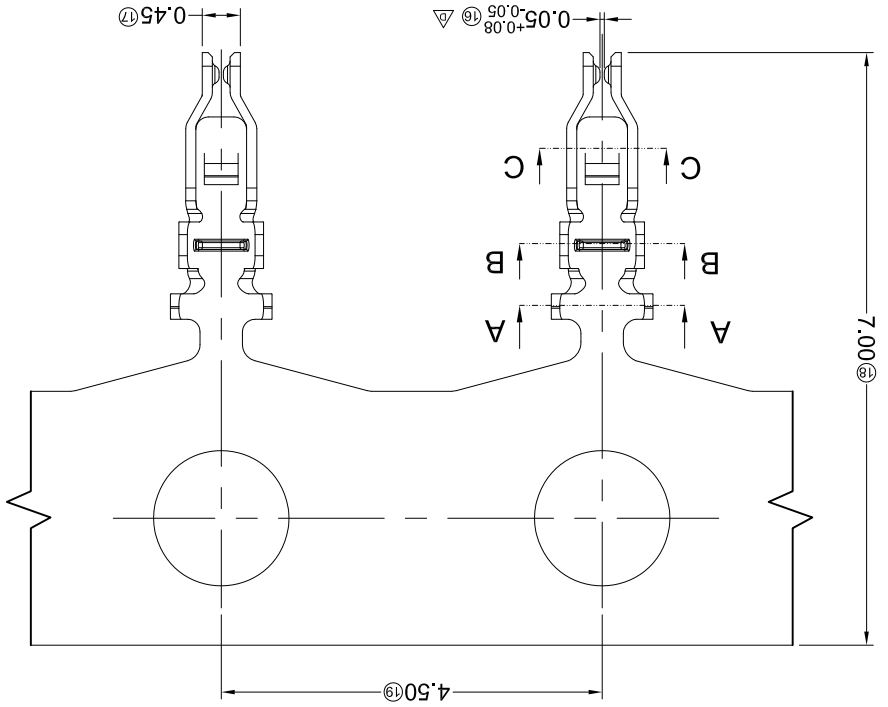
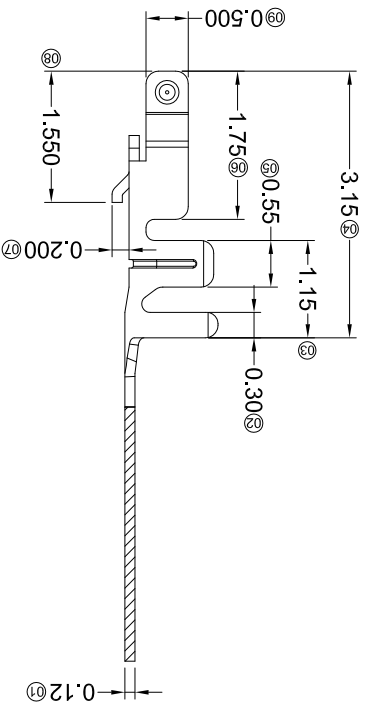
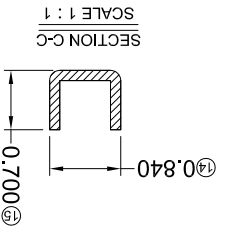
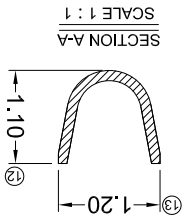
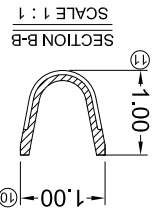
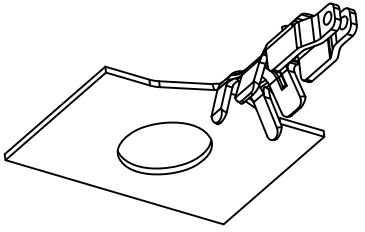
MARK	DESCRIPTION	DATE	REVISED	APPROVED	UNSPECIFIED TOLERANCES
△ X					±0.5
△ X					L > 63
△ X					16 < L ≤ 63
△ X					4 < L ≤ 16
△ X					L ≤ 4
					±0.2
					ANGULAR
					±5°

DSND	DATE	SCALE: N/A	MODEL TYPE: X1224T-PV01
APPD <td></td> <td></td> <td></td>			
CHKD <td></td> <td></td> <td></td>			
DWN <td></td> <td></td> <td></td>			

DATE	VIEW:	PART NO.:	DWG NO.:

DATE	UNIT: mm	SIZE: A4	WEIGHT	SHEET	REVISION
			1.0g	1/1	A0

PART NO	Material	Wire Range	Insulation O.D.	Finish	Suitable XKB Terminal
X1224T-PV01	Phosphor Bronze	AWG#28-30	0.70mm (Max.)	Stamping Before Plating: 30u" Ni:Whole Gold : Gold Flash	X1224H



- Specifications:**
- Voltage rating: 50V AC / DC
 - Current rating: 2A AC / DC
 - Withstanding voltage: 500V AC/minute
 - Temperature range: -25°C~+85°C
 - Insulation resistance: ≥100MΩ
 - Contact resistance: ≤20mΩ
 - After environmental testing: ≤40mΩ
- X1224 T X-P V01 X**
- ① Series Number
 - ② Category: T-terminal
 - ③ Shape: Blank-ordinary
 - ④ Material: P-Phosphor bronze
 - ⑤ Plating style: V01- All Gold Flash
 - ⑥ Plating method:
 - ⑦ Blank-Stamping before plating

For and on behalf of
KXB INDUSTRIAL PRECISION CO., LIMITED
 香港星坤工業精密有限公司

REVISIONS
 Authorized Signature(s)

MARK	DESCRIPTION	DATE	REVISED	APPROVED	UNSPECIFIED TOLERANCES
△ X					L > 63 ±0.5
△ X					16 < L ≤ 63 ±0.4
△ X					4 < L ≤ 16 ±0.3
△ X					L ≤ 4 ±0.2
					ANGULAR ±5°

REVISION	SHEET	WEIGHT	WELDING BOARD ANGLE	ROW NO.-PIN NO.	PLUG THE PIN & SPECIAL NO.	MATERIAL	CATEGORY	SERIES NO.
A0	1/1	1.0g	Blank-ordinary	XX-02P~05P	HF-Halogen free	46-PA46 94V-0	H-HSG	X1224 H X-XX HF-XX XX

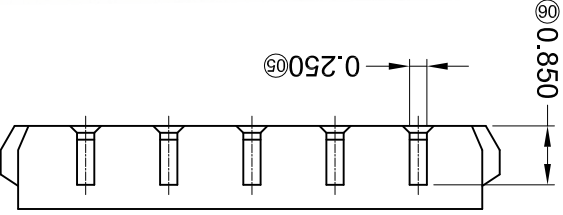
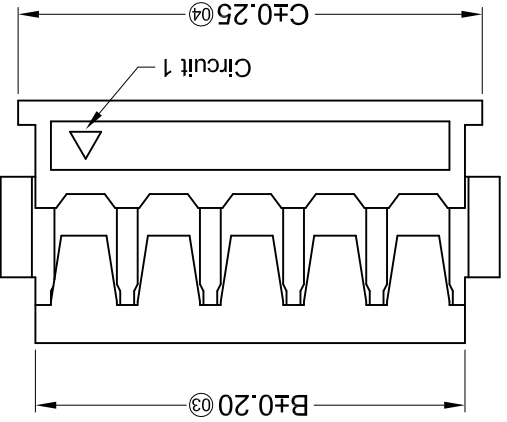
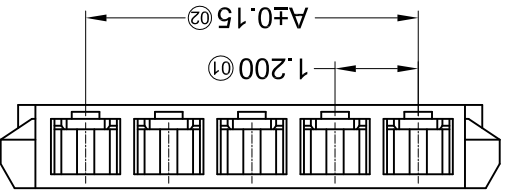
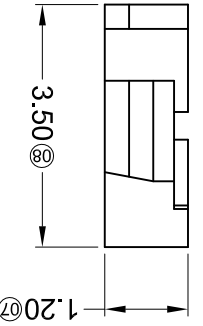
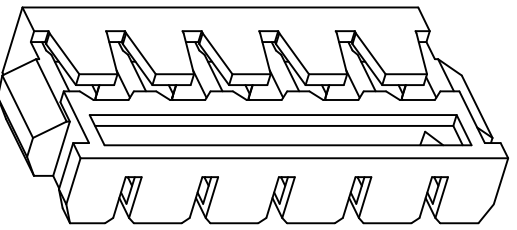
DATE	SCALE	MODEL TYPE	VIEW	UNIT	DATE	DATE	DATE
	N/A	X1224H-XXHF-XX	①	mm			

PART NO	MATERIAL	Suitable XKB Terminal
X1224H-XX-46	PA 46 UL 94V-0	Suitable XKB Terminal
X1224H-XX-LP	LCP UL 94V-0	
X1224H-XXHF-LP	LCP UL 94V-0 Halogen Free	

Poles	Dimensions(mm)		
	A	B	C
02	1.20	2.60	3.10
03	2.40	3.80	4.30
04	3.60	5.00	5.50
05	4.80	6.20	6.70

- ① Series No.
- ② Category: H-HSG
- ③ Welding Board Angle: Blank-ordinary
- ④ Row No.-Pin No.: XX-02P~05P
- ⑤ Plug the Pin & special No.: HF-Halogen free
- ⑥ Material: 46-PA46 94V-0; LP-LCP
- ⑦ Color: Blank-Natural Color Black

- Specifications :**
- Voltage rating: 50V AC / DC
 - Current rating: 2A AC / DC
 - Withstanding voltage: 500V AC/minute
 - Temperature range: -25°C~+85°C
 - Insulation resistance: ≥100MΩ
 - Contact resistance: ≤20mΩ
 - After environmental testing: ≤40mΩ



X-ON Electronics

Largest Supplier of Electrical and Electronic Components

Click to view similar products for [Headers & Wire Housings](#) category:

Click to view products by [XKB](#) manufacturer:

Other Similar products are found below :

[95000-104TRLF](#) [10135584-644402LF](#) [DF62W-EP2022PCA](#) [95000-106TRLF](#) [DF62W-2022SCA](#) [DF62W-EP2022PC](#) [2203348](#) [DF62W-2022SC](#) [1084018](#) [1029039](#) [1084017](#) [802-10-012-10-002000](#) [1112640](#) [1112639](#) [891-007-9SS-BST1T](#) [000-34000](#) [0008550134](#) [0009482033](#) [0009507031](#) [57102-F02-18ULF](#) [57102-S06-03LF](#) [57202-S52-04LF](#) [PCN6-15S-2.5E](#) [0039019024](#) [58102-G61-06LF](#) [582553-1](#) [0009485154](#) [0009508121](#) [0022285053](#) [0050291907](#) [018731A](#) [LY20-4P-DT1-P1E-BR](#) [02.125.8002.8](#) [60101931](#) [60598-1 \(Cut Strip\)](#) [M1625-3R/100](#) [61062-3](#) [61082-181009](#) [CSU011177004](#) [636-1427](#) [638009-1](#) [641938-9](#) [641991-4](#) [644168-1](#) [644827-2](#) [647662-1](#) [65039-019ELF](#) [65692-001LF](#) [65781-018](#) [65781-047](#)