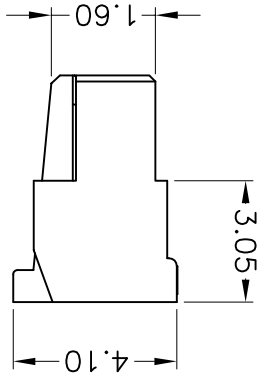
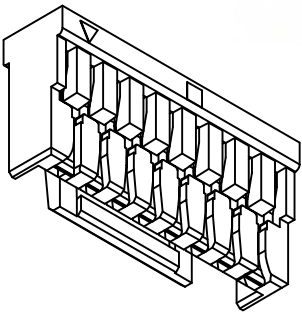
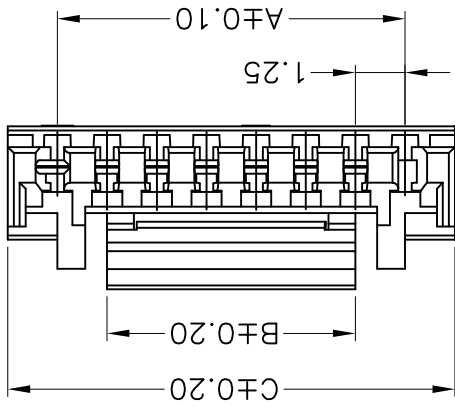
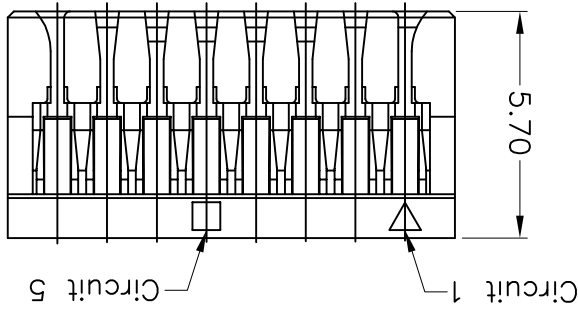
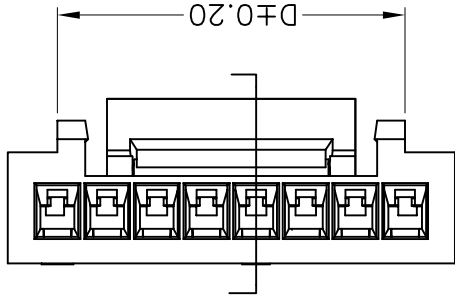


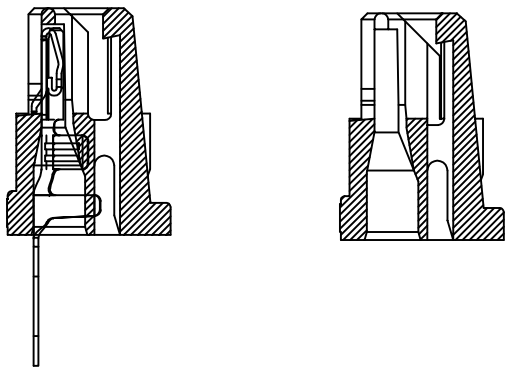
For and on behalf of
XKB INDUSTRIAL PRECISION CO., LIMITED
 香港星洲工業精密有限公司

MARK	DESCRIPTION	REVISIONS			UNSPECIFIED TOLERANCES	
		DATE	REVISED	APPROVED	L > 63	±0.5
△ X					16 > L ≤ 63	±0.4
△ X					4 < L ≤ 16	±0.3
△ X					L ≤ 4	±0.2
					ANGULAR	±5°

XKB INDUSTRIAL PRECISION CO., LIMITED		APPD		CHKD		DWN		DSND	
WEIGHT	SHEET	DATE	DATE	DATE	DATE	DATE	DATE	SCALE: N/A	MODEL TYPE:
1.0g	1/1								X1251H-XX-N0HF
REVISION A0		SIZE: A4							
		UNIT: mm							
		VIEW:							
		DWG NO.:							
		1.25mm Crimp Style Connectors							
		PART NO.:							
		X1251H-XX-N0HF							



插线状态



PART NO	Material	Suitable XKB Terminal	Suitable XKB Terminal
X1251H-XX-N0	PA66 UL 94V-0	X1251T	X1251W

Circuits	Dimensions (mm)		
	DIM. A	DIM. B	DIM. C
02	1.25	2.20	3.75
03	2.50	2.90	5.00
04	3.75	4.20	6.25
05	5.00	4.20	7.50
06	6.25	6.25	8.75
07	7.50	6.25	10.00
08	8.75	6.25	11.25
09	10.00	6.25	12.50
10	11.25	8.20	13.75
11	12.50	8.20	15.00
12	13.75	8.20	16.25
13	15.00	8.20	17.50
14	16.25	8.20	18.75
15	17.50	8.20	20.00

- ① Series No.
 ② Category: H-HSG
 ③ Welding Board Angle: Blank-ordinary
 ④ Row No.-Pin No.: XX-02P~15P
 ⑤ Plug the Pin & Special No.
 ⑥ Material: N0-PA66 94V-0

- Specifications :
- Voltage rating: 50V AC / DC
 - Current rating: 1A AC / DC
 - Withstanding voltage: 500V AC/minute
 - Temperature range: -25°C~+85°C
 - Insulation resistance: ≥100MΩ
 - Contact resistance: ≤30mΩ
 - After environmental testing: ≤50mΩ

X1251 H X-XX X-N0
 ① ② ③ ④ ⑤ ⑥

X-ON Electronics

Largest Supplier of Electrical and Electronic Components

Click to view similar products for [Headers & Wire Housings](#) category:

Click to view products by [XKB](#) manufacturer:

Other Similar products are found below :

[95000-104TRLF](#) [10135584-644402LF](#) [DF62W-EP2022PCA](#) [95000-106TRLF](#) [DF62W-2022SCA](#) [DF62W-EP2022PC](#) [2203348](#) [DF62W-2022SC](#) [1084018](#) [1029039](#) [1084017](#) [802-10-012-10-002000](#) [1112640](#) [1112639](#) [891-007-9SS-BST1T](#) [000-34000](#) [0008550134](#) [0009482033](#) [0009507031](#) [57102-F02-18ULF](#) [57102-S06-03LF](#) [57202-S52-04LF](#) [PCN6-15S-2.5E](#) [0039019024](#) [58102-G61-06LF](#) [582553-1](#) [0009485154](#) [0009508121](#) [0022285053](#) [0050291907](#) [018731A](#) [LY20-4P-DT1-P1E-BR](#) [02.125.8002.8](#) [60101931](#) [60598-1 \(Cut Strip\)](#) [M1625-3R/100](#) [61062-3](#) [61082-181009](#) [CSU011177004](#) [636-1427](#) [638009-1](#) [641938-9](#) [641991-4](#) [644168-1](#) [644827-2](#) [647662-1](#) [65039-019ELF](#) [65692-001LF](#) [65781-018](#) [65781-047](#)