

For and on behalf of
XKB INDUSTRIAL PRECISION CO., LIMITED
 香港星坤工業精密有限公司

REVISIONS
 Authorized Signatures(s)

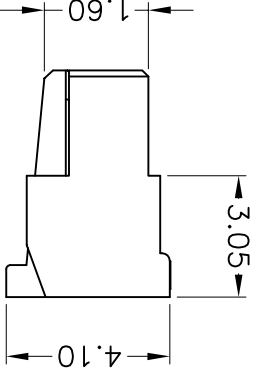
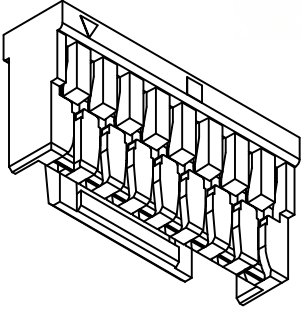
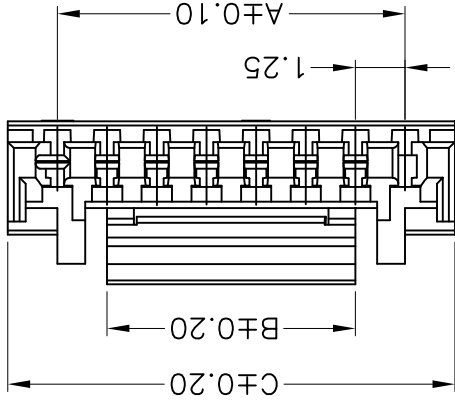
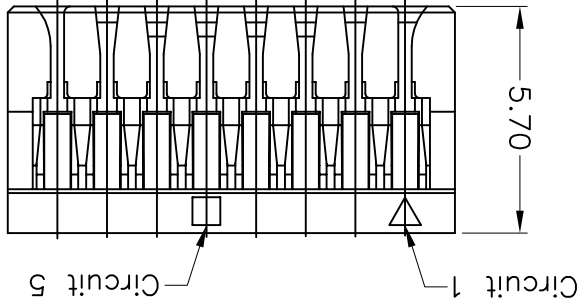
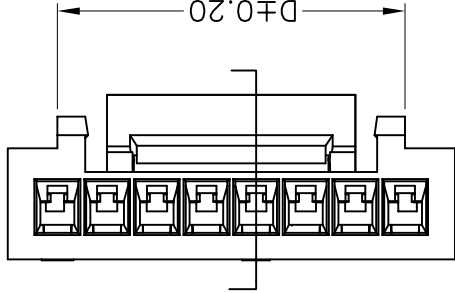
| MARK | DESCRIPTION | DATE | REVISED | APPROVED | UNSPECIFIED TOLERANCES |
|------|-------------|------|---------|----------|------------------------|
| △ X | | | | | $L > 63$ |
| △ X | | | | | $16 < L \leq 63$ |
| △ X | | | | | $4 < L \leq 16$ |
| △ X | | | | | $L \leq 4$ |
| | | | | | ANGULAR $\pm 5^\circ$ |

| REV | DATE | DESCRIPTION | REVISION |
|-----|------|-------------|----------|
| 8 | | | A0 |

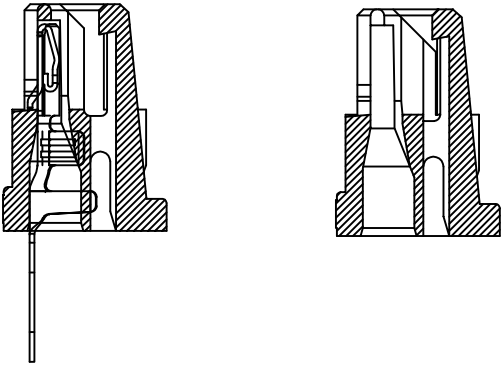
| | |
|--------|------|
| WEIGHT | 1.0g |
| SHEET | 1/1 |

XKB INDUSTRIAL PRECISION CO., LIMITED

| | | | |
|------|------|------------|----------------------------|
| DSND | DATE | SCALE: N/A | MODEL TYPE: X1251H-XX-N0HF |
| DWN | DATE | VIEW: | PART NO.: |
| CHKD | DATE | UNIT: mm | DWG NO.: |
| APPD | DATE | SIZE: A4 | |



插线状态



| Circuits | Dimensions (mm) | | |
|----------|-----------------|--------|--------|
| | DIM. A | DIM. B | DIM. C |
| 02 | 1.25 | 2.20 | 3.75 |
| 03 | 2.50 | 2.90 | 5.00 |
| 04 | 3.75 | 4.20 | 6.25 |
| 05 | 5.00 | 4.20 | 7.50 |
| 06 | 6.25 | 6.25 | 8.75 |
| 07 | 7.50 | 6.25 | 10.00 |
| 08 | 8.75 | 6.25 | 11.25 |
| 09 | 10.00 | 6.25 | 12.50 |
| 10 | 11.25 | 8.20 | 13.75 |
| 11 | 12.50 | 8.20 | 15.00 |
| 12 | 13.75 | 8.20 | 16.25 |
| 13 | 15.00 | 8.20 | 17.50 |
| 14 | 16.25 | 8.20 | 18.75 |
| 15 | 17.50 | 8.20 | 20.00 |

- ① Series No.
 ② Category: H-HSG
 ③ Welding Board Angle: Blank-ordinary
 ④ Row No.-Pin No.: XX-02P~15P
 ⑤ Plug the Pin & Special No.
 ⑥ Material: N0-PA66 94V-0
- X1251 H X-XX X-N0
 ① ② ③ ④ ⑤ ⑥

- Specifications:
- Voltage rating: 50V AC / DC
 - Current rating: 1A AC / DC
 - Withstanding voltage: 500V AC/minute
 - Temperature range: -25°C~+85°C
 - Insulation resistance: $\geq 100M\Omega$
 - Contact resistance: $\leq 30m\Omega$
 - After environmental testing: $\leq 50m\Omega$

| PART NO | Material | Suitable XKB Terminal | Suitable XKB Terminal |
|--------------|---------------|-----------------------|-----------------------|
| X1251H-XX-N0 | PA66 UL 94V-0 | X1251T | X1251W |

X-ON Electronics

Largest Supplier of Electrical and Electronic Components

Click to view similar products for [Headers & Wire Housings](#) category:

Click to view products by [XKB](#) manufacturer:

Other Similar products are found below :

[95000-104TRLF](#) [10135584-644402LF](#) [DF62W-EP2022PCA](#) [95000-106TRLF](#) [DF62W-2022SCA](#) [DF62W-EP2022PC](#) [2203348](#) [DF62W-2022SC](#) [1084018](#) [1029039](#) [1084017](#) [802-10-012-10-002000](#) [1112640](#) [1112639](#) [891-007-9SS-BST1T](#) [000-34000](#) [0008550134](#) [0009482033](#) [0009507031](#) [57102-F02-18ULF](#) [57102-S06-03LF](#) [57202-S52-04LF](#) [PCN6-15S-2.5E](#) [0039019024](#) [58102-G61-06LF](#) [582553-1](#) [0009485154](#) [0009508121](#) [0022285053](#) [0050291907](#) [018731A](#) [LY20-4P-DT1-P1E-BR](#) [02.125.8002.8](#) [60101931](#) [60598-1 \(Cut Strip\)](#) [M1625-3R/100](#) [61062-3](#) [61082-181009](#) [CSU011177004](#) [636-1427](#) [638009-1](#) [641938-9](#) [641991-4](#) [644168-1](#) [644827-2](#) [647662-1](#) [65039-019ELF](#) [65692-001LF](#) [65781-018](#) [65781-047](#)