

For and on behalf of
XKB INDUSTRIAL PRECISION CO., LIMITED
 香港星洲工業精密有限公司

REVISIONS
 Authorized Signatures(s)

MARK	DESCRIPTION	DATE	REVISED	APPROVED	UNSPECIFIED TOLERANCES
△ X					± 0.5
△ X					$16 < L \leq 63$
△ X					$4 < L \leq 16$
					$L \leq 4$
					± 0.2
					ANGULAR $\pm 5^\circ$

REVISION	SHEET	WEIGHT	WGT	DATE	DATE	DATE	DATE	DATE	DATE
A0	1/1	1.0g	1.0g						

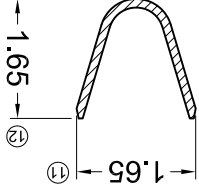
XKB INDUSTRIAL PRECISION CO., LIMITED

DSND	SCALE: N/A	DATE	DATE	DATE	DATE
DWN	VIEW:	DATE	DATE	DATE	DATE
CHKD	UNIT: mm	DATE	DATE	DATE	DATE
APPD	SIZE: A4	DATE	DATE	DATE	DATE

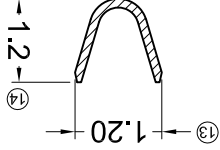
PART NO.: X1251T-PXX
 MODEL TYPE: X1251T-PXX
 DWG NO.: 1.25mm Crimp Style Connectors

PART NO	Material	Wire Range	Insulation O.D.	Finish	Suitable XKB Terminal
X1251T-PV01	Phosphor Bronze	AWG#26-30	1.00mm(Max)	Stamping Before Plating:30u" Ni MIN.; Whole Gold :Gold Flash	X1251H
X1251T-PSN	Phosphor Bronze	AWG#26-30	1.00mm(Max)	Stamping Before Plating:30u" MIN. Ni; 70u" MIN.Sn	

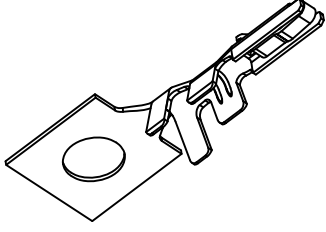
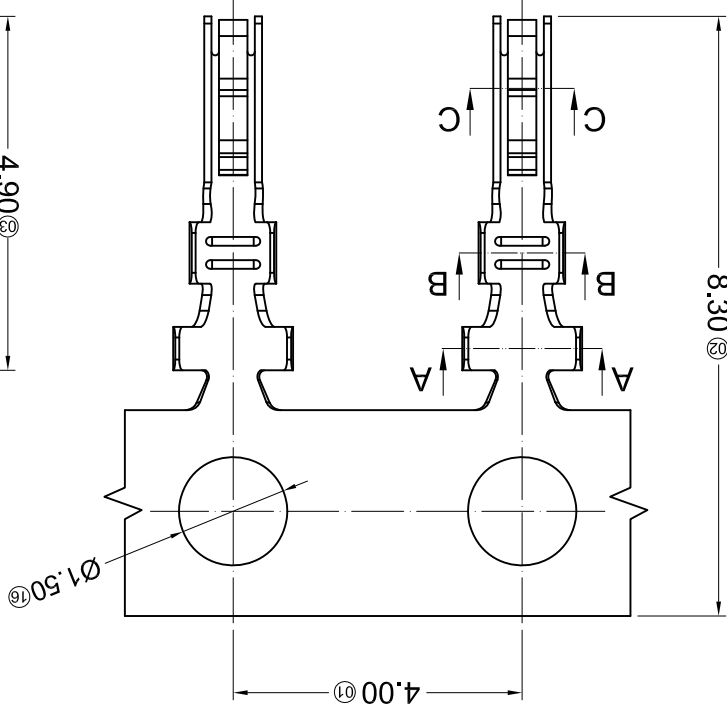
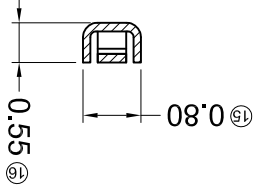
SECTION: A-A
 SCALE: 1:1



SECTION: B-B
 SCALE: 1:1



SECTION: C-C
 SCALE: 1:1



X1251 T X-P XX X-X
 ① Series Number
 ② Category: T-terminal
 ③ Shape: Blank-ordinary
 ④ Material: P-Phosphor bronze
 ⑤ Plating style: V01-Gold Flash ; SN-Bright tin plating
 ⑥ Plating method: Blank-Stamping before plating
 ⑦ Mold No./Mark/Special No.

- Specifications :
- Voltage rating: 50V AC / DC
 - Current rating: 1A AC / DC
 - Withstanding voltage: 500V AC/minute
 - Temperature range: -25°C~+85°C
 - Insulation resistance: $\geq 100M\Omega$
 - Contact resistance: $\leq 30m\Omega$
 - After environmental testing: $\leq 50m\Omega$

X-ON Electronics

Largest Supplier of Electrical and Electronic Components

Click to view similar products for [Terminals](#) category:

Click to view products by [XKB](#) manufacturer:

Other Similar products are found below :

[HT-13-10](#) [71M-250-32-NB](#) [01-2065-1-0216](#) [00581P0075](#) [M10-10RX](#) [M10BCK](#) [60205-1](#) [604200-1](#) [60598-1-CUT-TAPE](#) [60617-1-C](#) [60873-1](#) [M14-516R/SK](#) [M14-6RSX](#) [M18-10FLX](#) [M18-8FBX](#) [M18-8R/LX](#) [M18BCK](#) [61314-6-C](#) [61-S](#) [61-SN-A](#) [62-NBM-A](#) [63-S](#) [640179-1](#) [640917-2-CUT-TAPE](#) [6501550002](#) [66107-2-C](#) [66107-4-C](#) [696683-1](#) [696834-1](#) [696861-1](#) [696931-1](#) [696999-1](#) [M8-516RK](#) [M86700006](#) [MA250DMFMX-A](#) [701-2007](#) [701-2307](#) [701-7761-03](#) [70F-110-32-PB](#) [718-N-A](#) [71M-187-20-NBL](#) [71M-250-32-NBL](#) [72F-187-20-NBL](#) [72M-250-32-NBL](#) [7310](#) [73F-250-32](#) [73F-250-32-NBL](#) [73F-250-32-NL](#) [F14-10C](#) [F-1M](#)