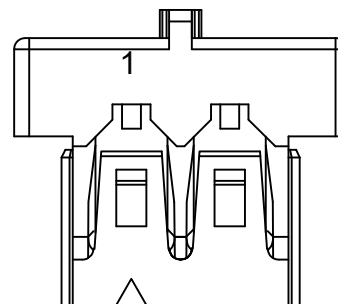
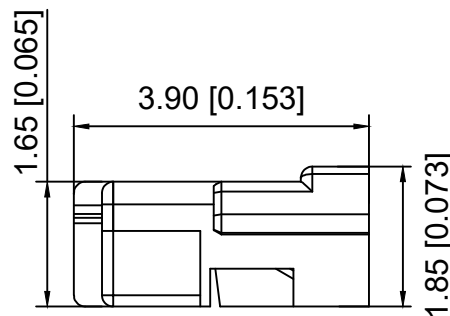
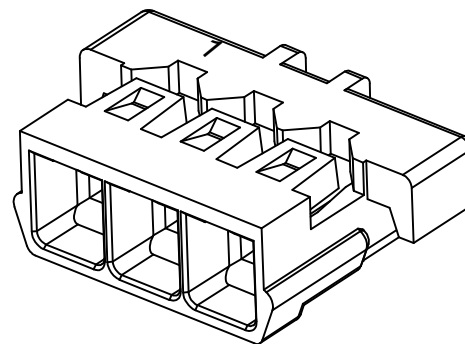


3~12 Pin Shape



02 Pin Shape

Specifications:

规格:  
 Voltage rating:30V AC/DC  
 额定电压: 30V AC/DC  
 Current rating:3A AC/DC  
 额定电流: 3A AC/DC  
 Withstanding voltage:500V AC/minute  
 耐受电压: 500V AC/分钟  
 Temperature range:-40℃~+105℃  
 温度范围: -40℃~+105℃  
 Insulation resistance:100MΩ min  
 绝缘电阻: 100MΩ Min  
 Contact resistance:20mΩ Max  
 接触电阻: 20mΩ Max

X1300 H - XX - N0 HF X  
 ① ② ③ ④ ⑤ ⑥

- 1.Series No
- 2.Category:H-HSG
- 3.Row No.Pin No:XX-02~12P
- 4.Material:N0-PA66 UL94V-0
- 5.Special No:HF-Halogen Free
- 6.Color:Blank-Natural ; BK-Black

| Poles | Dimensions(mm) |      |      | Poles | Dimensions(mm) |       |       |
|-------|----------------|------|------|-------|----------------|-------|-------|
|       | A              | B    | C    |       | A              | B     | C     |
| 02    | 3.15           | 2.85 | 1.30 | 08    | 10.95          | 10.65 | 9.10  |
| 03    | 4.45           | 4.15 | 2.60 | 09    | 12.25          | 11.95 | 10.40 |
| 04    | 5.75           | 5.45 | 3.90 | 10    | 13.55          | 13.25 | 11.70 |
| 05    | 7.05           | 6.75 | 5.20 | 11    | 14.85          | 14.55 | 13.00 |
| 06    | 8.35           | 8.05 | 6.50 | 12    | 16.15          | 15.85 | 14.30 |
| 07    | 9.65           | 9.35 | 7.80 |       |                |       | /     |

|                  |          |                    |                       |
|------------------|----------|--------------------|-----------------------|
| X1300H-XX-N0HF   | PA66     | X1300W             | X1300T                |
| X1300H-XX-N0HFBK |          |                    |                       |
| PART NO          | Material | Suitable XKB Wafer | Suitable XKB Terminal |

|      |             |  |
|------|-------------|--|
| DSND | SCALE: N/A  | MODEL TYPE:<br>1.3mm Crimp Style Connector |
| DWN  | VIEW:       | PART NO.:<br>X1300H-XX-N0HF                |
| CHKD | UNIT: mm/in | DWG NO.:<br>X-X1300H-XX-N0HF               |
| APPD | SIZE: A4    | WEIGHT SHEET REVISION<br>1/1 A0            |



XKB INDUSTRIAL PRECISION CO.,LIMITED

| MARK | DESCRIPTION | DATE | REVISED | APPROVED | UNSPECIFIED TOLERANCES |
|------|-------------|------|---------|----------|------------------------|
| Δx   |             |      |         |          | ANGLAR ±5°             |
| Δx   |             |      |         |          | L ≤ 4 ±0.2             |
| Δx   |             |      |         |          | 4 < L ≤ 16 ±0.3        |
|      |             |      |         |          | 16 < L ≤ 63 ±0.4       |
|      |             |      |         |          | L > 63 ±0.5            |

## X-ON Electronics

Largest Supplier of Electrical and Electronic Components

*Click to view similar products for [Headers & Wire Housings](#) category:*

*Click to view products by [XKB](#) manufacturer:*

Other Similar products are found below :

[0015917161](#) [0022155065](#) [57102-F02-18ULF](#) [58102-G61-06LF](#) [582553-1](#) [01.001.5753.1](#) [0050291907](#) [02.125.8002.8](#) [609-3404](#) [61062-3](#)  
[CSU011177004](#) [622-0430](#) [622-3653LF](#) [63453-116](#) [636-1030](#) [636-1427](#) [636-3427](#) [636-4007](#) [641938-9](#) [65495-038](#) [65692-001LF](#) [65781-018](#)  
[65781-047](#) [65817-010LF](#) [65817-015LF](#) [67095-007LF](#) [67601157](#) [68631-112](#) [68645-018](#) [699319-000](#) [70.362.1628.0](#) [70-4210](#) [70-4226B](#) [70-](#)  
[4853B](#) [71.350.2428.0](#) [733-134](#) [733-162](#) [760-3052](#) [MHR-64-VUAL](#) [80.063.4001.1](#) [800-90-001-10-001000](#) [801-43-002-10-013000](#)  
[801-43-006-10-002000](#) [803-43-024-10-001000](#) [803-93-012-10-001000](#) [8-1437020-4](#) [819-22-004-30-001101](#) [820-22-006-30-001101](#)  
[820-22-008-30-001101](#) [821-22-002-10-001101](#)