

广东星坤科技股份有限公司

| | |
|------|----|
| △X | 日期 |
| △X | 日期 |
| △X | 日期 |
| MARK | |

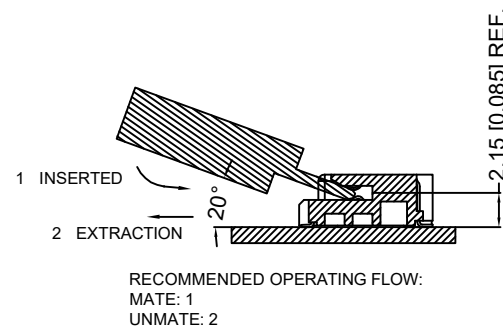
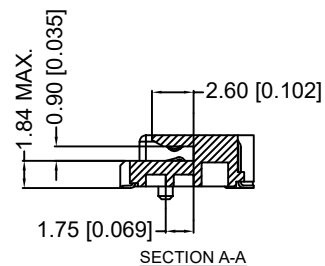
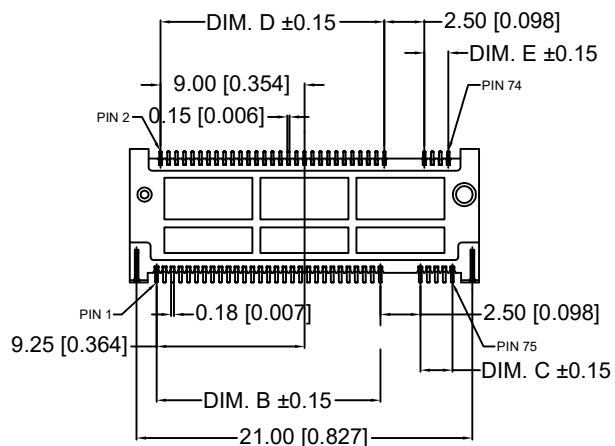
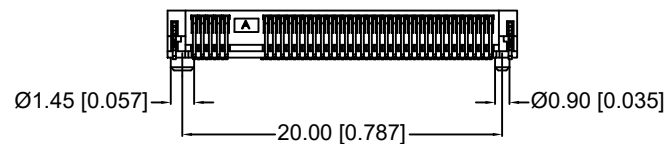
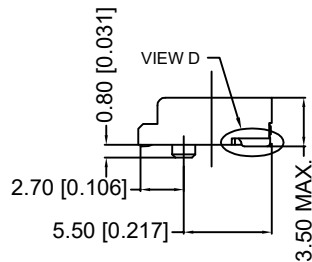
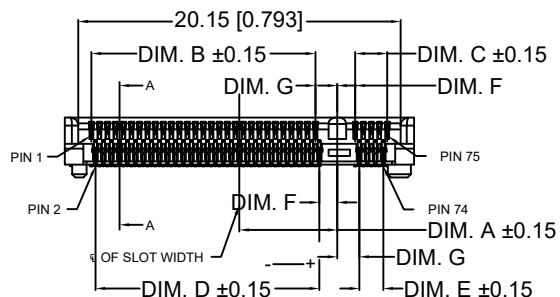
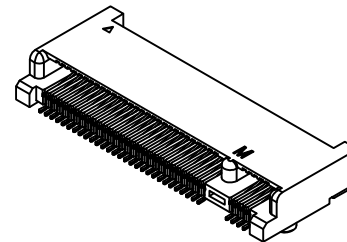
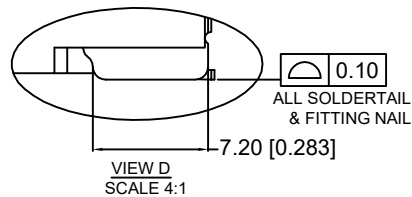
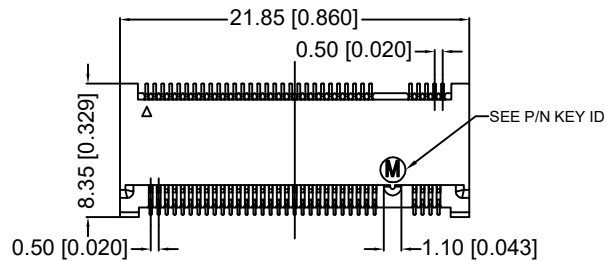
文件工程章

| DESCRIPTION | DATE | REVISED | APPROVED | UNSPECIFIED TOLERANCES |
|-------------|------|---------|----------|------------------------|
| | | | | ANGULAR ±5° |
| | | | | L ≤ 4 ±0.2 |
| | | | | 4 < L ≤ 16 ±0.3 |
| | | | | 16 < L ≤ 63 ±0.4 |
| | | | | L > 63 ±0.5 |

www.helloxkb.com www.helloxkb.cn www.xk-dg.cn

| | | |
|---------------------------------------|-------------|-------------------------------|
| DSND | SCALE: N/A | MODEL TYPE: |
| DWN | VIEW: | PART NO.: X1302WVS-67XX-LPV01 |
| CHKD | UNIT: mm/in | DWG NO.: |
| APPD | SIZE: A4 | X-X1302WVS-67XX-LPV01 |
| XKB INDUSTRIAL PRECISION CO., LIMITED | | WEIGHT SHEET REVISION 1/1 A0 |



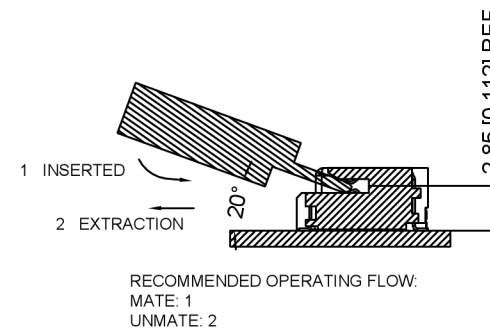
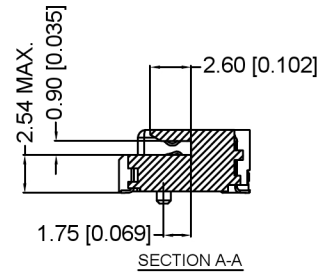
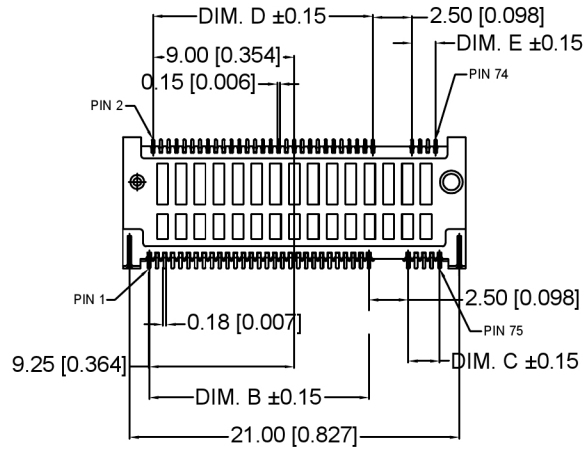
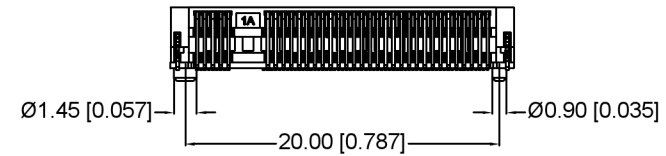
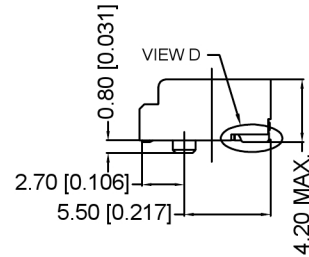
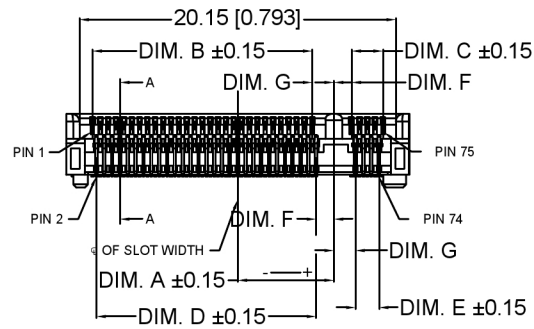
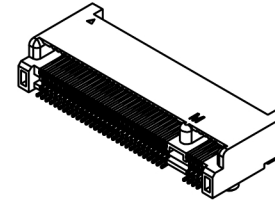
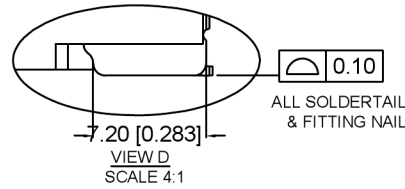
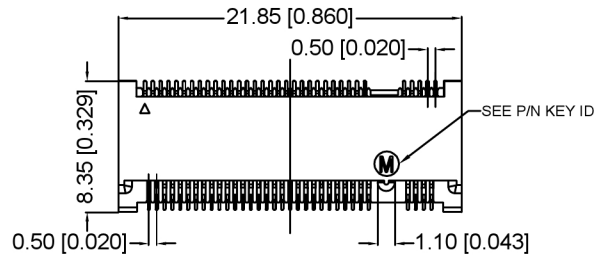


| | | | | | | | |
|---|--|--|--|--|--|------------------------|------|
| | | | | | | ANGLAR | ±5° |
| ΔX | | | | | | L ≤ 4 | ±0.2 |
| ΔX | | | | | | 4 < L ≤ 16 | ±0.3 |
| ΔX | | | | | | 16 < L ≤ 63 | ±0.4 |
| MARK | | | | | | L > 63 | ±0.5 |
| REVISIONS | | | | | | UNSPECIFIED TOLERANCES | |
| www.helloxkb.com www.helloxkb.cn www.xk-dg.cn | | | | | | | |

| | | | |
|------|--|-------------|-----------------------|
| DSND | | SCALE: N/A | MODEL TYPE: |
| DWN | | VIEW: | PART NO.: |
| CHKD | | UNIT: mm/in | X1302WVS-67XX-LPVC |
| APPD | | SIZE: A4 | DWG NO.: |
| | | | X-X1302WVS-67XX-LPV01 |
| | | WEIGHT | SHEET |
| | | | 1/1 |
| | | REVISIC | A0 |



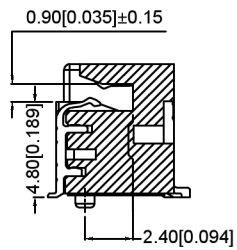
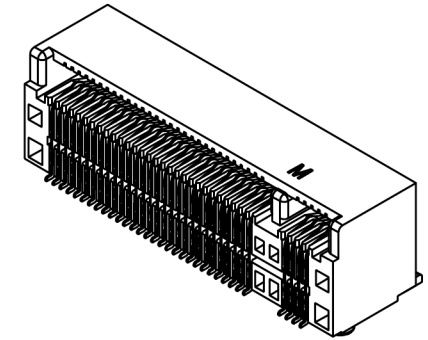
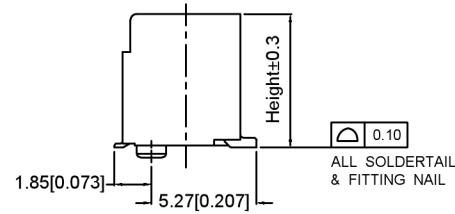
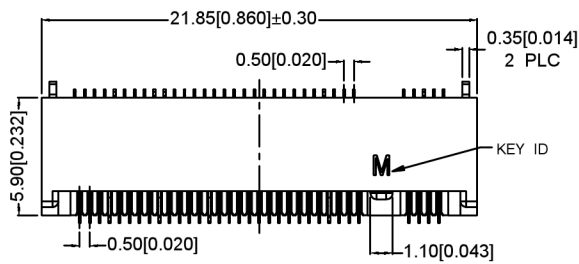
XKB INDUSTRIAL PRECISION CO., LIMITED



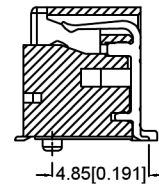
广东星坤科技股份有限公司
 生效日期
 文件工程章

| | | | | | |
|-------------|------|---------|----------|------------------------|------|
| DESCRIPTION | DATE | REVISED | APPROVED | ANGULAR | ±5° |
| REVISIONS | | | | L ≤ 4 | ±0.2 |
| | | | | 4 < L ≤ 16 | ±0.3 |
| | | | | 16 < L ≤ 63 | ±0.4 |
| | | | | L > 63 | ±0.5 |
| | | | | UNSPECIFIED TOLERANCES | |

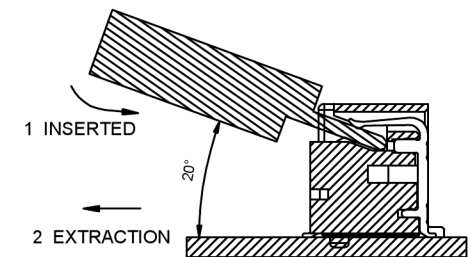
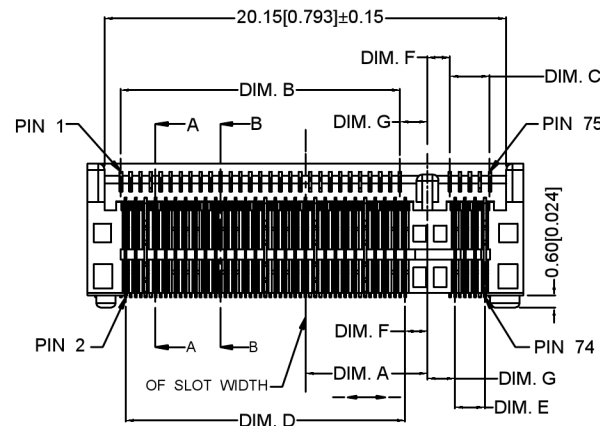
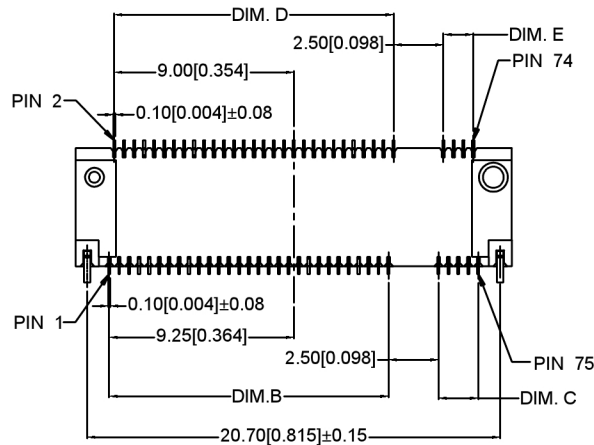
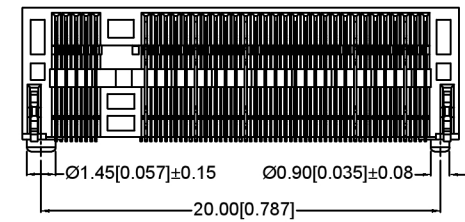
| | | |
|---------------------------------------|-------------|-------------------------------|
| DSND | SCALE: N/A | MODEL TYPE: |
| DWN | VIEW: | PART NO.: X1302WVS-67XX-LPV01 |
| CHKD | UNIT: mm/in | DWG NO.: |
| APPD | SIZE: A4 | X-X1302WVS-67XX-LPV01 |
| KXB INDUSTRIAL PRECISION CO., LIMITED | | WEIGHT SHEET REVISION |
| | | 1/1 A0 |



SECTION A-A



SECTION B-B



RECOMMENDED OPERATING FLOW:
MATE: 1
UNMATE: 2

广东星坤科技股份有限公司

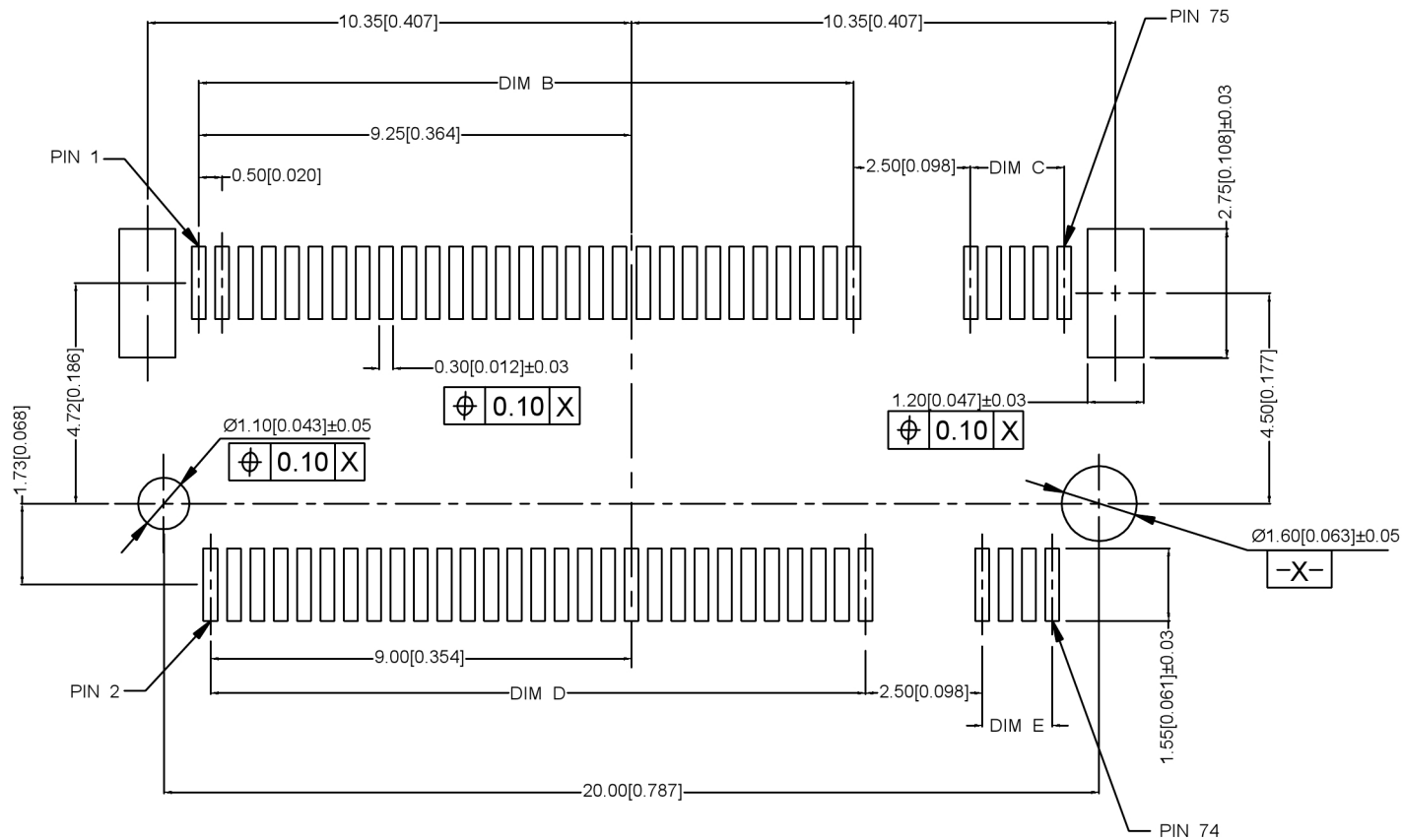
| | |
|------|-------------|
| Δ# | 日期 |
| ΔX | 日期 |
| ΔX | 日期 |
| MARK | DESCRIPTION |
| 文件 | 工程章 |

| | | | | | | | |
|--|--|--|--|--|--|------------------------|------|
| | | | | | | ANGULAR | ±5° |
| | | | | | | L ≤ 4 | ±0.2 |
| | | | | | | 4 < L ≤ 16 | ±0.3 |
| | | | | | | 16 < L ≤ 63 | ±0.4 |
| | | | | | | L > 63 | ±0.5 |
| | | | | | | UNSPECIFIED TOLERANCES | |



| | | | |
|------|--|-------------|-----------------------|
| DSND | | SCALE: N/A | MODEL TYPE: |
| DWN | | VIEW: | PART NO.: |
| CHKD | | UNIT: mm/in | X1302WVS-67XX-LPV01 |
| APPD | | SIZE: A4 | DWG NO.: |
| | | | X-X1302WVS-67XX-LPV01 |
| | | | WEIGHT |
| | | | SHEET |
| | | | REVISION |
| | | | 1/1 |
| | | | A0 |

XKB INDUSTRIAL PRECISION CO., LIMITED

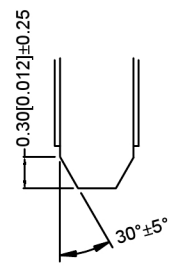
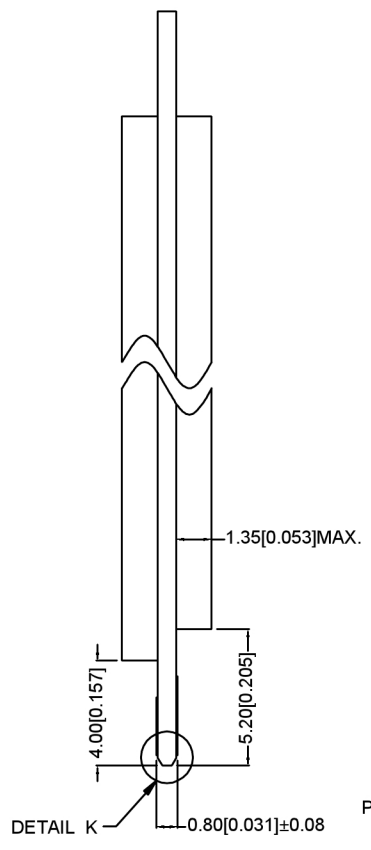
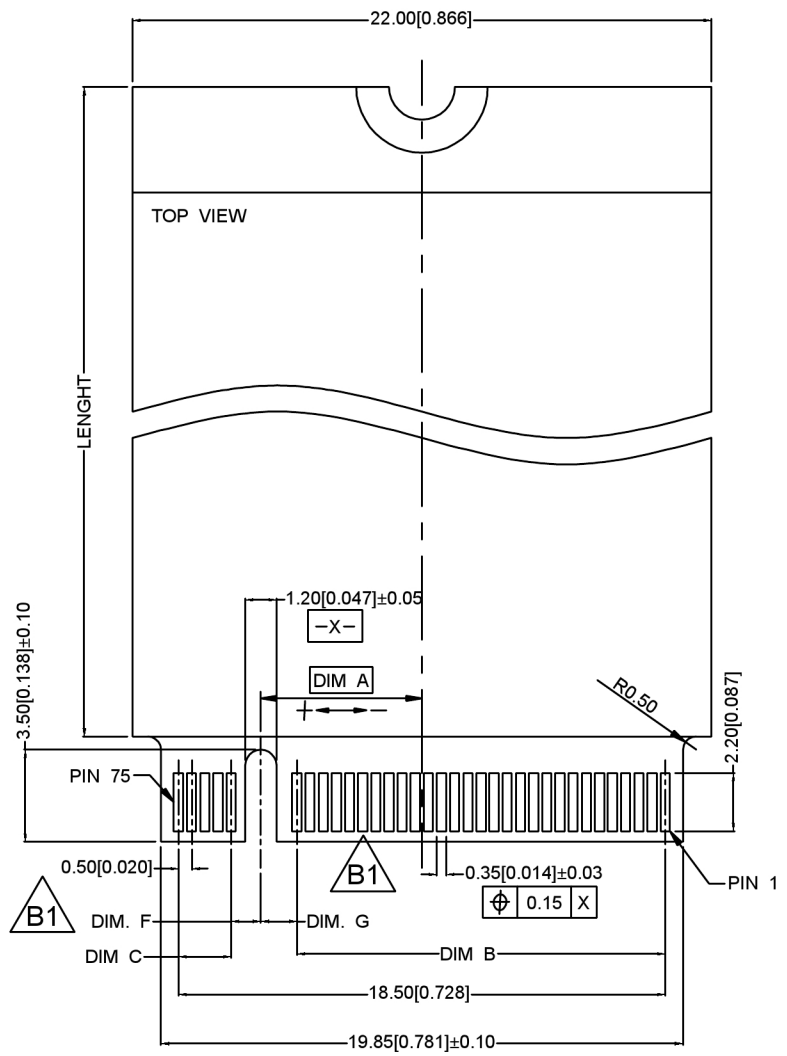


广东星坤科技股份有限公司
 文件工程章

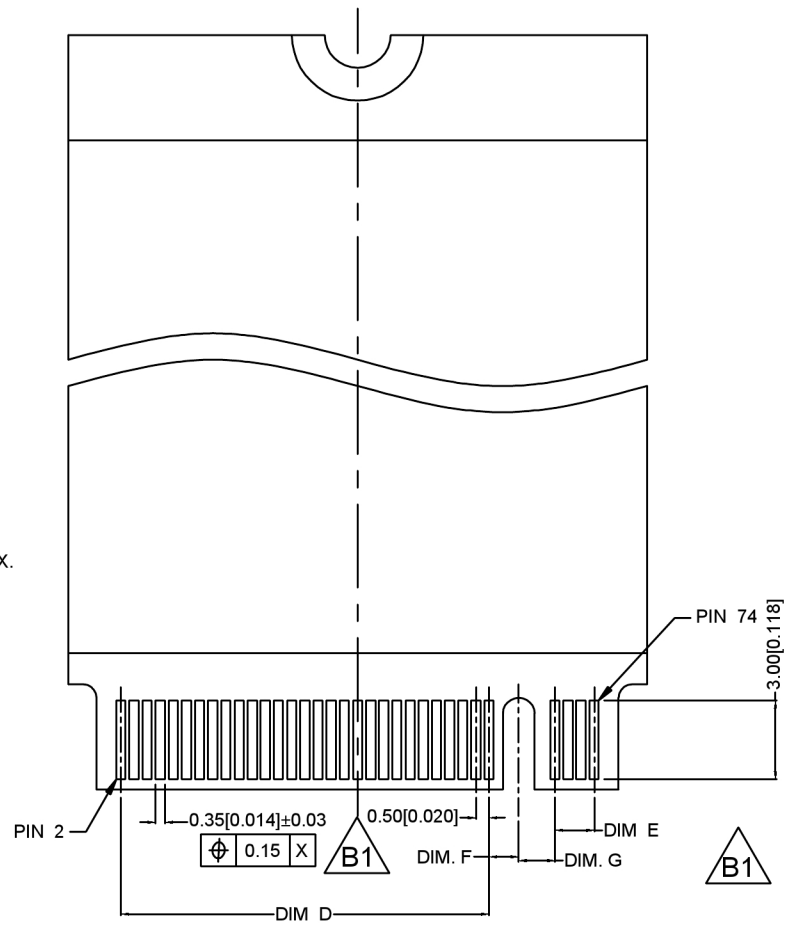
| MARK | DESCRIPTION | DATE | REVISED | APPROVED | UNSPECIFIED TOLERANCES |
|------|-------------|------|---------|----------|------------------------|
| Δ* | 日期 | | | | ANGLAR ±5° |
| Δ* | | | | | L ≤ 4 ±0.2 |
| Δ* | | | | | 4 < L ≤ 16 ±0.3 |
| | | | | | 16 < L ≤ 63 ±0.4 |
| | | | | | L > 63 ±0.5 |



| | | |
|---------------------------------------|-------------|--------------------------------|
| DSND | SCALE: N/A | MODEL TYPE: |
| DWN | VIEW: | PART NO.: X1302WVS-67XX-LPV01 |
| CHKD | UNIT: mm/in | DWG NO.: X-X1302WVS-67XX-LPV01 |
| APPD | SIZE: A4 | WEIGHT SHEET REVISION |
| XKB INDUSTRIAL PRECISION CO., LIMITED | | 1/1 A0 |



DETAIL K
SCALE 4:1



广东星坤科技股份有限公司
 文件工程章

| | |
|------------------------|------|
| ANGLAR | ±5° |
| L ≤ 4 | ±0.2 |
| 4 < L ≤ 16 | ±0.3 |
| 16 < L ≤ 63 | ±0.4 |
| L > 63 | ±0.5 |
| UNSPECIFIED TOLERANCES | |



| | | |
|---------------------------------------|-------------|-----------------------------------|
| DSND | SCALE: N/A | MODEL TYPE: |
| DWN | VIEW: | PART NO.: X1302WWS-67XX-LPV01 |
| CHKD | UNIT: mm/in | DWG NO.: X-X1302WWS-67XX-LPV01 |
| APPD | SIZE: A4 | WEIGHT |
| KXB INDUSTRIAL PRECISION CO., LIMITED | | SHEET |
| | | REVISION |
| | | 1/1 |
| | | A0 |

NOTES 注释:

1. MATERIAL材料:

1.1 HOUSING外壳: THERMOPLASTIC, HIGH TEMP.,
UL94V-0;
COLOR: BLACK.

1.2 CONTACTS触点: COPPER ALLOY.

1.3 FITTING NAIL装配钉: COPPER ALLOY.

2. FINISH饰面:

2.1 CONTACT触点:

[SEE TABLE] GOLD PLATING ON THE CONTACT AREA.
GOLD FLASH PLATING ON THE SOLDERING AREA.

1.27um~2.54um [50u"~100u"] MIN. NICKEL UNDERPLATING OVERALL

2.2 FITTING NAIL装配钉:

2.54um~5.08um [100u"~200u"] MIN. MATTE-TIN PLATING
ON THE SOLDERING AREA

1.27um~2.54um [50u"~100u"] MIN. NICKEL UNDERPLATING OVERALL.

X1302 W V S - 67 X X - LP V01

① ② ③ ④ ⑤ ⑥ ⑦ ⑧ ⑨

①Series Number

②Terminal form: W-Wafer

③Welding Board Angle : V-Stright Angle 180°

④Welding Way:S-SMT

⑤No.of Pins: XX-67 PIN

⑥HEIGHT: A 3.2mm;B 3.5mm;C 4.2mm;
D 5.5mm;E 6.7mm;F 8.5mm

⑦KEY ID: A,B,C,D,E,F,G,H,J,K,L,M

⑧Plastic material: LP-LCP UL94V-0

⑨Contact Plating:V01-Gold Flash
V15 -Gold 15"u"
V30 -Gold 30"u"



| | | | | | | | |
|--------|--------|--------|--------|--------|--------|--------|--------|
| 1.375 | 1.125 | 1.5 | 14.0 | 2.0 | 14.0 | 6.125 | M |
| 1.375 | 1.125 | 2.5 | 13.0 | 3.0 | 13.0 | 5.125 | L |
| 1.375 | 1.125 | 3.5 | 12.0 | 4.0 | 12.0 | 4.125 | K |
| 1.375 | 1.125 | 4.5 | 11.0 | 5.0 | 11.0 | 3.125 | J |
| 1.375 | 1.125 | 5.5 | 10.0 | 6.0 | 10.0 | 2.125 | H |
| 1.375 | 1.125 | 6.5 | 9.0 | 7.0 | 9.0 | 1.125 | G |
| DIM. G | DIM. F | DIM. E | DIM. D | DIM. C | DIM. B | DIM. A | KEY ID |



| | | | | | | | |
|--------|--------|--------|--------|--------|--------|--------|--------|
| 1.125 | 1.375 | 9.5 | 6.0 | 9.5 | 6.5 | -1.625 | F |
| 1.125 | 1.375 | 10.5 | 5.0 | 10.5 | 5.5 | -2.625 | E |
| 1.125 | 1.375 | 11.5 | 4.0 | 11.5 | 4.5 | -3.625 | D |
| 1.125 | 1.375 | 12.5 | 3.0 | 12.5 | 3.5 | -4.625 | C |
| 1.125 | 1.375 | 13.5 | 2.0 | 13.5 | 2.5 | -5.625 | B |
| 1.125 | 1.375 | 14.5 | 1.0 | 14.5 | 1.5 | -6.625 | A |
| DIM. G | DIM. F | DIM. E | DIM. D | DIM. C | DIM. B | DIM. A | KEY ID |

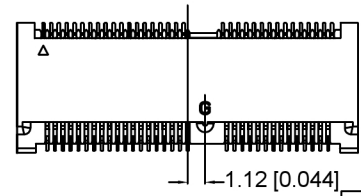
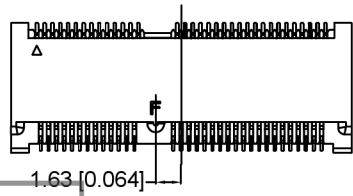
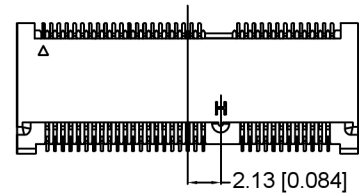
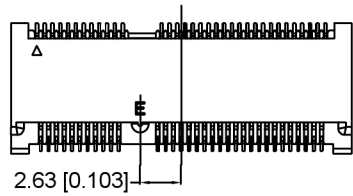
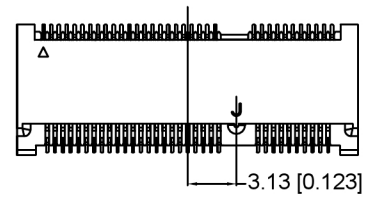
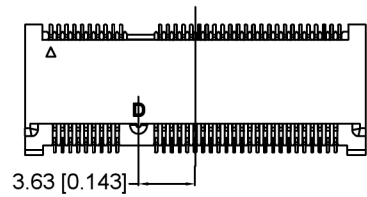
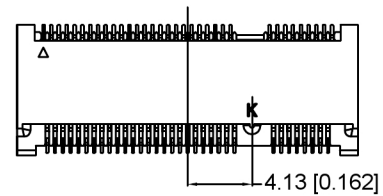
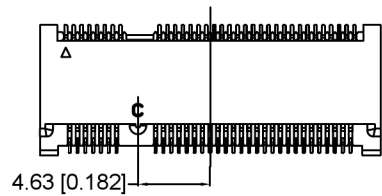
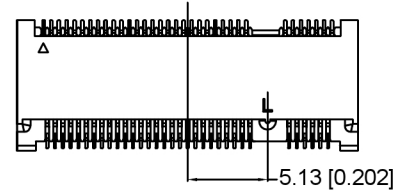
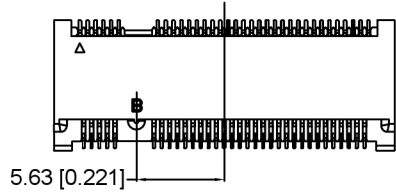
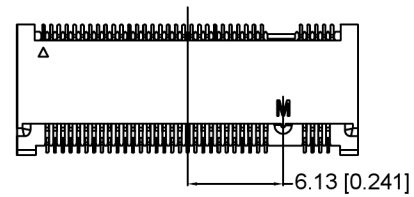
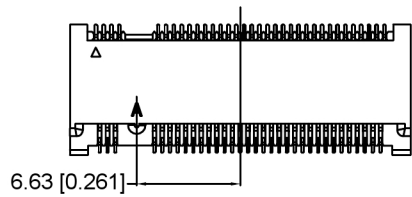
广东星坤科技股份有限公司

文件工程章

| MARK | DESCRIPTION | DATE | REVISED | APPROVED | UNSPECIFIED TOLERANCES |
|------|-------------|------|---------|----------|------------------------|
| Δ姓 | | | | | ANGLAR ±5° |
| Δ数 | | | | | L ≤ 4 ±0.2 |
| Δx | | | | | 4 < L ≤ 16 ±0.3 |
| | | | | | 16 < L ≤ 63 ±0.4 |
| | | | | | L > 63 ±0.5 |



| | | | |
|---------------------------------------|--|-------------|--------------------------------|
| DSND | | SCALE: N/A | MODEL TYPE: |
| DWN | | VIEW: | PART NO.: X1302WVS-67XX-LPV01 |
| CHKD | | UNIT: mm/in | DWG NO.: X-X1302WVS-67XX-LPV01 |
| APPD | | SIZE: A4 | WEIGHT SHEET REVISION |
| XKB INDUSTRIAL PRECISION CO., LIMITED | | | 1/1 A0 |



广东星坤科技股份有限公司

生效日期

文件工程章

| NO. | DESCRIPTION | DATE | REVISED | APPROVED | UNSPECIFIED TOLERANCES |
|-----|-------------|------|---------|----------|------------------------|
| | | | | | ANGULAR ±5° |
| | | | | | L ≤ 4 ±0.2 |
| | | | | | 4 < L ≤ 16 ±0.3 |
| | | | | | 16 < L ≤ 63 ±0.4 |
| | | | | | L > 63 ±0.5 |

| | | | |
|---------------------------------------|--|-------------|--------------------------------|
| DSND | | SCALE: N/A | MODEL TYPE: |
| DWN | | VIEW: | PART NO.: X1302WWS-67XX-LPV01 |
| CHKD | | UNIT: mm/in | DWG NO.: X-X1302WWS-67XX-LPV01 |
| APPD | | SIZE: A4 | WEIGHT SHEET REVISION |
| XKB INDUSTRIAL PRECISION CO., LIMITED | | | 1/1 A0 |



X-ON Electronics

Largest Supplier of Electrical and Electronic Components

Click to view similar products for [I/O Connectors](#) category:

Click to view products by [XKB](#) manufacturer:

Other Similar products are found below :

[571763P](#) [59811-0000](#) [61-168618-12P](#) [D20419-211](#) [76871-1403](#) [PCR-E36PM](#) [PCS-XE26LKA](#) [PCS-XES68MS+](#) [G38A71314B](#) [DX40-50P\(55\)](#) [1571250010](#) [157-22500-3](#) [192991-0703](#) [SM3100RC14S-9P-115](#) [FCN-260C008-A/L0](#) [FCN-260C024-AL0](#) [FCN-261Z008](#) [2000314-1](#) [200331-1](#) [PCS-E28FS+](#) [PCS-XE26SLFDT+](#) [G730VID08BDC24](#) [HDR-E14MSG1+](#) [54182-0605](#) [UE86K842720321](#) [DP3AR020WQ1R200](#) [DRA-26PC-F0R](#) [Z4.102.0680.0](#) [500-1040](#) [500-1052](#) [ZP-4008-66L](#) [DX40-20P\(55\)](#) [5554841-1](#) [SM3100F14S-12P](#) [U90B3054061110](#) [U65-E04-4020](#) [557-262M2-06C](#) [60-042222-02S](#) [10099439-003C-TRLF](#) [226-0348-000](#) [10137239-0011LF](#) [70.060.1028.0](#) [109029-ZZ](#) [HDR-E26MG1+](#) [SO-0715-02-01-02](#) [GT1-DA04CST](#) [91-569769-35P](#) [231-303](#) [MS3112E16-8SX](#) [91-569767-35P](#)