

广东星坤科技股份有限公司
日期
文件工程章

MARK	DESCRIPTION	DATE	REVISED	APPROVED	UNSPECIFIED TOLERANCES
Δ*					ANGLAR ±5°
Δx					L ≤ 4 ±0.2
Δx					4 < L ≤ 16 ±0.3
					16 < L ≤ 63 ±0.4
					L > 63 ±0.5



DSND		SCALE: N/A	MODEL TYPE:
DWN		VIEW:	PART NO.: X1304WWS-52X-LPV10
CHKD		UNIT: mm/in	DWG NO.:
APPD		SIZE: A4	X-X1304WWS-52X-LPV10
		WEIGHT	SHEET
			1/1
		REVISION	A0

XKB INDUSTRIAL PRECISION CO., LIMITED

NOTES 注释:

1. MATERIAL 材料:

HOUSING 外壳: THERMOPLASTIC, HIGH TEMP.,
UL94V-0; BLACK COLOR

CONTACTS 触点: COPPER ALLOY.

PEGS 螺钉: COPPER ALLOY.

2. FINISH 饰面:

CONTACT 触点: SELECTIVE GOLD PLATING ON CONTACT AREA.
100μ" MIN. MATTE TIN PLATING ON SOLDER TAILS,
50μ" MIN. NICKEL UNDERPLATING OVERALL.

PEGS 螺钉: 120u" MIN. MATTE-TIN OVER 50u" MIN. NICKEL.

X1304 W V S - 52 X - LP V10

① ② ③ ④ ⑤ ⑥ ⑦ ⑧

① Series Number

② Terminal form: W-Wafer

③ Welding Board Angle : V-Stright Angle 180°

④ Welding Way: S-SMT

⑤ No. of Pins: 52 PIN

⑥ HEIGHT: A 4.0mm; B 5.2mm; C 5.6mm; D 6.8mm;
E 7.0mm; F 8.0mm; G 9.0mm; H 9.9mm

⑦ Plastic material: LP-LCP UL94V-0

⑧ Contact Plating: V01-Gold Flash
V10-Gold 10 u"
V30-Gold 30 u"

广东星坤科技股份有限公司

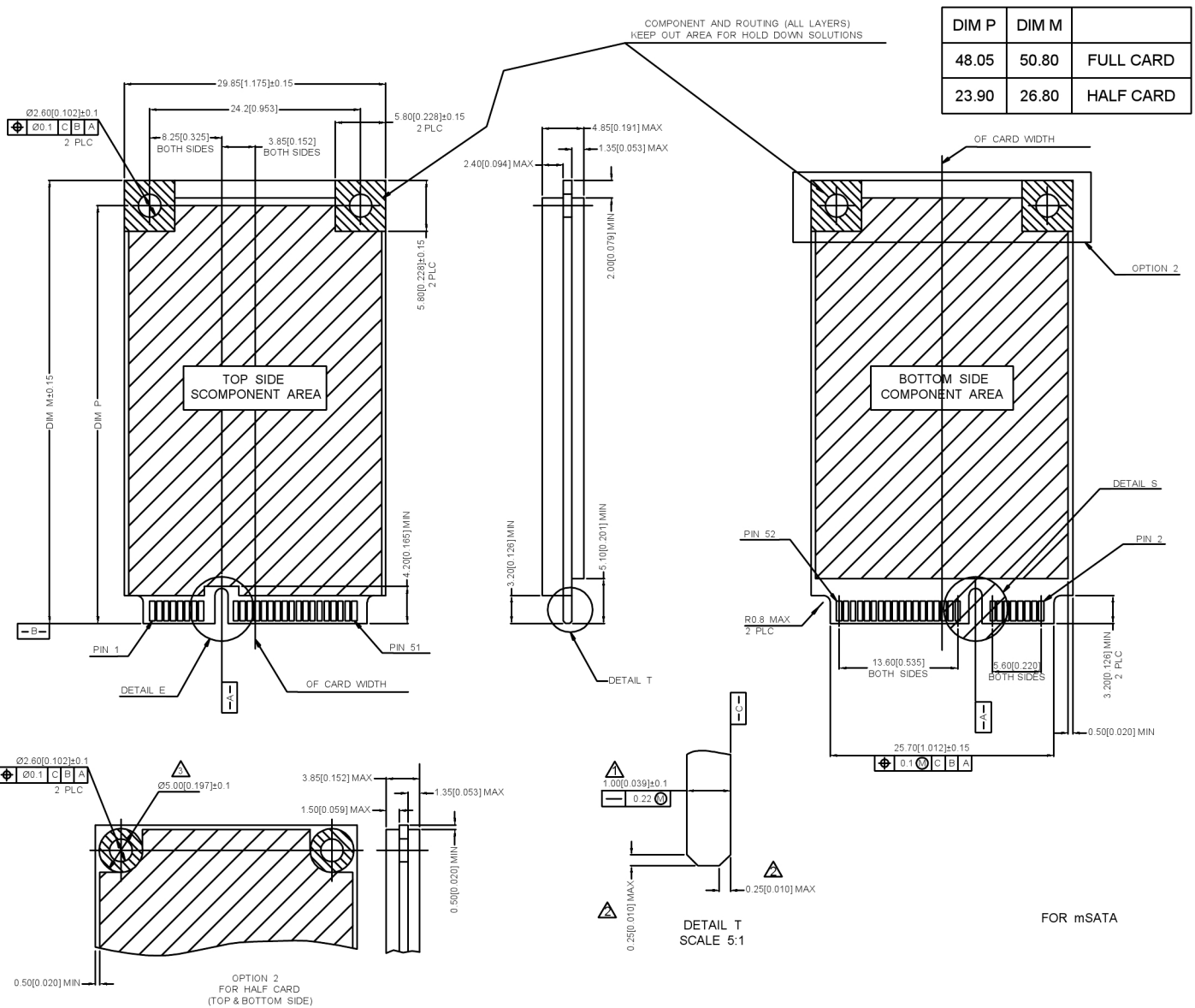
DATE 日期

文件工程章

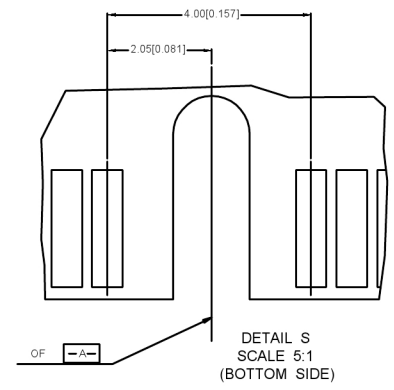
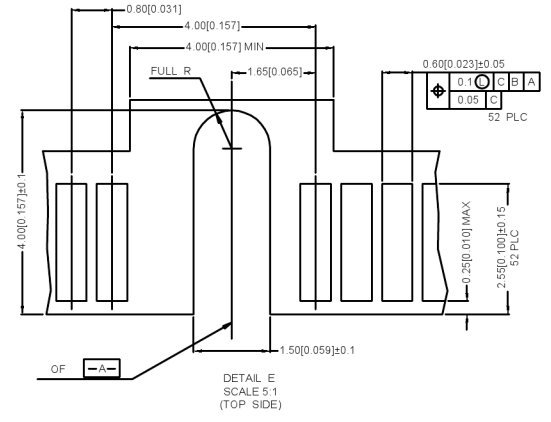
MARK	DESCRIPTION	DATE	REVISED	APPROVED	ANGLAR	±5°
Δ					L ≤ 4	±0.2
Δ					4 < L ≤ 16	±0.3
Δ					16 < L ≤ 63	±0.4
					L > 63	±0.5
REVISIONS					UNSPECIFIED TOLERANCES	

DSND	SCALE: N/A	MODEL TYPE:
DWN	VIEW:	PART NO.: X1304WVS-52X-LPV10
CHKD	UNIT: mm/in	DWG NO.: X-X1304WVS-52X-LPV10
APPD	SIZE: A4	WEIGHT
XKB INDUSTRIAL PRECISION CO., LIMITED		SHEET 1/1
		REVISION A0





DIM P	DIM M	
48.05	50.80	FULL CARD
23.90	26.80	HALF CARD



- NOTES 注释:
- △ CARD THICKNESS APPLIES ACROSS TABS AND INCLUDES PLATING AND/OR METALLIZATION.
卡片厚度适用于所有接线片，包括电镀和/或金属化。
 - △ EDGE BEVEL MUST BE IPRESENT AND FREE OF CUTTING CONTACT MATERIALS BURRS FROM AND PCB
边缘斜面必须均匀且无切割接触材料毛刺和PCB
 - △ COMPONENT AND ROUTING (TOP/BOTTOM LAYER) KEEP OUT AREA FOR HOLD DOWN SOLUTIONS.
元件和布线(顶层/底层)为压紧解决方案留出区域

广东星坤科技股份有限公司

姓名	日期
数量	日期
MARK	DESCRIPTION

DATE	REVISED	APPROVED	UNSPECIFIED TOLERANCES
REVISIONS			

ANGLAR	±5°
L ≤ 4	±0.2
4 < L ≤ 16	±0.3
16 < L ≤ 63	±0.4
L > 63	±0.5



DSND	SCALE: N/A	MODEL TYPE:
DWN	VIEW:	PART NO.: X1304WVS-52X-LPV10
CHKD	UNIT: mm/in	DWG NO.:
APPD	SIZE: A4	X-X1304WVS-52X-LPV10
		WEIGHT SHEET REVISION
		1/1 A0

文件工程章

X-ON Electronics

Largest Supplier of Electrical and Electronic Components

Click to view similar products for [XKB](#) manufacturer:

Other Similar products are found below :

[A32-099A-111](#) [A37-1BL01-111-A](#) [A37-1BL01-111-B](#) [A71-05H3-111N1](#) [A71-05H4-111N1](#) [A71-05H5-111N1](#) [A71-05H5-151N1](#) [A71-05H6-111N1](#) [A71-05H7-111N1](#) [A71-05H8-111N2](#) [A71-05H9-111N1](#) [A71-06H0-111N1](#) [AX.ZBN.M12.P04.MPL.PBA24L1000.T5](#) [AX.ZLN.M12.P05.MPL.PBA24L1000.T5](#) [AX.ZLN.M12.P08.MPL.PBA26L1000.T5](#) [AX.ZLN.M12.P12.MPL.PBA26L1000.T5](#) [C3030HM-2x10-N2](#) [CAR06-201EN5F](#) [CAR06-201EN5S](#) [DA-01BLP](#) [DA-01RP](#) [DA-02BLP](#) [DA-02RP](#) [DA-03BLP](#) [DA-03RP](#) [DA-04BLP](#) [DA-04RP](#) [DA-05BLP](#) [DA-05RP](#) [DA-06BLP](#) [DA-06RP](#) [DA-07BLP](#) [DA-07RP](#) [DA-08BLP](#) [DA-08RP](#) [DA-09BLP](#) [DA-09RP](#) [DA-10BLP](#) [DA-10RP](#) [DA-12BLP](#) [DA-12RP](#) [DC-002-2.0A-1.0](#) [DC-002-2.0A-1.3](#) [DC-002-2.0A-1.65](#) [DC-002CB-2.0A-1.3](#) [DC-002H-1.65](#) [DC-002H-2.5A-1.3](#) [DC-002H-2.5A-1.65](#) [DC-003-2A-1.0](#) [DC-003-2A-1.3](#)