

广东星坤科技股份有限公司

日期

文件工程章

MARK	DESCRIPTION	DATE	REVISED	APPROVED	UNSPECIFIED TOLERANCES
Δ*					ANGLAR ±5°
Δx					L ≤ 4 ±0.2
Δx					4 < L ≤ 16 ±0.3
					16 < L ≤ 63 ±0.4
					L > 63 ±0.5
	REVISIONS				



DSND		SCALE: N/A	MODEL TYPE:
DWN		VIEW:	PART NO.: X1304WWS-52X-LPV10
CHKD		UNIT: mm/in	DWG NO.:
APPD		SIZE: A4	X-X1304WWS-52X-LPV10
		WEIGHT	SHEET
			REVISION
		1/1	A0

XKB INDUSTRIAL PRECISION CO., LIMITED

NOTES 注释:

1. MATERIAL材料:

HOUSING外壳: THERMOPLASTIC, HIGH TEMP.,  
UL94V-0;BLACK COLOR

CONTACTS触点: COPPER ALLOY.

PEGS螺钉: COPPER ALLOY.

2. FINISH饰面:

CONTACT触点:SELECTEIVE GOLD PLATING ON CONTACT AREA.  
100μ"MIN. MATTE TIN PLATING ON SOLDER TAILS,  
50μ" MIN. NICKEL UNDERPLATING OVERALL.

PEGS螺钉: 120u" MIN. MATTE-TIN OVER 50u" MIN. NICKEL.

X1304 W V S - 52 X - LP V10

① ② ③④ ⑤ ⑥ ⑦ ⑧

① Series Number

② Terminal form: W-Wafer

③ Welding Board Angle : V-Stright Angle 180°

④ Welding Way:S-SMT

⑤ No.of Pins: 52 PIN

⑥ HEIGHT: A 4.0mm;B 5.2mm;C 5.6mm;D 6.8mm;  
E 7.0mm;F 8.0mm;G 9.0mm;H 9.9mm

⑦ Plastic material: LP-LCP UL94V-0

⑧ Contact Plating:V01-Gold Flash  
V10-Gold 10 u"  
V30-Gold 30 u"

广东星坤科技股份有限公司

Δ	日期
Δ	
Δ	

文件工程章

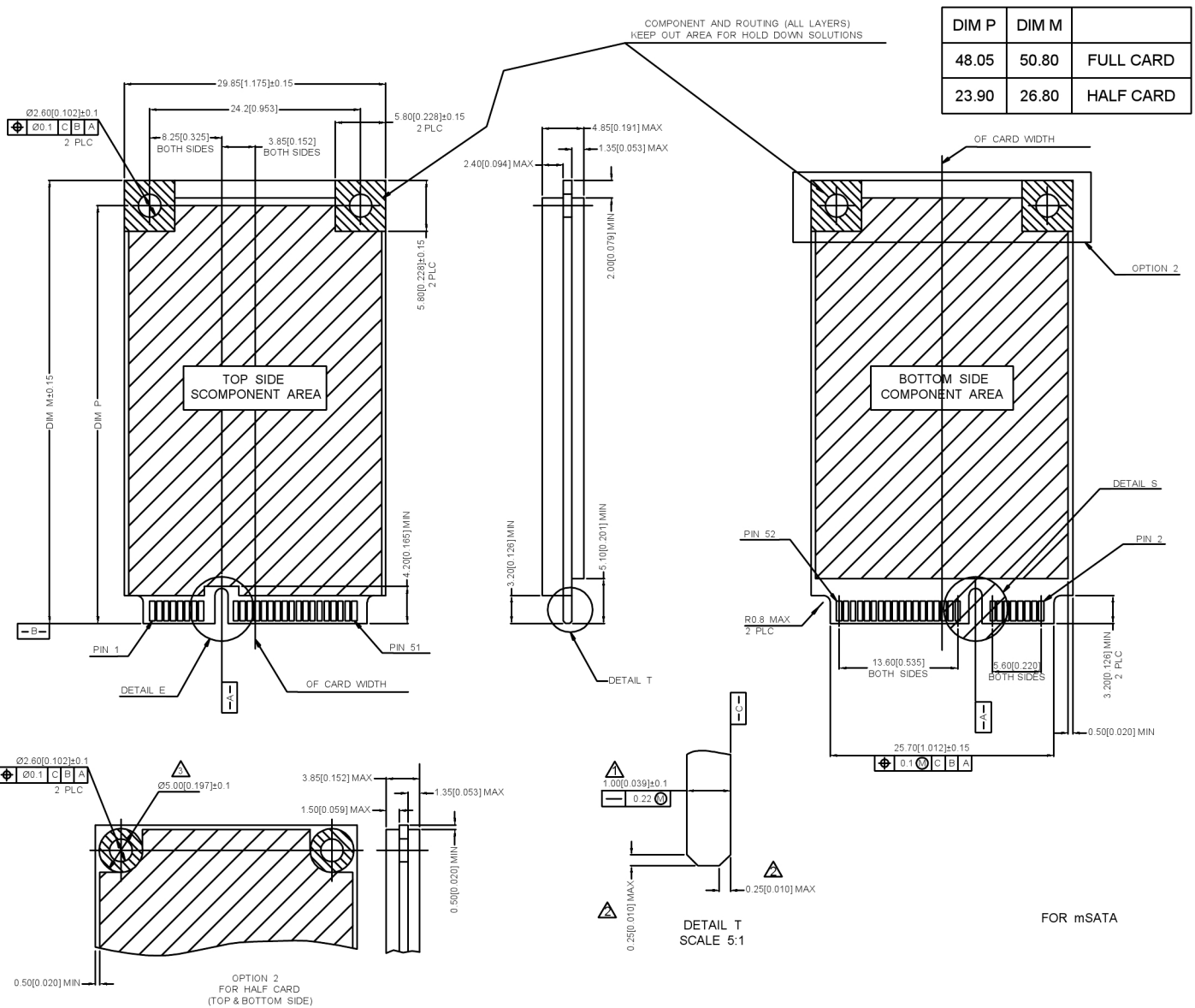
MARK	DESCRIPTION	DATE	REVISED	APPROVED	ANGLAR	±5°
					L ≤ 4	±0.2
					4 < L ≤ 16	±0.3
					16 < L ≤ 63	±0.4
					L > 63	±0.5
REVISIONS					UNSPECIFIED TOLERANCES	



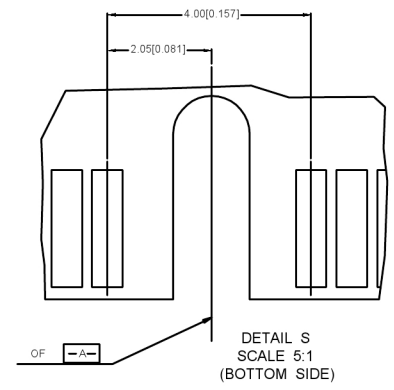
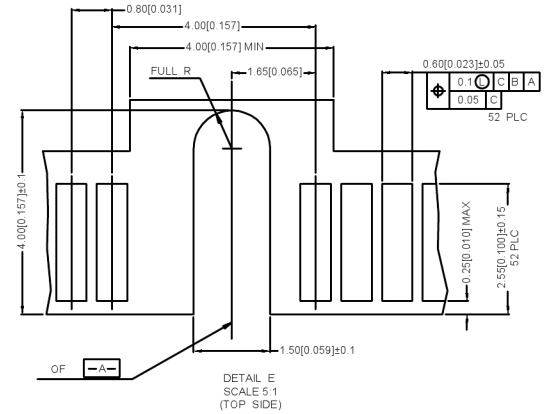
DSND	SCALE: N/A	MODEL TYPE:
DWN	VIEW:	PART NO.: X1304WVS-52X-LPV10
CHKD	UNIT: mm/in	DWG NO.: X-X1304WVS-52X-LPV10
APPD	SIZE: A4	WEIGHT
XKB INDUSTRIAL PRECISION CO.,LIMITED		SHEET 1/1
		REVISION A0







DIM P	DIM M	
48.05	50.80	FULL CARD
23.90	26.80	HALF CARD



- NOTES 注释:
- △ CARD THICKNESS APPLIES ACROSS TABS AND INCLUDES PLATING AND/OR METALLIZATION.  
卡片厚度适用于所有接线片，包括电镀和/或金属化。
  - △ EDGE BEVEL MUST BE IPRESENT AND FREE OF CUTTING CONTACT MATERIALS BURRS FROM AND PCB  
边缘斜面必须均匀且无切割接触材料毛刺和PCB
  - △ COMPONENT AND ROUTING (TOP/BOTTOM LAYER) KEEP OUT AREA FOR HOLD DOWN SOLUTIONS.  
元件和布线(顶层/底层)为压紧解决方案留出区域

广东星坤科技股份有限公司

姓名	日期
数量	日期
MARK	DESCRIPTION

DATE	REVISED	APPROVED	UNSPECIFIED TOLERANCES
REVISIONS			

ANGLAR	±5°
L ≤ 4	±0.2
4 < L ≤ 16	±0.3
16 < L ≤ 63	±0.4
L > 63	±0.5



DSND	SCALE: N/A	MODEL TYPE:
DWN	VIEW:	PART NO.: X1304WVS-52X-LPV10
CHKD	UNIT: mm/in	DWG NO.:
APPD	SIZE: A4	X-X1304WVS-52X-LPV10
		WEIGHT SHEET REVISION
		1/1 A0

文件工程章

## X-ON Electronics

Largest Supplier of Electrical and Electronic Components

*Click to view similar products for [Board to Board & Mezzanine Connectors](#) category:*

*Click to view products by [XKB](#) manufacturer:*

Other Similar products are found below :

[589158040000018](#) [MDF7C-18P-2.54DSA\(55\)](#) [FCN-268F036-G/BD](#) [FCN-268M012-G/0D](#) [FCN-268M024-G/1D](#) [MIS-048-01-F-D-DP-K](#)  
[832-10-034-10-001000](#) [FX4C-80S-1.27DSA](#) [93696-330](#) [224393](#) [FCN-235D050-G/C](#) [210-93-314-41-105000](#) [MDF7-40DP-2.54DSA\(55\)](#)  
[55323-1519](#) [069159702701000](#) [101A10019X](#) [105061100000861+](#) [75140-7012](#) [87471-650](#) [1744382-4](#) [063209](#) [10124054-515LF](#) [68685-603](#)  
[8-1616154-3](#) [541371078](#) [IL-WX-10PB-HF-B-E1000E](#) [FX23-40P-0.5SV15B](#) [FCN-214J100-G/0](#) [354184](#) [P50-028-DDS-TG](#) [53309-2471](#)  
[54546-2071](#) [1586617-1](#) [504248-1210](#) [504248-2010](#) [1-1437355-2](#) [9159005551906](#) [NDS100-004-BF](#) [93696-730LF](#) [91922-31141LF](#) [505274-](#)  
[3440](#) [501493-2410](#) [504208-3410](#) [505006-0811](#) [505274-2040](#) [202436-1600](#) [202477-0414](#) [71660-7580](#) [73420-5192](#) [360-10-107-00-001000](#)