

广东星坤科技股份有限公司

DATE	日期
DESCRIPTION	文件工程章

MARK	DESCRIPTION	DATE	REVISED	APPROVED	UNSPECIFIED TOLERANCES
	REVISIONS				
					ANGLAR ±5°
					L ≤ 4 ±0.2
					4 < L ≤ 16 ±0.3
					16 < L ≤ 63 ±0.4
					L > 63 ±0.5



DSND	SCALE: N/A	MODEL TYPE:
DWN	VIEW:	PART NO.: X1304WVS-52A-LPV10
CHKD	UNIT: mm/in	DWG NO.: X-X1304WVS-52A-LPV10
APPD	SIZE: A4	WEIGHT
		SHEET 1/1
		REVISION A0

XKB INDUSTRIAL PRECISION CO., LIMITED

NOTES 注释:

1. MATERIAL 材料:

HOUSING外壳: THERMOPLASTIC, HIGH TEMP.,  
UL94V-0;BLACK COLOR

CONTACTS触点: COPPER ALLOY.

PEGS螺钉: COPPER ALLOY.

2. FINISH 饰面:

CONTACT触点:SELECTEIVE GOLD PLATING ON CONTACT AREA.  
100μ"MIN. MATTE TIN PLATING ON SOLDER TAILS,  
50μ" MIN. NICKEL UNDERPLATING OVERALL.

PEGS螺钉: 120u" MIN. MATTE-TIN OVER 50u" MIN. NICKEL.

X1304 W V S - 52 A - LP V10

- ① ② ③④ ⑤ ⑥ ⑦ ⑧

①Series Number

②Terminal form: W-Wafer

③Welding Board Angle : V-Stright Angle 180°

④Welding Way:S-SMT

⑤No.of Pins: 52 PIN

⑥HEIGHT: A 4.0mm;B 5.2mm;C 5.6mm;D 6.8mm;  
E 7.0mm;F 8.0mm;G 9.0mm;H 9.9mm

⑦Plastic material: LP-PCP UL94V-0



⑧Contact Plating:V01-Gold Flash 1"u";  
V10-Gold Flash 10"u";  
V30-Gold Flash 30"u"

广东星坤科技股份有限公司

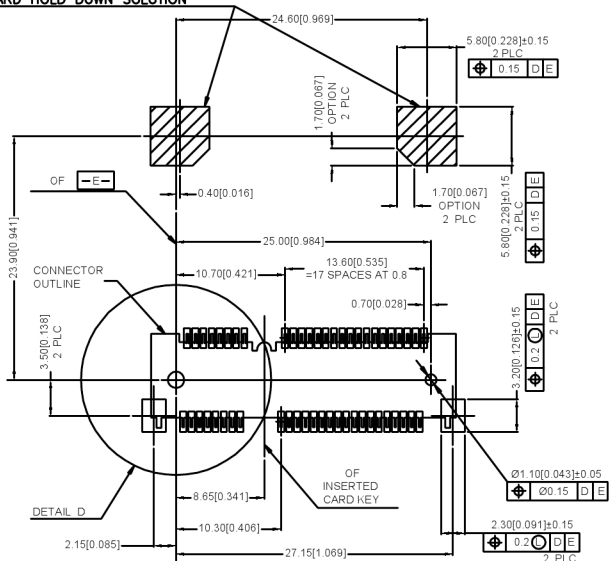
Δ	日期
Δ	日期
Δ	日期
MARK	DESCRIPTION

文件工程章

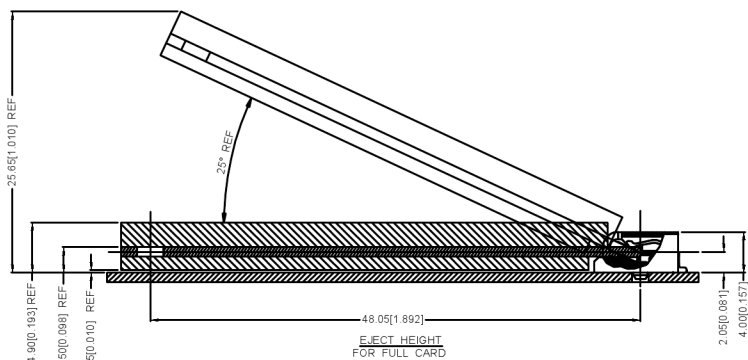
MARK	DESCRIPTION	DATE	REVISED	APPROVED	ANGLAR	±5°
					L ≤ 4	±0.2
					4 < L ≤ 16	±0.3
					16 < L ≤ 63	±0.4
					L > 63	±0.5
REVISIONS					UNSPECIFIED TOLERANCES	

	DSND	SCALE: N/A	MODEL TYPE:		
	DWN	VIEW: 	PART NO.: X1304WWS-52A-LPV10		
	CHKD	UNIT: mm/in	DWG NO.: X-X1304WWS-52A-LPV10		
	APPD	SIZE: A4			
XKB INDUSTRIAL PRECISION CO., LIMITED			WEIGHT	SHEET	REVISION
				1/1	A0

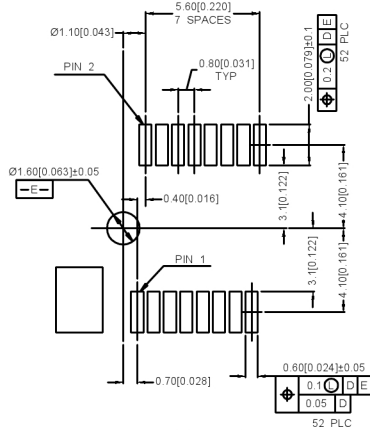
COMPONENT KEEP OUT AREA FOR  
CARD HOLD DOWN SOLUTION



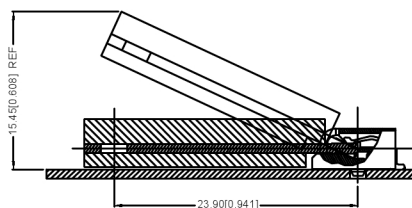
—D— IS THE TOP SURFACE OF PCB.  
RECOMMENDED P.C. BOARD PATTERN LAYOUT  
FOR HALF CARD CONNECTOR  
(TOP VIEW)



EJECT HEIGHT  
FOR FULL CARD

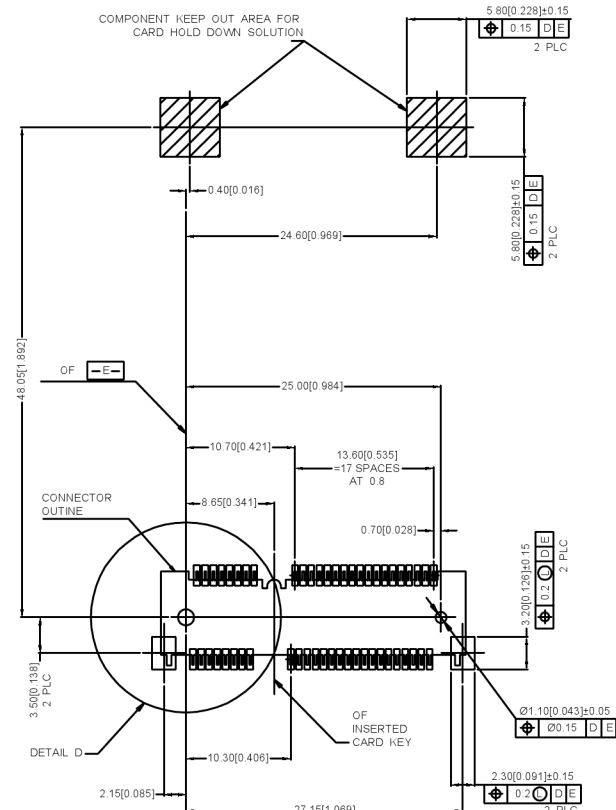


DETAIL D  
SCALE 2:1



EJECT HEIGHT  
FOR HALF CARD

COMPONENT KEEP OUT AREA FOR  
CARD HOLD DOWN SOLUTION



—D— IS THE TOP SURFACE OF PCB.  
RECOMMENDED P.C. BOARD PATTERN LAYOUT  
FOR HALF CARD CONNECTOR  
(TOP VIEW)

广东星坤科技股份有限公司

Δ建	日期
Δ改	日期
ΔX	

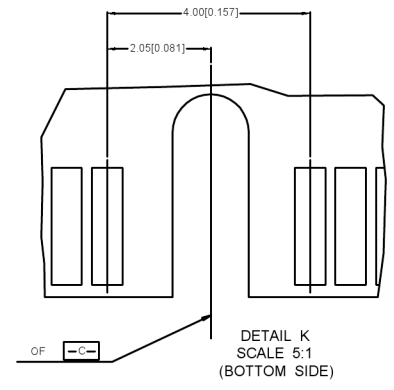
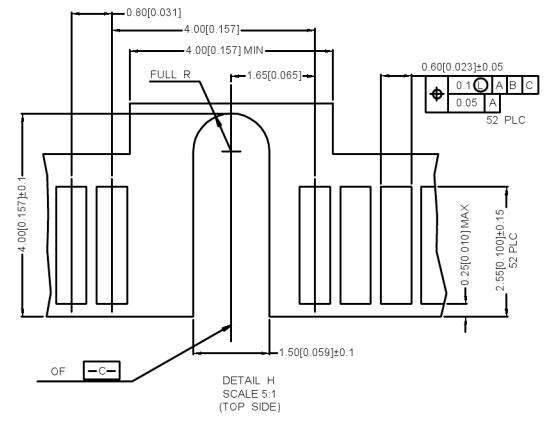
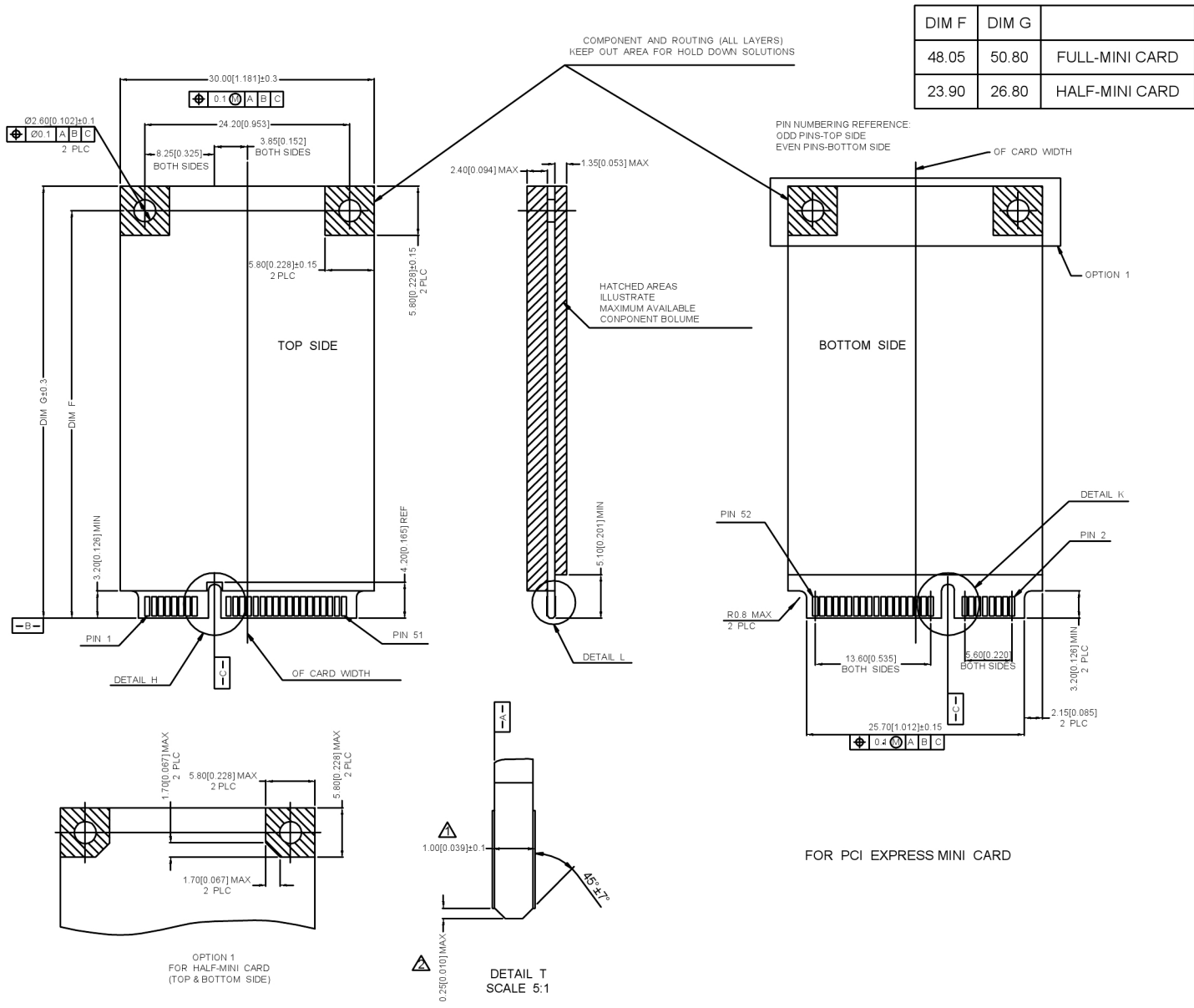
文件工程单

MARK	DESCRIPTION	DATE	REVISED	APPROVED	UNSPECIFIED TOLERANCES
	REVISIONS				

ANGLAR	±5°
L ≤ 4	±0.2
4 < L ≤ 16	±0.3
16 < L ≤ 63	±0.4
L > 63	±0.5

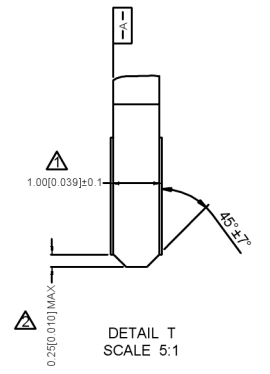
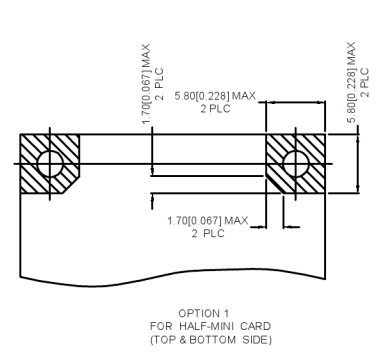


DSND	SCALE: N/A	MODEL TYPE:
DWN	VIEW:	PART NO.:
CHKD	UNIT: mm/in	DWG NO.:
APPD	SIZE: A4	X-X1304WWS-52A-LPV10
KKB INDUSTRIAL PRECISION CO., LIMITED		WEIGHT
		SHEET
		REVISION
		1/1
		A0



NOTES 注释:

- △ CARD THICKNESS APPLIES ACROSS TABS AND INCLUDES PLATING AND/OR METALLIZATION.  
卡片厚度适用于所有接线片，包括电镀和/或金属化。
- △ EDGE BEVEL MUST BE IPRESENT AND FREE OF CUTTING CONTACT MATERIALS BURRS FROM AND PCB  
边缘斜面必须均匀且无切割接触材料毛刺和PCB



FOR PCI EXPRESS MINI CARD

广东星坤科技股份有限公司

Δ#	日期
Δx	日期
Δ效	日期
MARK	文件工程章

MARK	DESCRIPTION	DATE	REVISED	APPROVED	ANGLAR	±5°
	REVISIONS				L ≤ 4	±0.2
					4 < L ≤ 16	±0.3
					16 < L ≤ 63	±0.4
					L > 63	±0.5
					UNSPECIFIED TOLERANCES	



DSND	SCALE: N/A	MODEL TYPE:
DWN	VIEW:	PART NO.: X1304WVS-52A-LPV10
CHKD	UNIT: mm/in	DWG NO.: X-X1304WVS-52A-LPV10
APPD	SIZE: A4	WEIGHT SHEET REVISION
		1/1 A0

XKB INDUSTRIAL PRECISION CO., LIMITED



## X-ON Electronics

Largest Supplier of Electrical and Electronic Components

*Click to view similar products for [XKB](#) manufacturer:*

Other Similar products are found below :

[TC-1103-C-B](#) [TC-FS66D-C-A](#) [XKNANO-1307-16](#) [X9396WR-04-N0SN](#) [X9396WR-06-N0SN](#) [X0800WRS-06HF-LPV01](#) [U221-046N-4BU02-FS](#) [X3025WV-02-N0SN](#) [DC-0130-2.5A-2.0](#) [DC-0130-2.5A-2.5](#) [X6511WR-23H-C30D60-R2](#) [DF1-1365UNY-1](#) [XKB5858-Z-F-75](#) [X2011H-05A-N0](#) [X9821H-13A-N0](#) [U263-241N-4BQC13](#) [X6511WVS-12H-C60D48R2](#) [X6511WR-10H-C30D60R2](#) [X1270WVS-2x20A-6TV01](#) [TGG.0B.P04.CLAD52H](#) [ZGG.3K.P12.CLN](#) [ZGG.3K.P12.CLL](#) [ZGG.1K.P02.CLN](#) [ZEG.2K.P02.CLL](#) [ZCG.1B.P16.CLL](#) [TGG.2K.P02.CLAC50](#) [ZEG.3K.P12.CLN](#) [ZEG.2K.P12.CLN](#) [USB31-TYPE-C-FSABC](#) [X0510FVS-168AS-LPV01](#) [MHG.3K.P02.CLLC90H](#) [X6511FRS-05-C85D30](#) [X2001HA-PTAuN-A28B50-X2001HA-PTAuN-IDC](#) [X0709FT7BL1-A28G10-X9555H2-PTV01-IDC](#) [X2513WR-2x06A-LPSN](#) [PJ-3026](#) [TS-1101S-C-B-B-B](#) [SK-3390A-L1](#) [X05A20L17T](#) [TC-1102T-B](#) [X0800WRS-05HF-LPV01](#) [X1502WR-13K-N0SN](#) [U261-2422N-4B0178](#) [SS-3292S-L1-B](#) [X6511WR-04H-C30D60R2](#) [X9821WVS-16-9TSN](#) [X6511WR-03H-C30D60R2](#) [X1311FVS-05-C43D35R2](#) [X1311FR-02-C43D24](#) [X9821H-05A-N0](#)