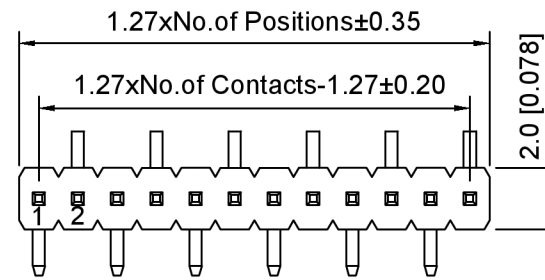
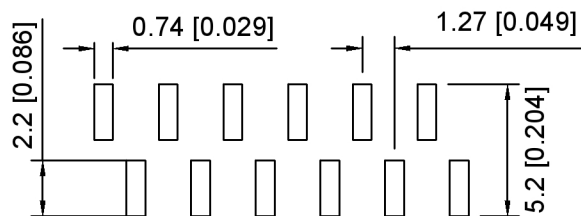
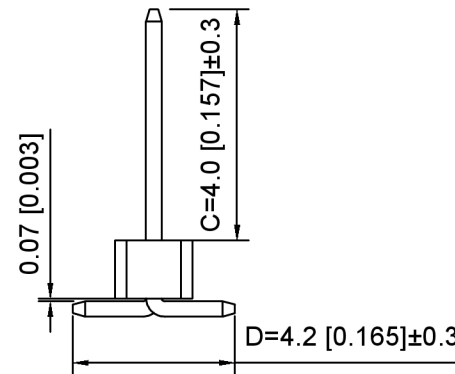
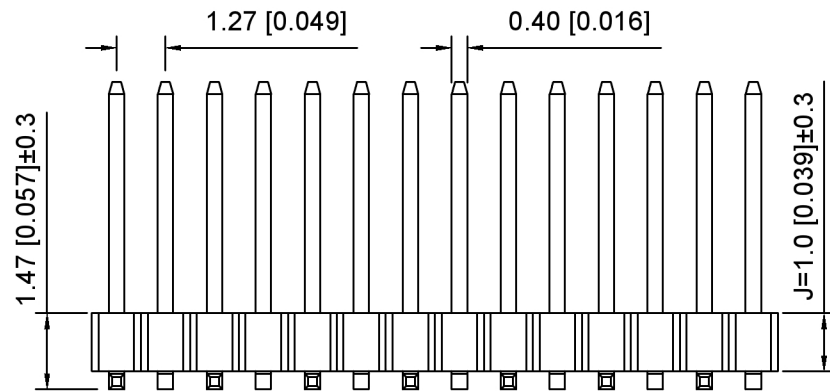


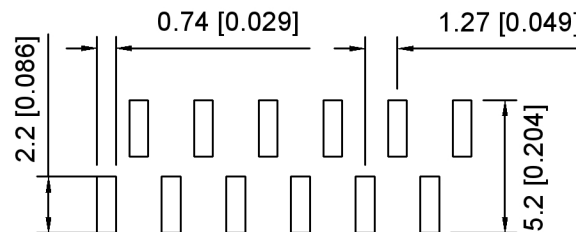
R1



R2



R1



R2

P.C.B LAYOUT

Specifications:
 规格:
 Voltage rating:250V AC/DC
 额定电压: 250V AC/DC
 Current rating:1A AC/DC
 额定电流: 1A AC/DC
 Withstanding voltage:300V AC/minute
 耐受电压: 300V AC/分钟
 Temperature range:-40°C-+105°C
 温度范围: -40°C-+105°C
 Insulation resistance:≥500MΩ
 绝缘电阻: ≥500MΩ
 Contact resistance:≤20mΩ
 接触电阻: ≤20mΩ
 Material:PA6T UL94V-0
 材质: PA6T UL94V-0
 Plating Category:1U"Gold
 镀层: 1U"Gold
 Reflow soldering temperature:260±5°C, 10S
 回流焊温度: 260±5°C, 10S

X1311 W V S - XX J - C40 D42 X
 ① ② ③ ④ ⑤ ⑥ ⑦ ⑧ ⑨

- 1.Series No.
- 2.Category:W-Water
- 3.Welding Board Angle:V-Stright 180°
- 4.Welding Way S-SMT
- 5.Row No -Pin No:XX Pin
- 6.Plastic height:J=1.0mm
- 7.Pin length: C=4.0mm
- 8.Pin length:D=4.2mm
- 9.Type:X-R1;R2

| | | | |
|----------------------|----------|---------------|---------------------|
| X1311WVS-XXJ-C40D42X | PA6T | Brass | X1311F |
| PART NO | Material | Material(Pin) | Suitable XKB Female |

| | | |
|------|-------------|-------------------------------------|
| DSND | SCALE: N/A | MODEL TYPE: 1.27mm BTB Connector |
| DWN | VIEW: | PART NO.: X1311WVS-XXJ-C40D42X |
| CHKD | UNIT: mm/in | DWG NO.: X-X1311WVS-XXJ-C40D42X |
| APPD | SIZE: A4 | |

广东星坤科技股份有限公司

| | |
|----|----|
| Δ建 | 日期 |
| Δ效 | 日期 |
| ΔX | |

文件工程草

| | | | | | |
|-------------|------|---------|----------|------------------------|------|
| DESCRIPTION | DATE | REVISED | APPROVED | ANGLAR | ±5° |
| REVISIONS | | | | L ≤ 4 | ±0.2 |
| | | | | 4 < L ≤ 16 | ±0.3 |
| | | | | 16 < L ≤ 63 | ±0.4 |
| | | | | L > 63 | ±0.5 |
| | | | | UNSPECIFIED TOLERANCES | |



XKB INDUSTRIAL PRECISION CO., LIMITED

| | | |
|--------|-------|----------|
| WEIGHT | SHEET | REVISION |
| | 1/1 | A0 |

X-ON Electronics

Largest Supplier of Electrical and Electronic Components

Click to view similar products for [Headers & Wire Housings](#) category:

Click to view products by [XKB](#) manufacturer:

Other Similar products are found below :

[57102-F02-18ULF](#) [58102-G61-06LF](#) [582553-1](#) [009176003701906](#) [01.001.5753.1](#) [0050291907](#) [02.125.8002.8](#) [609-3404](#) [61062-3](#)
[CSU011177004](#) [622-0430](#) [622-3653LF](#) [63453-116](#) [636-1030](#) [636-1427](#) [636-3427](#) [636-4007](#) [641938-9](#) [644827-2](#) [65495-038](#) [65692-001LF](#)
[65781-018](#) [65781-047](#) [65817-010LF](#) [65817-015LF](#) [66207-023LF](#) [67095-007LF](#) [67601157](#) [68631-112](#) [68645-018](#) [699319-000](#)
[M90C108951C](#) [70.362.1628.0](#) [70-4210](#) [70-4226B](#) [70-4853B](#) [707-5028](#) [71.350.2428.0](#) [71961-016LF](#) [733-134](#) [733-162](#) [754199-000](#) [760-](#)
[3052](#) [80.063.4001.1](#) [800-90-001-10-001000](#) [800-90-010-10-002000](#) [801-43-002-10-013000](#) [801-43-006-10-002000](#) [803-41-018-10-001000](#)
[803-43-024-10-001000](#)