

REVISIONS  
Authorized Signature(s)

MARK	DESCRIPTION	DATE	REVISED	APPROVED	UNSPECIFIED TOLERANCES
△ X					L > 63 ± 0.5
△ X					16 > L ≤ 63 ± 0.4
△ X					4 < L ≤ 16 ± 0.3
					L ≤ 4 ± 0.2
					ANGULAR ± 5°

For and on behalf of  
XKB INDUSTRIAL PRECISION CO., LIMITED  
香港星坤工業精密有限公司

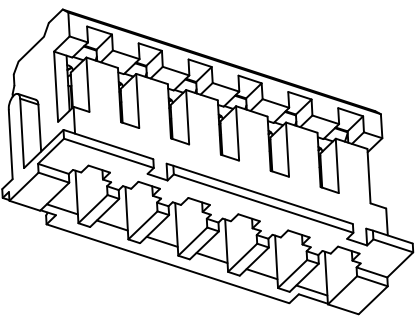
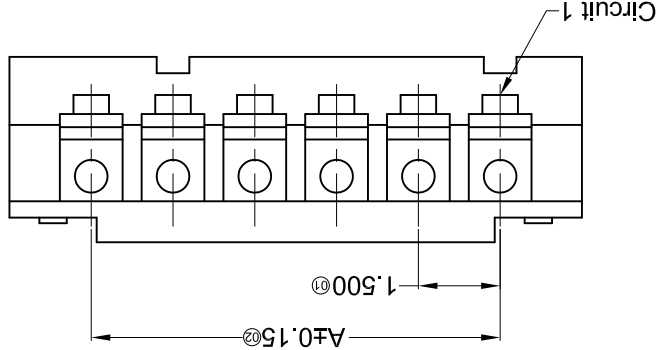
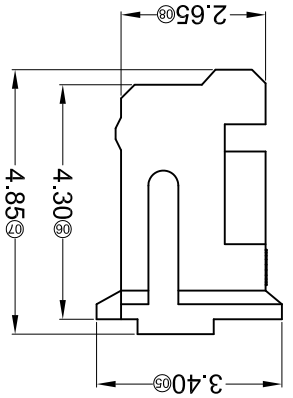
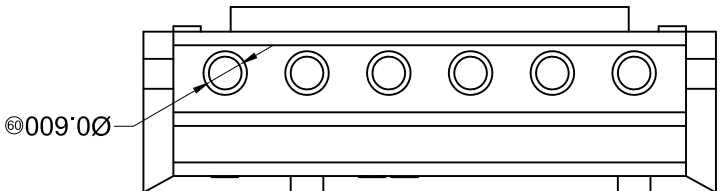
XKB INDUSTRIAL PRECISION CO., LIMITED

WEIGHT	1.0g
SHEET	1/1
REVISION	A0

DSND	DATE	SCALE: N/A	MODEL TYPE: X1502H-XX-N0
DWN	DATE	VIEW:	PART NO.:
CHKD	DATE	UNIT: mm	DWG NO.:
APPD	DATE	SIZE: A4	

PART NO	Material	Suitable XKB Terminal	Suitable XKB Terminal
X1502H-XX-N0	PA66 UL 94V-0	X1502T	X1502W

Poles	Dimensions(mm)		
	A	B	C
02	1.50	4.50	3.40
03	3.00	6.00	4.90
04	4.50	7.50	6.40
05	6.00	9.00	7.90
06	7.50	10.50	9.40
07	9.00	12.00	10.90
08	10.50	13.50	12.40



X1502 H X-XX X-N0 XX  
① Series No.  
② Category: H-HSG  
③ Welding Board Angle: Blank-ordinary  
④ Row No.-Pin No.: XX-02P~15P  
⑤ Plug the Pin & special No.:  
⑥ Material: N0-PA66 94V-0  
⑦ Color: Blank-natural color

- Specifications :
- Voltage rating: 50V AC / DC
  - Current rating: 1A AC / DC
  - Withstanding voltage: 500V AC/minute
  - Temperature range: -25°C~+85°C
  - Insulation resistance: ≥500MΩ
  - Contact resistance: ≤20mΩ
  - After environmental testing: ≤30mΩ

## X-ON Electronics

Largest Supplier of Electrical and Electronic Components

*Click to view similar products for [Headers & Wire Housings](#) category:*

*Click to view products by [XKB](#) manufacturer:*

Other Similar products are found below :

[95000-104TRLF](#) [10135584-644402LF](#) [DF62W-EP2022PCA](#) [95000-106TRLF](#) [DF62W-2022SCA](#) [DF62W-EP2022PC](#) [2203348](#) [DF62W-2022SC](#) [1084018](#) [1029039](#) [1084017](#) [802-10-012-10-002000](#) [1112640](#) [1112639](#) [891-007-9SS-BST1T](#) [000-34000](#) [0008550134](#) [0009482033](#) [0009507031](#) [57102-F02-18ULF](#) [57102-S06-03LF](#) [57202-S52-04LF](#) [PCN6-15S-2.5E](#) [0039019024](#) [58102-G61-06LF](#) [582553-1](#) [0009485154](#) [0009508121](#) [0022285053](#) [0050291907](#) [018731A](#) [LY20-4P-DT1-P1E-BR](#) [02.125.8002.8](#) [60101931](#) [60598-1 \(Cut Strip\)](#) [M1625-3R/100](#) [61062-3](#) [61082-181009](#) [CSU011177004](#) [636-1427](#) [638009-1](#) [641938-9](#) [641991-4](#) [644168-1](#) [644827-2](#) [647662-1](#) [65039-019ELF](#) [65692-001LF](#) [65781-018](#) [65781-047](#)