

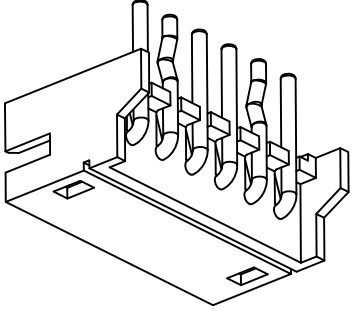
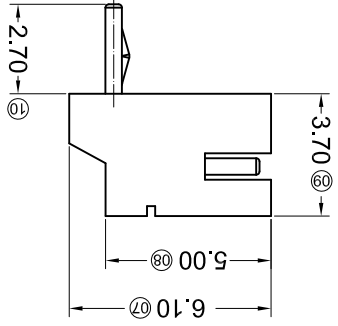
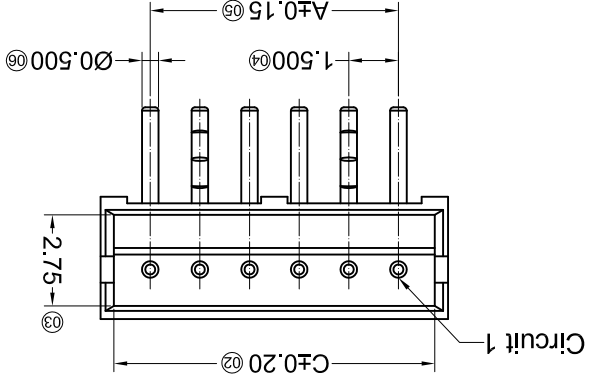
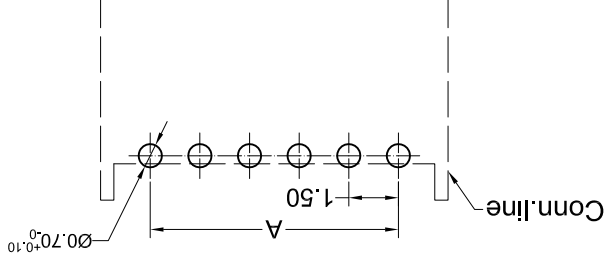
For and on behalf of
KXB INDUSTRIAL PRECISION CO., LIMITED
 香港星坤工業精密有限公司

MARK	DESCRIPTION	DATE	REVISOR	APPROVED	UNSPECIFIED TOLERANCES
△ X					L > 63
△ X					16 < L ≤ 63
△ X					4 < L ≤ 16
△ X					L ≤ 4
					ANGULAR
					± 5°

KXB INDUSTRIAL PRECISION CO., LIMITED

WEIGHT	1.0g
SHEET	1/1
REVISION	A0
SIZE:	A4
UNIT:	mm
VIEW:	
SCALE:	N/A
MODEL TYPE:	X1502WR-XXK-N0SN
PART NO.:	
DWG NO.:	1.50mm Crimp Style Connectors

Recommended P.C.B Layout
 General Tolerance ±0.05



Poles	Dimensions(mm)							
	A	B	C	Poles				
02	1.50	4.50	3.70	09	12.00	15.00	14.20	C
03	3.00	6.00	5.20	10	13.50	16.50	15.70	C
04	4.50	7.50	6.70	11	15.00	18.00	17.20	C
05	6.00	9.00	8.20	12	16.50	19.50	18.70	C
06	7.50	10.50	9.70	13	18.00	21.00	20.20	C
07	9.00	12.00	11.20	14	19.50	22.50	21.70	C
08	10.50	13.50	12.70	15	21.00	24.00	23.20	C

PART NO	Material	Material(Pin)	Finish(Pin)	Suitable XKB Terminal
X1502WR-XXK-N0SN	Nylon 66 UL 94V-0	Brass	Tin-Plated	Suitable XKB Terminal

- ① Series No.
- ② Category: W-water
- ③ Welding Board Angle: R- Right Angle 90°
- ④ Welding Way: Blank-DIP
- ⑤ Row No.-Pin No.: XX-02P~15P
- ⑥ Plug the Pin & Special No.: K-kink
- ⑦ Material: N0-PA66 94V-0
- ⑧ Plating Category: SN-Bright tin plating
- ⑨ Color: Blank-Natural Color

X1502 W R X-XX K-N0 SN XX
 ① ② ③ ④ ⑤ ⑥ ⑦ ⑧ ⑨

- Specifications :
- Voltage rating: 50V AC / DC
 - Current rating: 1A AC / DC
 - Withstanding voltage: 500V AC/minute
 - Temperature range: -25°C~+85°C
 - Insulation resistance: ≥500MΩ
 - Contact resistance: ≤20mΩ
 - After environmental testing: ≤30mΩ

X-ON Electronics

Largest Supplier of Electrical and Electronic Components

Click to view similar products for [Headers & Wire Housings](#) category:

Click to view products by [XKB](#) manufacturer:

Other Similar products are found below :

[95000-104TRLF](#) [10135584-644402LF](#) [DF62W-EP2022PCA](#) [95000-106TRLF](#) [DF62W-2022SCA](#) [DF62W-EP2022PC](#) [2203348](#) [DF62W-2022SC](#) [1084018](#) [1029039](#) [1084017](#) [802-10-012-10-002000](#) [1112640](#) [1112639](#) [891-007-9SS-BST1T](#) [000-34000](#) [0008550134](#) [0009482033](#) [0009507031](#) [57102-F02-18ULF](#) [57102-S06-03LF](#) [57202-S52-04LF](#) [PCN6-15S-2.5E](#) [0039019024](#) [58102-G61-06LF](#) [582553-1](#) [0009485154](#) [0009508121](#) [0022285053](#) [0050291907](#) [018731A](#) [LY20-4P-DT1-P1E-BR](#) [02.125.8002.8](#) [60101931](#) [60598-1 \(Cut Strip\)](#) [M1625-3R/100](#) [61062-3](#) [61082-181009](#) [CSU011177004](#) [636-1427](#) [638009-1](#) [641938-9](#) [641991-4](#) [644168-1](#) [644827-2](#) [647662-1](#) [65039-019ELF](#) [65692-001LF](#) [65781-018](#) [65781-047](#)