

For and on behalf of
KXB INDUSTRIAL PRECISION CO., LIMITED
 香港星坤工業精密有限公司

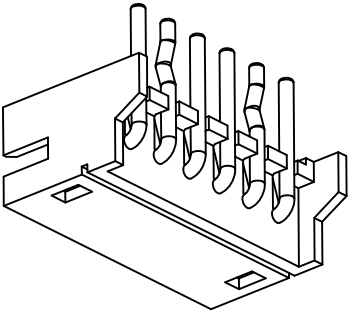
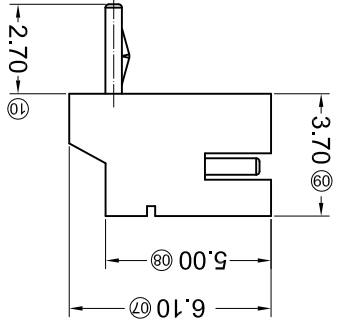
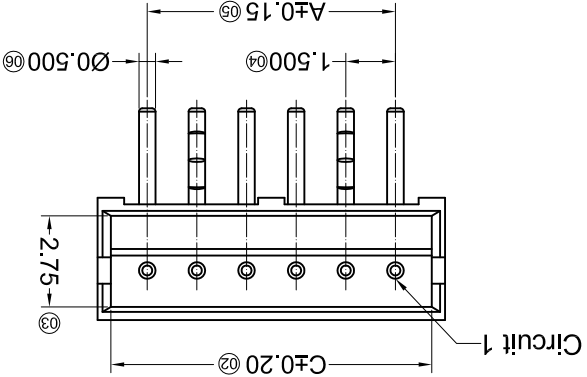
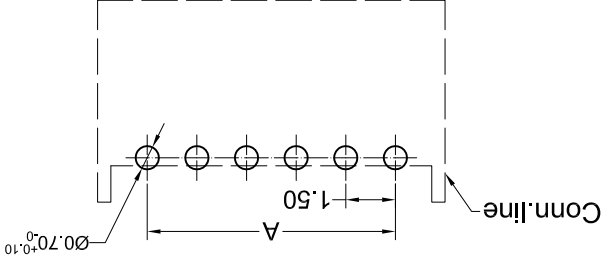
| MARK | DESCRIPTION | DATE | REVISOR | APPROVED | UNSPECIFIED TOLERANCES |
|------|-------------|------|---------|----------|------------------------|
| △ X | | | | | L > 63 |
| △ X | | | | | 16 < L ≤ 63 |
| △ X | | | | | 4 < L ≤ 16 |
| △ X | | | | | L ≤ 4 |
| | | | | | ANGULAR |
| | | | | | ±5° |

KXB INDUSTRIAL PRECISION CO., LIMITED

| | |
|----------|------|
| WEIGHT | 1.0g |
| SHEET | 1/1 |
| REVISION | A0 |

| | | | | | |
|-------------------------------|------------|----------|------|------|------|
| DATE | DATE | DATE | DATE | DATE | DATE |
| VIEW: mm | UNIT: mm | SIZE: A4 | | | |
| MODEL TYPE: X1502WR-XXK-N0SN | SCALE: N/A | | | | |
| PART NO.: | | | | | |
| 1.50mm Crimp Style Connectors | | | | | |
| DWG NO.: | | | | | |

Recommended P.C.B Layout
 General Tolerance±0.05



| Poles | Dimensions(mm) | | | | | | | |
|-------|----------------|-------|-------|-------|-------|-------|-------|---|
| | A | B | C | Poles | | | | |
| 02 | 1.50 | 4.50 | 3.70 | 09 | 12.00 | 15.00 | 14.20 | C |
| 03 | 3.00 | 6.00 | 5.20 | 10 | 13.50 | 16.50 | 15.70 | C |
| 04 | 4.50 | 7.50 | 6.70 | 11 | 15.00 | 18.00 | 17.20 | C |
| 05 | 6.00 | 9.00 | 8.20 | 12 | 16.50 | 19.50 | 18.70 | C |
| 06 | 7.50 | 10.50 | 9.70 | 13 | 18.00 | 21.00 | 20.20 | C |
| 07 | 9.00 | 12.00 | 11.20 | 14 | 19.50 | 22.50 | 21.70 | C |
| 08 | 10.50 | 13.50 | 12.70 | 15 | 21.00 | 24.00 | 23.20 | C |

- ① Series No.
- ② Category: W-water
- ③ Welding Board Angle: R- Right Angle 90°
- ④ Welding Way: Blank-DIP
- ⑤ Row No.-Pin No.: XX-02P~15P
- ⑥ Plug the Pin & Special No.: K-kink
- ⑦ Material: N0-PA66 94V-0
- ⑧ Plating Category: SN-Bright tin plating
- ⑨ Color: Blank-Natural Color

X1502 W R X-XX K-N0 SN XX
 ① ② ③ ④ ⑤ ⑥ ⑦ ⑧ ⑨

- Specifications :
- Voltage rating: 50V AC / DC
 - Current rating: 1A AC / DC
 - Withstanding voltage: 500V AC/minute
 - Temperature range: -25°C~+85°C
 - Insulation resistance: ≥500MΩ
 - Contact resistance: ≤20mΩ
 - After environmental testing: ≤30mΩ

| PART NO | Material | Material(Pin) | Finish(Pin) | Suitable XKB Terminal |
|------------------|-------------------|---------------|-------------|-----------------------|
| X1502WR-XXK-N0SN | Nylon 66 UL 94V-0 | Brass | Tin-Plated | X1502H |

X-ON Electronics

Largest Supplier of Electrical and Electronic Components

Click to view similar products for [Headers & Wire Housings](#) category:

Click to view products by [XKB](#) manufacturer:

Other Similar products are found below :

[95000-104TRLF](#) [10135584-644402LF](#) [DF62W-EP2022PCA](#) [95000-106TRLF](#) [DF62W-2022SCA](#) [DF62W-EP2022PC](#) [2203348](#) [DF62W-2022SC](#) [1084018](#) [1029039](#) [1084017](#) [802-10-012-10-002000](#) [1112640](#) [1112639](#) [891-007-9SS-BST1T](#) [000-34000](#) [0008550134](#) [0009482033](#) [0009507031](#) [57102-F02-18ULF](#) [57102-S06-03LF](#) [57202-S52-04LF](#) [PCN6-15S-2.5E](#) [0039019024](#) [58102-G61-06LF](#) [582553-1](#) [0009485154](#) [0009508121](#) [0022285053](#) [0050291907](#) [018731A](#) [LY20-4P-DT1-P1E-BR](#) [02.125.8002.8](#) [60101931](#) [60598-1 \(Cut Strip\)](#) [M1625-3R/100](#) [61062-3](#) [61082-181009](#) [CSU011177004](#) [636-1427](#) [638009-1](#) [641938-9](#) [641991-4](#) [644168-1](#) [644827-2](#) [647662-1](#) [65039-019ELF](#) [65692-001LF](#) [65781-018](#) [65781-047](#)