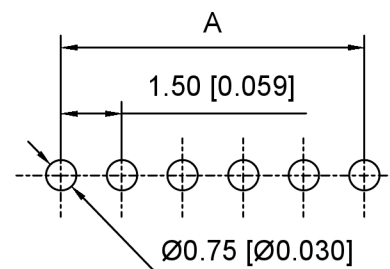
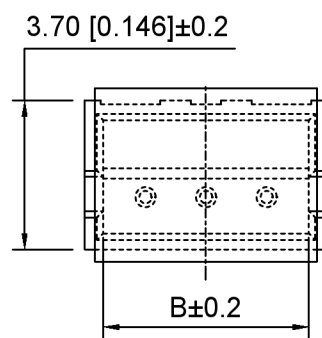
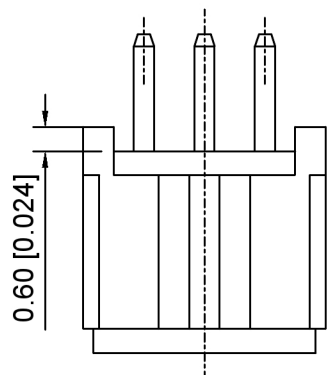


Specifications:

规格:  
 Voltage rating: 125V AC/DC  
 额定电压: 125V AC/DC  
 Current rating: 1A AC/DC  
 额定电流: 1A AC/DC  
 Withstanding voltage: 500V AC/minute  
 耐受电压: 500V AC/分钟  
 Temperature range: -25°C-+105°C  
 温度范围: -25°C-+105°C  
 Insulation resistance: ≥500MΩ  
 绝缘电阻: ≥500MΩ  
 Contact resistance: ≤20mΩ  
 接触电阻: ≤20mΩ

X1502 W V - XX R - LP SN  
 ① ② ③ ④ ⑤ ⑥ ⑦

1. Series No
2. Category: W-Wafer
3. Welding Board Angle: V-Stright 180°
4. Row No. Pin No: XX-02~16Pin
5. Special No: R-DIP 2.3mm
6. Material: LP-LCP UL94V-0 , Natural  
CAP: LCP UL94V-0 , Natural
7. Plating: SN- Tin Plated



Recommended PCB Layout(Top view)  
 Tolerance: ±0.05mm

| Poles | Dimensions (mm) |       |       | Poles | Dimensions (mm) |       |       |
|-------|-----------------|-------|-------|-------|-----------------|-------|-------|
|       | A               | B     | C     |       | A               | B     | C     |
| 02    | 1.50            | 3.60  | 4.50  | 10    | 13.50           | 15.60 | 16.50 |
| 03    | 3.00            | 5.10  | 6.00  | 11    | 15.00           | 17.10 | 18.00 |
| 04    | 4.50            | 6.60  | 7.50  | 12    | 16.50           | 18.60 | 19.50 |
| 05    | 6.00            | 8.10  | 9.00  | 13    | 18.00           | 20.10 | 21.00 |
| 06    | 7.50            | 9.60  | 10.50 | 14    | 19.50           | 21.60 | 22.50 |
| 07    | 9.00            | 11.10 | 12.00 | 15    | 21.00           | 23.10 | 24.00 |
| 08    | 10.50           | 12.60 | 13.50 | 16    | 22.50           | 24.60 | 25.50 |
| 09    | 12.00           | 14.10 | 15.00 |       |                 |       |       |

|                  |          |               |                      |
|------------------|----------|---------------|----------------------|
| X1502WV-XXR-LPSN | LCP      | Brass         | X1502H               |
| PART NO          | Material | Material(Pin) | Suitable XKB Housing |

广东星坤科技股份有限公司

|    |    |
|----|----|
| Δ生 | 日期 |
| Δ改 | 日期 |

文件工程章

| MARK | DESCRIPTION | DATE | REVISED | APPROVED | UNSPECIFIED TOLERANCES |
|------|-------------|------|---------|----------|------------------------|
|      | REVISIONS   |      |         |          |                        |
|      |             |      |         |          |                        |

|             |      |
|-------------|------|
| ANGLAR      | ±5°  |
| L ≤ 4       | ±0.2 |
| 4 < L ≤ 16  | ±0.3 |
| 16 < L ≤ 63 | ±0.4 |
| L > 63      | ±0.5 |



|      |             |  |
|------|-------------|--|
| DSND | SCALE: N/A  | MODEL TYPE:<br>1.5mm Crimp Style Connector |
| DWN  | VIEW:       | PART NO.:<br>X1502WV-XXR-LPSN              |
| CHKD | UNIT: mm/in | DWG NO.:<br>X-X1502WV-XXR-LPSN             |
| APPD | SIZE: A4    | WEIGHT SHEET REVISION<br>1/1 A0            |

XKB INDUSTRIAL PRECISION CO., LIMITED

## X-ON Electronics

Largest Supplier of Electrical and Electronic Components

*Click to view similar products for [Headers & Wire Housings](#) category:*

*Click to view products by [XKB](#) manufacturer:*

Other Similar products are found below :

[57102-F02-18ULF](#) [58102-G61-06LF](#) [582553-1](#) [009176003701906](#) [01.001.5753.1](#) [0050291907](#) [02.125.8002.8](#) [609-3404](#) [61062-3](#)  
[CSU011177004](#) [622-0430](#) [622-3653LF](#) [63453-116](#) [636-1030](#) [636-1427](#) [636-3427](#) [636-4007](#) [641938-9](#) [644827-2](#) [65495-038](#) [65692-001LF](#)  
[65781-018](#) [65781-047](#) [65817-010LF](#) [65817-015LF](#) [66207-023LF](#) [67095-007LF](#) [67601157](#) [68631-112](#) [68645-018](#) [699319-000](#)  
[M90C108951C](#) [70.362.1628.0](#) [70-4210](#) [70-4226B](#) [70-4853B](#) [707-5028](#) [71.350.2428.0](#) [71961-016LF](#) [733-134](#) [733-162](#) [754199-000](#) [760-](#)  
[3052](#) [80.063.4001.1](#) [800-90-001-10-001000](#) [800-90-010-10-002000](#) [801-43-002-10-013000](#) [801-43-006-10-002000](#) [803-41-018-10-001000](#)  
[803-43-024-10-001000](#)