

For and on behalf of
XKB INDUSTRIAL PRECISION CO., LIMITED
 香港星坤工業精密有限公司

| MARK | DESCRIPTION | DATE | REVISED | APPROVED | UNSPECIFIED TOLERANCES |
|------|-------------|------|---------|----------|------------------------|
| △ X | | | | | L > 63 |
| △ X | | | | | 16 > L ≤ 63 |
| △ X | | | | | 4 < L ≤ 16 |
| △ X | | | | | L ≤ 4 |
| | | | | | ANGULAR |
| | | | | | ± 5° |

| REVISION | SHEET | WEIGHT | REVISION |
|----------|-------|--------|----------|
| A0 | 1/1 | 1.0g | |

| DATE | SCALE: N/A | MODEL TYPE: |
|------|------------|--------------------|
| | | X1511WVS-XXHF-LPSW |

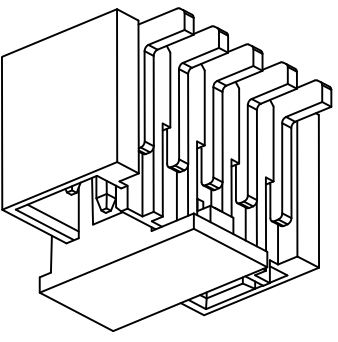
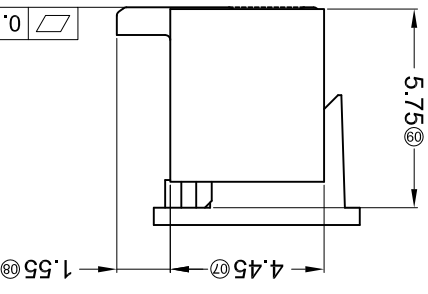
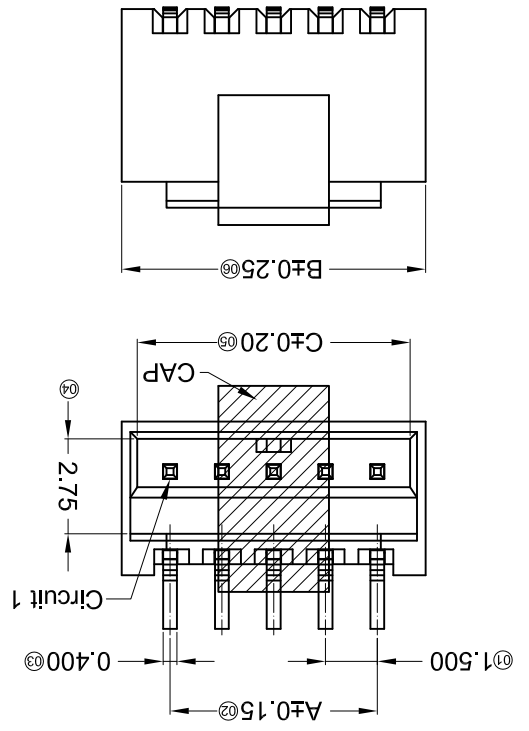
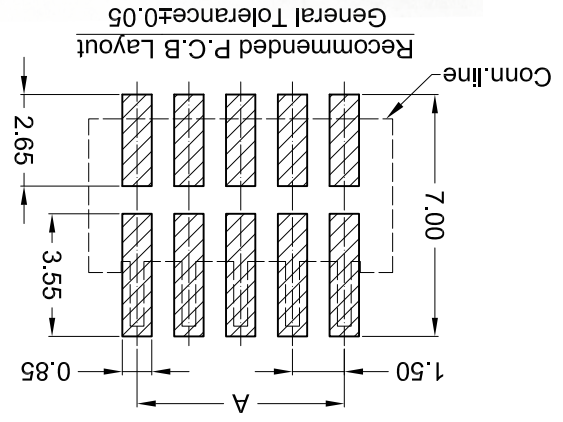
| DATE | VIEW: | VIEW: |
|------|-------|-------|
| | | |

| DATE | UNIT: mm | SIZE: A4 |
|------|----------|----------|
| | | |

| DATE | DATE | DATE |
|------|------|------|
| | | |

| DATE | DATE | DATE |
|------|------|------|
| | | |

| DATE | DATE | DATE |
|------|------|------|
| | | |



- Specifications :**
- Voltage rating: 350V AC / DC
 - Current rating: 3A AC / DC
 - Withstanding voltage: 500V AC/minute
 - Temperature range: -55°C~+105°C
 - Insulation resistance: ≥1000MΩ
 - Contact resistance: ≤20mΩ
 - After environmental testing: ≤40mΩ

X1511 W V S-XX HF-LP SW XX

- ① Series No.
- ② Category: W-water
- ③ Welding Board Angle: V- Straight 180°
- ④ Welding Way: S-SMT
- ⑤ Row No.-Pin No.: XX-02P~15P
- ⑥ Plug the Pin & Special No.: HF-Halogen Free
- ⑦ Material: LP-LCP 94V-0
- ⑧ Plating Category: SW-Matte Tin Plating
- ⑨ Color: Blank-Natural Color

| Poles | Dimensions (mm) | | |
|-------|-----------------|-------|-------|
| | A | B | C |
| 02 | 1.50 | 4.30 | 3.40 |
| 03 | 3.00 | 5.80 | 4.90 |
| 04 | 4.50 | 7.30 | 6.40 |
| 05 | 6.00 | 8.80 | 7.90 |
| 06 | 7.50 | 10.30 | 9.40 |
| 07 | 9.00 | 11.80 | 10.90 |
| 08 | 10.50 | 13.30 | 12.40 |

| Poles | Dimensions (mm) | | |
|-------|-----------------|-------|-------|
| | A | B | C |
| 09 | 12.00 | 14.80 | 13.90 |
| 10 | 13.50 | 16.30 | 15.40 |
| 11 | 15.00 | 17.80 | 16.90 |
| 12 | 16.50 | 19.30 | 18.40 |
| 13 | 18.00 | 20.80 | 19.90 |
| 14 | 19.50 | 22.30 | 21.40 |
| 15 | 21.00 | 23.80 | 22.90 |

| PART NO | Material | Material(Pin) | Finish(Pin) | Suitable XKB Terminal |
|--------------------|---------------------------|---------------|-------------------|-----------------------|
| X1511WVS-XX-LPSW | LCP UL 94V-0 | Brass | Matte Tin Plating | X1511H |
| X1511WVS-XXHF-LPSW | LCP UL 94V-0 Halogen Free | | | |

X-ON Electronics

Largest Supplier of Electrical and Electronic Components

Click to view similar products for [Headers & Wire Housings](#) category:

Click to view products by [XKB](#) manufacturer:

Other Similar products are found below :

[95000-104TRLF](#) [10135584-644402LF](#) [DF62W-EP2022PCA](#) [95000-106TRLF](#) [DF62W-2022SCA](#) [DF62W-EP2022PC](#) [2203348](#) [DF62W-2022SC](#) [1084018](#) [1029039](#) [1084017](#) [802-10-012-10-002000](#) [1112640](#) [1112639](#) [891-007-9SS-BST1T](#) [000-34000](#) [0008550134](#) [0009482033](#) [0009507031](#) [57102-F02-18ULF](#) [57102-S06-03LF](#) [57202-S52-04LF](#) [PCN6-15S-2.5E](#) [0039019024](#) [58102-G61-06LF](#) [582553-1](#) [0009485154](#) [0009508121](#) [0022285053](#) [0050291907](#) [018731A](#) [LY20-4P-DT1-P1E-BR](#) [02.125.8002.8](#) [60101931](#) [60598-1 \(Cut Strip\)](#) [M1625-3R/100](#) [61062-3](#) [61082-181009](#) [CSU011177004](#) [636-1427](#) [638009-1](#) [641938-9](#) [641991-4](#) [644168-1](#) [644827-2](#) [647662-1](#) [65039-019ELF](#) [65692-001LF](#) [65781-018](#) [65781-047](#)