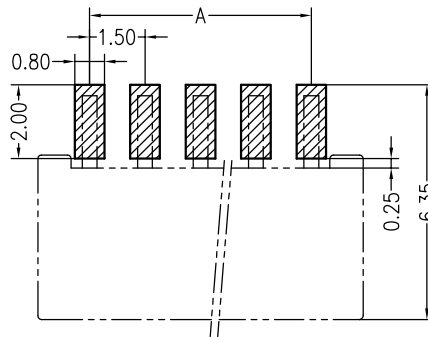


PCB LAYOUT



Specifications :

- Voltage rating: 350V AC / DC
- Current rating: 3A AC / DC
- Withstanding voltage: 500V AC/minute
- Temperature range: -55°C~+105°C
- Insulation resistance: ≥1000MΩ
- Contact resistance: ≤20mΩ
- After environmental testing: ≤40mΩ

X1511 W V S-XX L HF -LP SW

① ② ③ ④ ⑤ ⑥ ⑦ ⑧ ⑨

- ① Series No.
- ② Category: W-wafer
- ③ Welding Board Angle: V- Straight 180°
- ④ Welding Way: S-SMT
- ⑤ Row No.-Pin No.: XX-02P~15P
- ⑥ Plug the Pin & Special NO.: L-With Lock
- ⑦ Plug the Pin & Special No.: HF-Halogen Free
- ⑧ Material: LP -LCP 94V-0
- ⑨ Planting Category: SW- Matte Tin Plating

| Poles | Dimensions (mm) | | | Poles | Dimensions (mm) | | |
|-------|-----------------|-------|-------|-------|-----------------|-------|-------|
| | A | B | C | | A | B | C |
| 02 | 1.50 | 4.30 | 3.70 | 09 | 12.00 | 14.80 | 14.20 |
| 03 | 3.00 | 5.80 | 5.20 | 10 | 13.50 | 16.30 | 15.70 |
| 04 | 4.50 | 7.30 | 6.70 | 11 | 15.00 | 17.80 | 17.20 |
| 05 | 6.00 | 8.80 | 8.20 | 12 | 16.50 | 19.30 | 18.70 |
| 06 | 7.50 | 10.30 | 9.70 | 13 | 18.00 | 20.80 | 20.20 |
| 07 | 9.00 | 11.80 | 11.20 | 14 | 19.50 | 22.30 | 21.70 |
| 08 | 10.50 | 13.30 | 12.70 | 15 | 21.00 | 23.80 | 23.20 |

| | | | | |
|---------------------|---------------------------|---------------|-------------------|-----------------------|
| X1511WVS-XXLHF-LPSW | LCP UL 94V-0 Halogen Free | Brass | Matte Tin Plating | X1511H |
| PART NO | Material | Material(Pin) | Finish(Pin) | Suitable XKB Terminal |

For and on behalf of
XKB INDUSTRIAL PRECISION CO., LIMITED
 香港星坤工業精密有限公司

| | | | | | | |
|------|-------------|------|---------|----------|------------------------|------|
| △ X | | | | | ANGULAR | ±5° |
| △ X | | | | | L ≤ 4 | ±0.2 |
| △ X | | | | | 4 < L ≤ 16 | ±0.3 |
| △ X | | | | | 16 < L ≤ 63 | ±0.4 |
| MARK | DESCRIPTION | DATE | REVISED | APPROVED | L > 63 | ±0.5 |
| | | | | | UNSPECIFIED TOLERANCES | |

| | | | | | | |
|------|--|------|--|------------|------------------------------------|----------|
| DSND | | DATE | | SCALE: N/A | MODEL TYPE: X1511WVS-XXL-LPSWHF | |
| DWN | | DATE | | VIEW: | PART NO.: | |
| CHKD | | DATE | | UNIT: mm | 1.50mm Crimp Style Connectors | |
| APPD | | DATE | | SIZE: A4 | DWG NO.: | |
| | | | | WEIGHT | SHEET | REVISION |
| | | | | 1.0g | 1/1 | A0 |

XKB INDUSTRIAL PRECISION CO., LIMITED

Authorized Signature(s)

X-ON Electronics

Largest Supplier of Electrical and Electronic Components

Click to view similar products for [Headers & Wire Housings](#) category:

Click to view products by [XKB](#) manufacturer:

Other Similar products are found below :

[95000-104TRLF](#) [10135584-644402LF](#) [DF62W-EP2022PCA](#) [95000-106TRLF](#) [DF62W-2022SCA](#) [DF62W-EP2022PC](#) [2203348](#) [DF62W-2022SC](#) [1084018](#) [1029039](#) [1084017](#) [802-10-012-10-002000](#) [1112640](#) [1112639](#) [891-007-9SS-BST1T](#) [000-34000](#) [0008550134](#) [0009482033](#) [0009507031](#) [57102-F02-18ULF](#) [57102-S06-03LF](#) [57202-S52-04LF](#) [PCN6-15S-2.5E](#) [0039019024](#) [58102-G61-06LF](#) [582553-1](#) [0009485154](#) [0009508121](#) [0022285053](#) [0050291907](#) [018731A](#) [LY20-4P-DT1-P1E-BR](#) [02.125.8002.8](#) [60101931](#) [60598-1 \(Cut Strip\)](#) [M1625-3R/100](#) [61062-3](#) [61082-181009](#) [CSU011177004](#) [636-1427](#) [638009-1](#) [641938-9](#) [641991-4](#) [644168-1](#) [644827-2](#) [647662-1](#) [65039-019ELF](#) [65692-001LF](#) [65781-018](#) [65781-047](#)