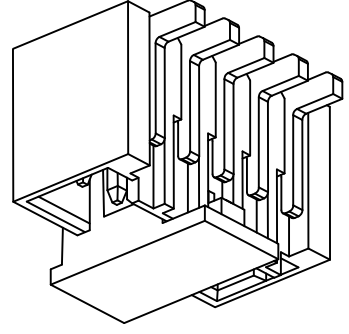
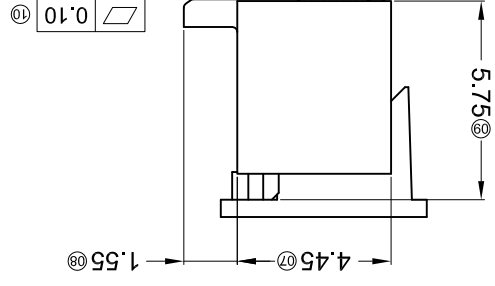
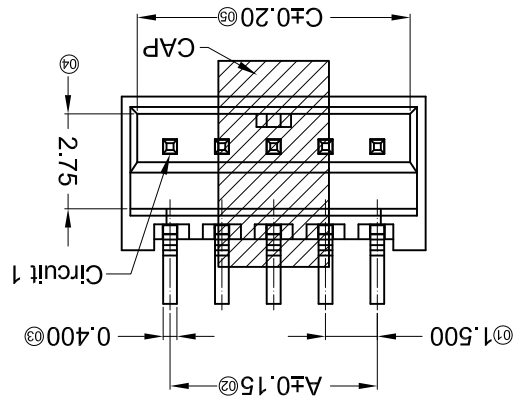
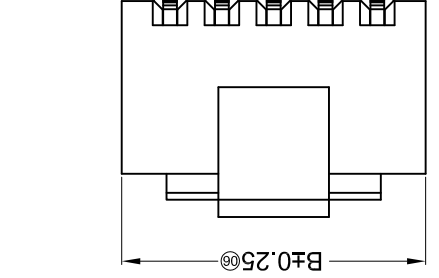
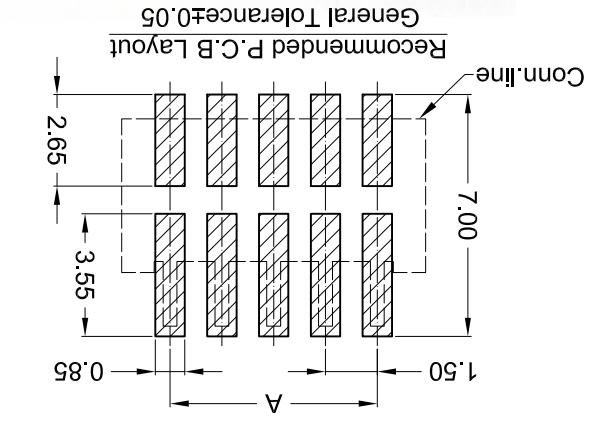


For and on behalf of
XKB INDUSTRIAL PRECISION CO., LIMITED
 香港星坤工業精密有限公司

MARK	DESCRIPTION	DATE	REVISED	APPROVED	UNSPECIFIED TOLERANCES
△ X					L > 63
△ X					16 > L ≤ 63
△ X					4 < L ≤ 16
△ X					L ≤ 4
					ANGULAR
					± 5°



Specifications :

- Voltage rating: 350V AC / DC
- Current rating: 3A AC / DC
- Withstanding voltage: 500V AC/minute
- Temperature range: -55°C~+105°C
- Insulation resistance: ≥1000MΩ
- Contact resistance: ≤20mΩ
- After environmental testing: ≤40mΩ

X1511 W V S-XX HF-LP SW XX

- ① Series No.
- ② Category: W-water
- ③ Welding Board Angle: V- Straight 180°
- ④ Welding Way: S-SMT
- ⑤ Row No.-Pin No.: XX-02P~15P
- ⑥ Plug the Pin & Special No.: HF-Halogen Free
- ⑦ Material: LP-LCP 94V-0
- ⑧ Plating Category: SW-Matte Tin Plating
- ⑨ Color: Blank-Natural Color

Poles	Dimensions (mm)		
	A	B	C
02	1.50	4.30	3.40
09	12.00	14.80	13.90
03	3.00	5.80	4.90
10	13.50	16.30	15.40
04	4.50	7.30	6.40
11	15.00	17.80	16.90
05	6.00	8.80	7.90
12	16.50	19.30	18.40
06	7.50	10.30	9.40
13	18.00	20.80	19.90
07	9.00	11.80	10.90
14	19.50	22.30	21.40
15	21.00	23.80	22.90

PART NO	Material	Material(Pin)	Finish(Pin)	Suitable XKB Terminal
X1511WVS-XX-LPSW	LCP UL 94V-0	Halogen Free		
X1511WVS-XXHF-LPSW	LCP UL 94V-0		Matte Tin Plating	X1511H

DATE	SCALE: N/A	MODEL TYPE:	X1511WVS-XXHF-LPSW
DWNDN	VIEW:	PART NO.:	
CHKD	UNIT: mm	DWG NO.:	
APPD	DATE	SIZE: A4	

REVISION	SHEET	WEIGHT	1.0g
A0	1/1		

X-ON Electronics

Largest Supplier of Electrical and Electronic Components

Click to view similar products for [Headers & Wire Housings](#) category:

Click to view products by [XKB](#) manufacturer:

Other Similar products are found below :

[95000-104TRLF](#) [10135584-644402LF](#) [DF62W-EP2022PCA](#) [95000-106TRLF](#) [DF62W-2022SCA](#) [DF62W-EP2022PC](#) [2203348](#) [DF62W-2022SC](#) [1084018](#) [1029039](#) [1084017](#) [802-10-012-10-002000](#) [1112640](#) [1112639](#) [891-007-9SS-BST1T](#) [000-34000](#) [0008550134](#) [0009482033](#) [0009507031](#) [57102-F02-18ULF](#) [57102-S06-03LF](#) [57202-S52-04LF](#) [PCN6-15S-2.5E](#) [0039019024](#) [58102-G61-06LF](#) [582553-1](#) [0009485154](#) [0009508121](#) [0022285053](#) [0050291907](#) [018731A](#) [LY20-4P-DT1-P1E-BR](#) [02.125.8002.8](#) [60101931](#) [60598-1 \(Cut Strip\)](#) [M1625-3R/100](#) [61062-3](#) [61082-181009](#) [CSU011177004](#) [636-1427](#) [638009-1](#) [641938-9](#) [641991-4](#) [644168-1](#) [644827-2](#) [647662-1](#) [65039-019ELF](#) [65692-001LF](#) [65781-018](#) [65781-047](#)