

For and on behalf of
XKB INDUSTRIAL PRECISION CO., LIMITED
 香港星坤工業精密有限公司
 REVISIONS
 Authorized Signatures(s)

MARK	DESCRIPTION	DATE	REVISED	APPROVED	UNSPECIFIED TOLERANCES
△ X					L > 63
△ X					16 > L ≤ 63
△ X					4 > L ≤ 16
△ X					L ≤ 4
					ANGULAR ±5°

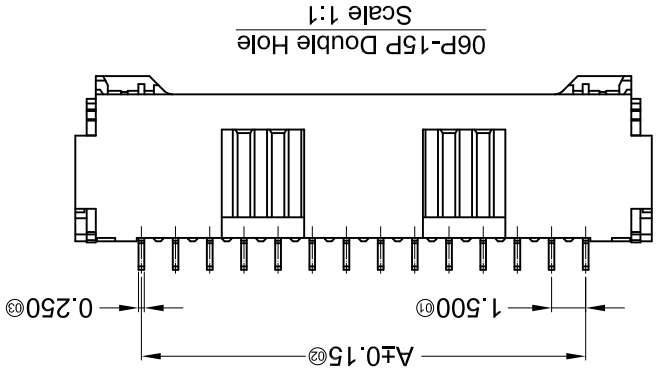
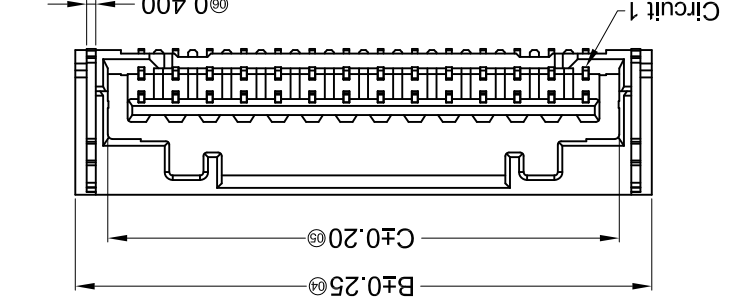
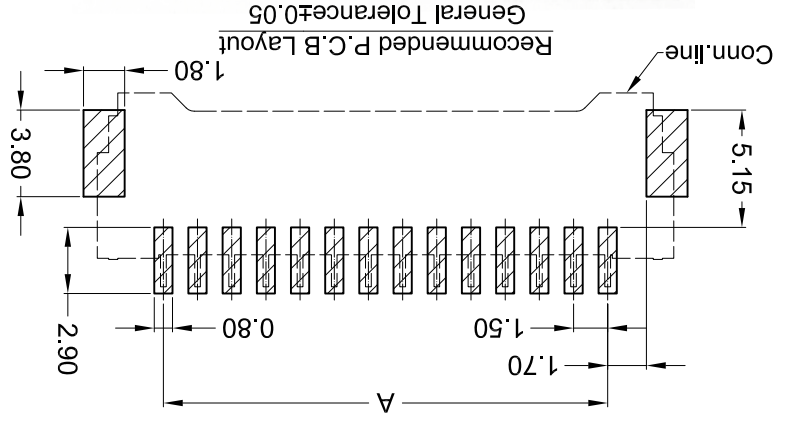
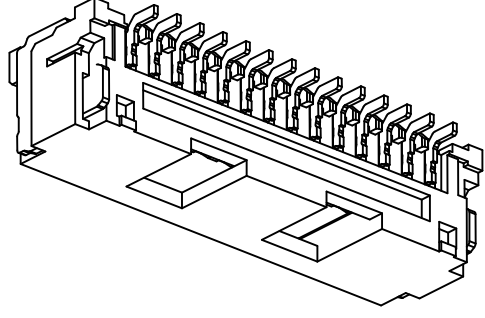
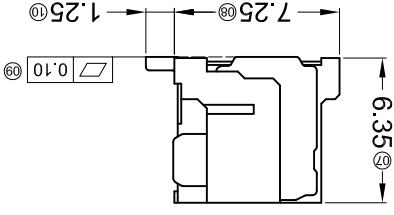
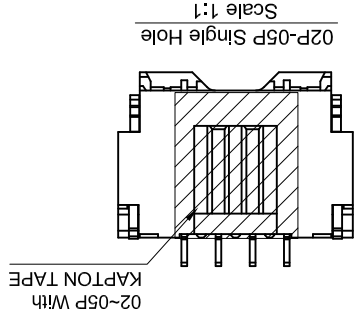
REVISION	SHEET	WEIGHT	SIZE: A4	DATE	APPD
A0	1/1	1.0g			

DATE	VIEW:	UNIT: mm	DATE	CHKD

DATE	SCALE: N/A	MODEL TYPE: X1515WRS-XX-LPSW	DATE	DWNS

PART NO	Material	Material(Pin)	(Solder Tabs) Material	(Pin And Solder Tabs) Finish	Suitable XKB Terminal
X1515WRS-XX-LPSW	LCP UL 94V-0	Phosphor Bronze	Brass	Matte Tin-Plated	X1515H

Poles	Dimensions (mm)		
	A	B	C
02	1.50	7.30	4.45
03	3.00	8.80	5.95
04	4.50	10.30	7.45
05	6.00	11.80	8.95
06	7.50	13.30	10.45
07	9.00	14.80	11.95
08	10.50	16.30	13.45



- ① Series No.
- ② Category: W-water
- ③ Welding Board Angle: R- Right angle 90°
- ④ Welding Way: S-SMT
- ⑤ Row No.-Pin No.: XX-02P~15P
- ⑥ Plug the Pin & Special No.:
- ⑦ Material: LP-LCP 94V-0;
- ⑧ Planting Category: SW-Matte Tin Plating
- ⑨ Color: Blank-Natural Color

X1515 W R S-XX X-LP SW XX

- Specifications :
- Voltage rating: 100V AC / DC
 - Current rating: 2A AC / DC
 - Withstanding voltage: 500V AC/minute
 - Temperature range: -40°C~+85°C
 - Insulation resistance: ≥500MΩ
 - Contact resistance: ≤20mΩ
 - After environmental testing: ≤40mΩ

X-ON Electronics

Largest Supplier of Electrical and Electronic Components

Click to view similar products for [Headers & Wire Housings](#) category:

Click to view products by [XKB](#) manufacturer:

Other Similar products are found below :

[95000-104TRLF](#) [10135584-644402LF](#) [DF62W-EP2022PCA](#) [95000-106TRLF](#) [DF62W-2022SCA](#) [DF62W-EP2022PC](#) [2203348](#) [DF62W-2022SC](#) [1084018](#) [1029039](#) [1084017](#) [802-10-012-10-002000](#) [1112640](#) [1112639](#) [891-007-9SS-BST1T](#) [000-34000](#) [0008550134](#) [0009482033](#) [0009507031](#) [57102-F02-18ULF](#) [57102-S06-03LF](#) [57202-S52-04LF](#) [PCN6-15S-2.5E](#) [0039019024](#) [58102-G61-06LF](#) [582553-1](#) [0009485154](#) [0009508121](#) [0022285053](#) [0050291907](#) [018731A](#) [LY20-4P-DT1-P1E-BR](#) [02.125.8002.8](#) [60101931](#) [60598-1 \(Cut Strip\)](#) [M1625-3R/100](#) [61062-3](#) [61082-181009](#) [CSU011177004](#) [636-1427](#) [638009-1](#) [641938-9](#) [641991-4](#) [644168-1](#) [644827-2](#) [647662-1](#) [65039-019ELF](#) [65692-001LF](#) [65781-018](#) [65781-047](#)