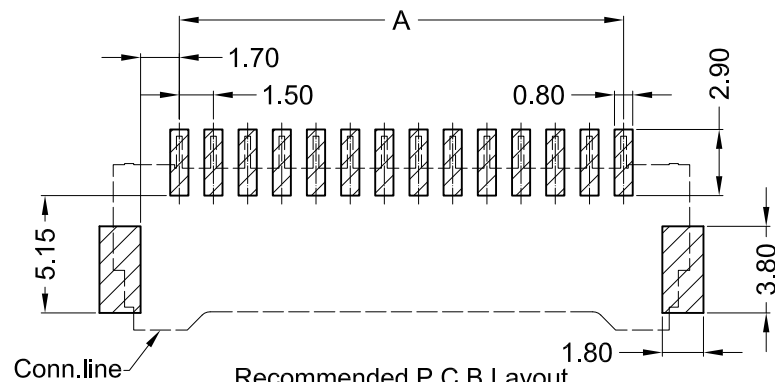
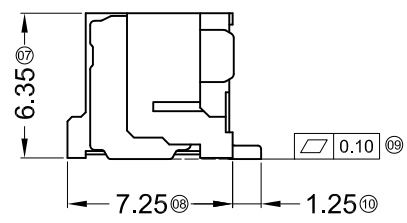
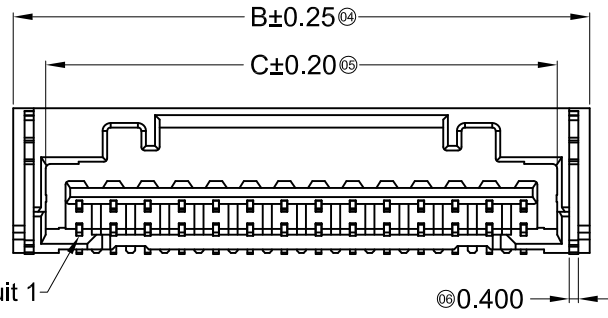
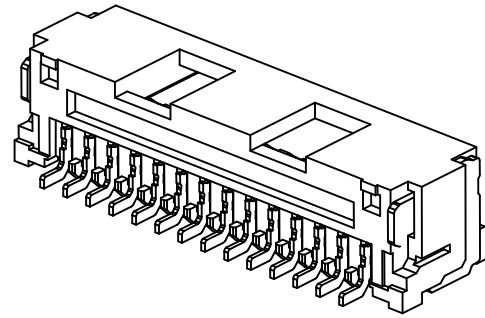
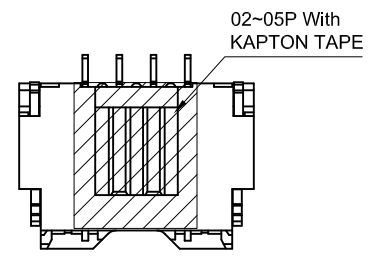


06P-15P Double Hole
Scale 1:1



Recommended P.C.B Layout
General Tolerance±0.05



02P-05P Single Hole
Scale 1:1

Specifications :

- Voltage rating: 100V AC / DC
- Current rating: 2A AC / DC
- Withstanding voltage: 500V AC/minute
- Temperature range: -40°C~+85°C
- Insulation resistance: ≥500MΩ
- Contact resistance: ≤20mΩ
- After environmental testing: ≤40mΩ

X1515 W R S-XX X- LP SW XX

① ② ③ ④ ⑤ ⑥ ⑦ ⑧ ⑨

- ① Series No.
- ② Category: W-wafer
- ③ Welding Board Angle: R- Right angle 90°
- ④ Welding Way: S-SMT
- ⑤ Row No.-Pin No.: XX-02P~15P
- ⑥ Plug the Pin & Special No.:
- ⑦ Material: LP-LCP 94V-0 ;
- ⑧ Planting Category: SW- Matte Tin Plating
- ⑨ Color: Blank-Natural Color

| Poles | Dimensions (mm) | | | Poles | Dimensions (mm) | | |
|-------|-----------------|-------|-------|-------|-----------------|-------|-------|
| | A | B | C | | A | B | C |
| 02 | 1.50 | 7.30 | 4.45 | 09 | 12.00 | 17.80 | 14.95 |
| 03 | 3.00 | 8.80 | 5.95 | 10 | 13.50 | 19.30 | 16.45 |
| 04 | 4.50 | 10.30 | 7.45 | 11 | 15.00 | 20.80 | 17.95 |
| 05 | 6.00 | 11.80 | 8.95 | 12 | 16.50 | 22.30 | 19.45 |
| 06 | 7.50 | 13.30 | 10.45 | 13 | 18.00 | 23.80 | 20.95 |
| 07 | 9.00 | 14.80 | 11.95 | 14 | 19.50 | 25.30 | 22.45 |
| 08 | 10.50 | 16.30 | 13.45 | 15 | 21.00 | 26.80 | 23.95 |

| | | | | | |
|------------------|--------------|-----------------|------------------------|------------------------------|-----------------------|
| X1515WRS-XX-LPSW | LCP UL 94V-0 | Phosphor Bronze | Brass | Matte Tin-Plated | X1515H |
| PART NO | Material | Material(Pin) | Material (Solder Tabs) | Finish (Pin And Solder Tabs) | Suitable XKB Terminal |

For and on behalf of
XKB INDUSTRIAL PRECISION CO., LIMITED
香港星坤工業精密有限公司

| | | | | | | |
|-----------|-------------|------|---------|----------|------------------------|------|
| △ X | | | | | ANGULAR | ±5° |
| △ X | | | | | L ≤ 4 | ±0.2 |
| △ X | | | | | 4 < L ≤ 16 | ±0.3 |
| △ X | | | | | 16 < L ≤ 63 | ±0.4 |
| MARK | DESCRIPTION | DATE | REVISED | APPROVED | L > 63 | ±0.5 |
| REVISIONS | | | | | UNSPECIFIED TOLERANCES | |

| | | | |
|------|------|------------|---------------------------------|
| DSND | DATE | SCALE: N/A | MODEL TYPE: X1515WRS-XX-LPSW |
| DWN | DATE | VIEW: | PART NO.: |
| CHKD | DATE | UNIT: mm | 1.50mm Crimp Style Connectors |
| APPD | DATE | SIZE: A4 | DWG NO.: |

| | | |
|--------|-------|----------|
| WEIGHT | SHEET | REVISION |
| 1.0g | 1/1 | A0 |

Authorized Signature(s)

XKB INDUSTRIAL PRECISION CO., LIMITED

X-ON Electronics

Largest Supplier of Electrical and Electronic Components

Click to view similar products for [Headers & Wire Housings](#) category:

Click to view products by [XKB](#) manufacturer:

Other Similar products are found below :

[57102-F02-18ULF](#) [58102-G61-06LF](#) [582553-1](#) [009176003701906](#) [0050291907](#) [02.125.8002.8](#) [609-3404](#) [61062-3](#) [622-0430](#) [622-3653LF](#)
[63453-116](#) [636-1030](#) [636-1427](#) [636-3427](#) [636-4007](#) [641938-9](#) [65495-038](#) [65692-001LF](#) [65781-018](#) [65781-047](#) [65817-010LF](#) [65817-015LF](#)
[66207-023LF](#) [67016-026LF](#) [67095-007LF](#) [68631-112](#) [68645-018](#) [68648-049](#) [699319-000](#) [M90C108951C](#) [70.362.1628.0](#) [70-4210](#) [70-4226B](#)
[70-4853B](#) [707-5020](#) [707-5028](#) [71.350.2428.0](#) [71961-016LF](#) [733-134](#) [754199-000](#) [760-3052](#) [787-8014-00](#) [FCN-367T-T012/H](#)
[80.063.4001.1](#) [800-90-001-10-001000](#) [801-43-002-10-013000](#) [801-43-006-10-002000](#) [803-41-018-10-001000](#) [803-43-014-20-001000](#)
[803-43-024-10-001000](#)