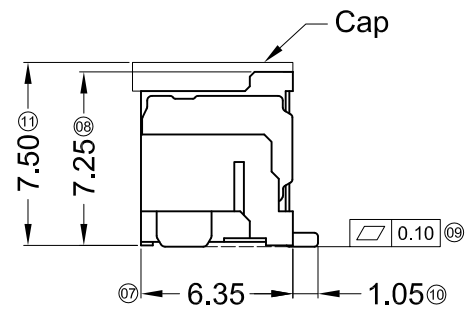
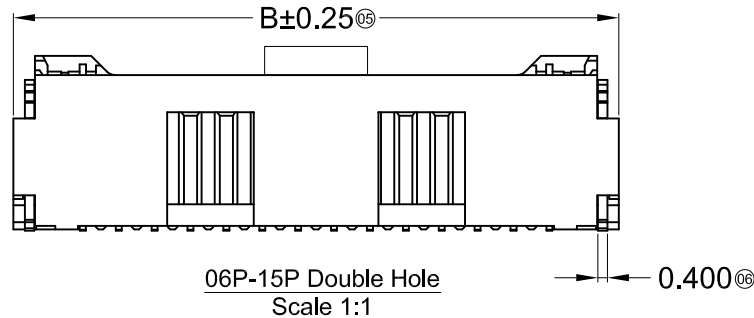
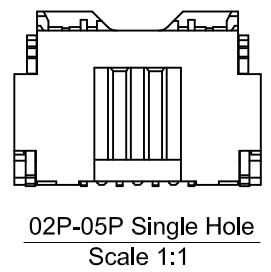
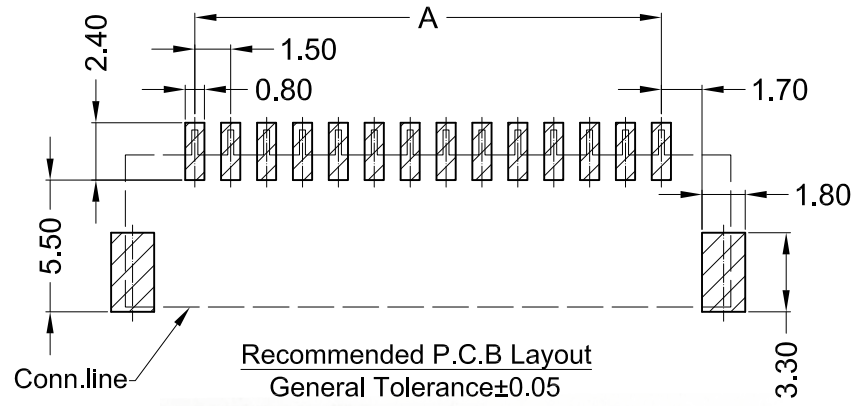


- Specifications :**
- Voltage rating: 100V AC / DC
  - Current rating: 2A AC / DC
  - Withstanding voltage: 500V AC/minute
  - Temperature range: -40°C~+85°C
  - Insulation resistance: ≥500MΩ
  - Contact resistance: ≤20mΩ
  - After environmental testing: ≤40mΩ



**X1515 W V S-XX X- LP SW XX**  
 ① ② ③ ④ ⑤ ⑥ ⑦ ⑧ ⑨

- ① Series No.
- ② Category: W-wafer
- ③ Welding Board Angle: V- Straight 180°
- ④ Welding Way: S-SMT
- ⑤ Row No.-Pin No.: XX-02P~15P
- ⑥ Plug the Pin & Special No.:
- ⑦ Material: LP-LCP 94V-0 ;
- ⑧ Planting Category: SW- Matte Tin Plating
- ⑨ Color: Blank-Natural Color



Poles	Dimensions (mm)			Poles	Dimensions (mm)		
	A	B	C		A	B	C
02	1.50	7.30	4.45	09	12.00	17.80	14.95
03	3.00	8.80	5.95	10	13.50	19.30	16.45
04	4.50	10.30	7.45	11	15.00	20.80	17.95
05	6.00	11.80	8.95	12	16.50	22.30	19.45
06	7.50	13.30	10.45	13	18.00	23.80	20.95
07	9.00	14.80	11.95	14	19.50	25.30	22.45
08	10.50	16.30	13.45	15	21.00	26.80	23.95

X1515WVS-XX-LPSW	LCP UL 94V-0	Phosphor Bronze	Brass	Matte Tin-Plated	X1515H
PART NO	Material	Material(Pin)	Material (Solder Tabs)	Finish (Pin And Solder Tabs)	Suitable XKB Terminal

For and on behalf of  
**XKB INDUSTRIAL PRECISION CO., LIMITED**  
 香港星坤工業精密有限公司

△ X					ANGULAR	±5°	DSND		DATE	SCALE: N/A	MODEL TYPE: X1515WVS-XX-LPSW	
△ X					L ≤ 4	±0.2	DWN		DATE	VIEW:	PART NO.:	
△ X					4 < L ≤ 16	±0.3	CHKD		DATE	UNIT: mm	1.50mm Crimp Style Connectors	
△ X					16 < L ≤ 63	±0.4	APPD		DATE	SIZE: A4	DWG NO.:	
MARK	DESCRIPTION	DATE	REVISED	APPROVED	L > 63	±0.5						
					UNSPECIFIED TOLERANCES		<b>XKB INDUSTRIAL PRECISION CO., LIMITED</b>			WEIGHT	SHEET	REVISION
										1.0g	1/1	A0

## X-ON Electronics

Largest Supplier of Electrical and Electronic Components

*Click to view similar products for [Headers & Wire Housings](#) category:*

*Click to view products by [XKB](#) manufacturer:*

Other Similar products are found below :

[0015917161](#) [0022155065](#) [57102-F02-18ULF](#) [58102-G61-06LF](#) [582553-1](#) [01.001.5753.1](#) [0050291907](#) [02.125.8002.8](#) [609-3404](#) [61062-3](#)  
[CSU011177004](#) [622-0430](#) [622-3653LF](#) [63453-116](#) [636-1030](#) [636-1427](#) [636-3427](#) [636-4007](#) [641938-9](#) [65495-038](#) [65692-001LF](#) [65781-018](#)  
[65781-047](#) [65817-010LF](#) [65817-015LF](#) [67095-007LF](#) [67601157](#) [68631-112](#) [68645-018](#) [699319-000](#) [70.362.1628.0](#) [70-4210](#) [70-4226B](#) [70-](#)  
[4853B](#) [71.350.2428.0](#) [733-134](#) [733-162](#) [760-3052](#) [MHR-64-VUAL](#) [80.063.4001.1](#) [800-90-001-10-001000](#) [801-43-002-10-013000](#)  
[801-43-006-10-002000](#) [803-43-024-10-001000](#) [803-93-012-10-001000](#) [8-1437020-4](#) [819-22-004-30-001101](#) [820-22-006-30-001101](#)  
[820-22-008-30-001101](#) [821-22-002-10-001101](#)