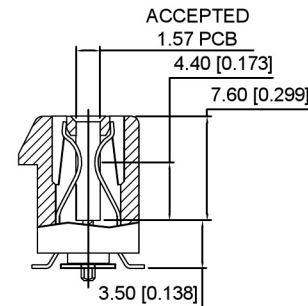
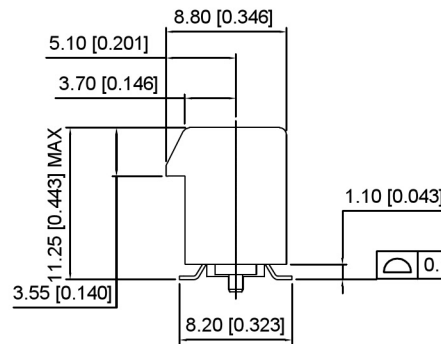


NOTES 备注:

1. MATERIAL 材料:
 - 1.1 HOUSING 胶壳: THERMOPLASTIC, HIGH TEMP, UL94V-0, COLOR: BLACK.
 - 1.2 CONTACTS 端子: COPPER ALLOY.
 - 1.3 HOLD DOWN 压端: COPPER ALLOY.
 - 1.4 CAP 覆盖: THERMOPLASTIC, HIGH TEMP, UL94V-0, COLOR: BLACK.
2. FINISH 电镀:
 - 2.1 CONTACT 端子: SELECTIVE GOLD PLATING ON THE CONTACT AREA. 100µ" MIN. MATTE-TIN PLATING ON THE SOLDER TAILS, 50µ" MIN. NICKEL UNDERPLATING OVERALL.
 - 2.2 HOLD DOWN 压端: 100µ" MIN. MATTE-TIN PLATING WITH 50µ" MIN. NICKEL UNDERPLATE OVERALL.



SECTION G-G

X1611 W V S - XX - 9T V01

- ① ② ③ ④ ⑤ ⑥ ⑦

- ① Series Number
- ② Terminal form: W-Wafer
- ③ Welding Board Angle : V-Straight Angle 180°
- ④ Welding Way: S-SMT
- ⑤ No. of Pins: 36~164 Pin
- ⑥ Plastic material: PA9T/PA46 UL94V-0
- ⑦ Contact Plating: V01-Gold Flash
V15-Gold 15u"
V30-Gold 30u"

| DIMENSIONS | | | | | |
|------------|---------|---------------------------------------|---------|---------|--------|
| POSITION | A ±0.20 | B ^{+0.20} / _{-0.08} | C ±0.25 | D ±0.25 | E ±0.3 |
| 36 | 6 | 7.65 | 9.15 | 25 | 27 |
| 64 | 20 | 21.65 | 23.15 | 39 | 41 |
| 98 | 37 | 38.65 | 40.15 | 56 | 58 |
| 164 | 70 | 71.65 | 73.15 | 89 | 91 |

广东星坤科技股份有限公司

| | |
|------|-------------|
| AX | 日期 |
| AX | 日期 |
| AX | 日期 |
| MARK | DESCRIPTION |

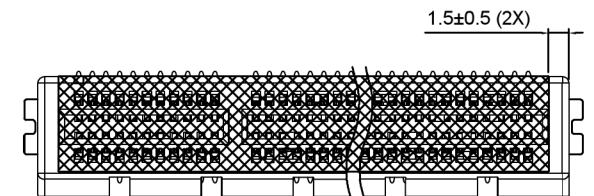
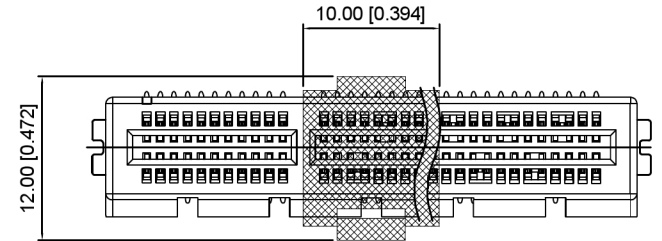
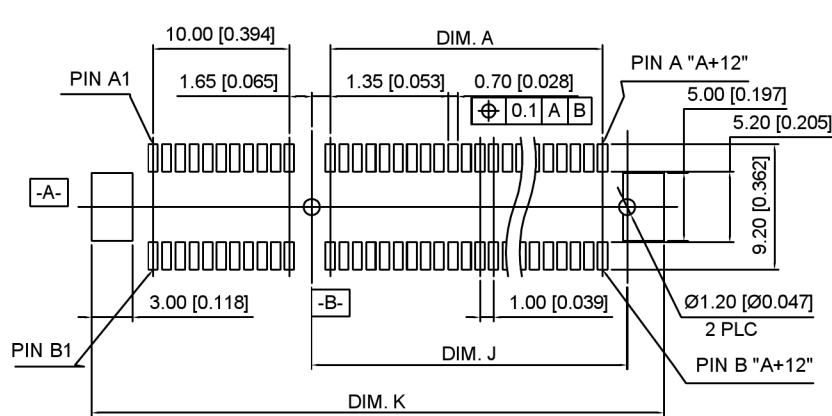
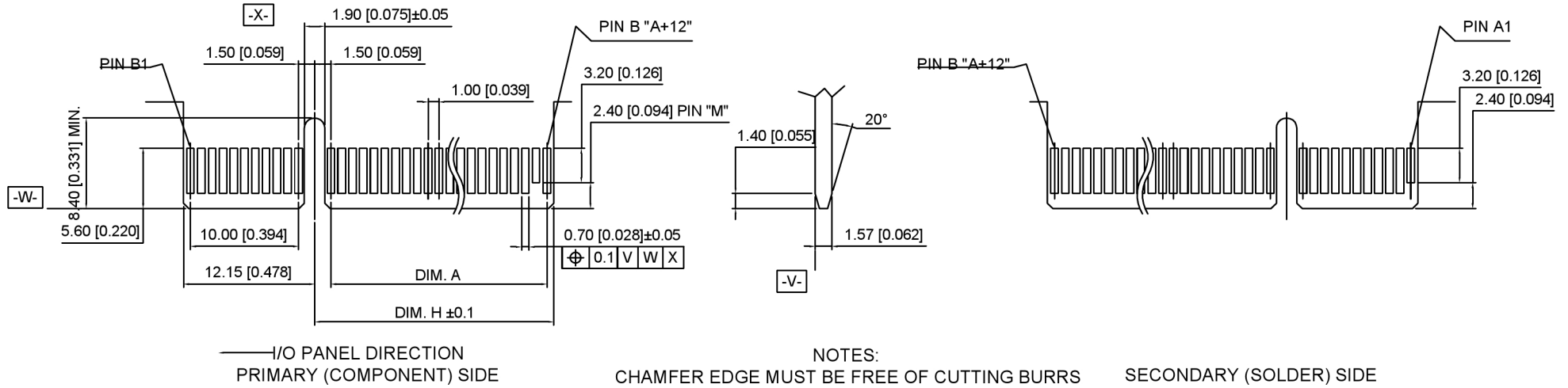
文件工程章

| REVISIONS | DATE | REVISED | APPROVED | UNSPECIFIED TOLERANCES |
|-------------|------|---------|----------|------------------------|
| ANGLAR | | | | ±5° |
| L ≤ 4 | | | | ±0.2 |
| 4 < L ≤ 16 | | | | ±0.3 |
| 16 < L ≤ 63 | | | | ±0.4 |
| L > 63 | | | | ±0.5 |

www.helloxkb.com www.helloxkb.cn www.xk-dg.cn

XKB

| | | |
|---------------------------------------|-------------|------------------------------|
| DSND | SCALE: N/A | MODEL TYPE: |
| DWN | VIEW: | PART NO.: X1611WVS-XX-9TV01 |
| CHKD | UNIT: mm/in | DWG NO.: X-X1611WVS-XX-9TV01 |
| APPD | SIZE: A4 | |
| XKB INDUSTRIAL PRECISION CO., LIMITED | | WEIGHT SHEET REVISION |
| | | 1/1 A0 |



| POS. | DIM. A | DIM. H | DIM. J | DIM. K | "M" |
|------|--------|--------|--------|--------|-----|
| 36 | 6 | 8.15 | 9.15 | 28.0 | B17 |
| 64 | 20 | 22.15 | 23.15 | 42.0 | B31 |
| 98 | 37 | 39.15 | 40.15 | 59.0 | B48 |
| 164 | 70 | 72.15 | 73.15 | 92.0 | B81 |

广东星坤科技股份有限公司

文件工程章

| REVISIONS | DATE | REVISED | APPROVED | UNSPECIFIED TOLERANCES |
|-----------|------|---------|----------|------------------------|
| | | | | |

| | | |
|---------------------------------------|-------------|------------------------------|
| DSND | SCALE: N/A | MODEL TYPE: |
| DWN | VIEW: | PART NO.: X1611WVS-XX-9TV01 |
| CHKD | UNIT: mm/in | DWG NO.: X-X1611WVS-XX-9TV01 |
| APPD | SIZE: A4 | WEIGHT SHEET REVISION |
| XKB INDUSTRIAL PRECISION CO., LIMITED | | 1/1 A0 |

X-ON Electronics

Largest Supplier of Electrical and Electronic Components

Click to view similar products for [XKB](#) manufacturer:

Other Similar products are found below :

[TC-1103-C-B](#) [TC-FS66D-C-A](#) [XKNANO-1307-16](#) [X9396WR-04-N0SN](#) [X9396WR-06-N0SN](#) [X0800WRS-06HF-LPV01](#) [U221-046N-4BU02-FS](#) [X3025WV-02-N0SN](#) [DC-0130-2.5A-2.0](#) [DC-0130-2.5A-2.5](#) [X6511WR-23H-C30D60-R2](#) [DF1-1365UNY-1](#) [XKB5858-Z-F-75](#) [X2011H-05A-N0](#) [X9821H-13A-N0](#) [U263-241N-4BQC13](#) [X6511WVS-12H-C60D48R2](#) [X6511WR-10H-C30D60R2](#) [X1270WVS-2x20A-6TV01](#) [TGG.0B.P04.CLAD52H](#) [ZGG.3K.P12.CLN](#) [ZGG.3K.P12.CLL](#) [ZGG.1K.P02.CLN](#) [ZEG.2K.P02.CLL](#) [ZCG.1B.P16.CLL](#) [TGG.2K.P02.CLAC50](#) [ZEG.3K.P12.CLN](#) [ZEG.2K.P12.CLN](#) [USB31-TYPE-C-FSABC](#) [X0510FVS-168AS-LPV01](#) [MHG.3K.P02.CLLC90H](#) [X6511FRS-05-C85D30](#) [X2001HA-PTAuN-A28B50-X2001HA-PTAuN-IDC](#) [X0709FT7BL1-A28G10-X9555H2-PTV01-IDC](#) [X2513WR-2x06A-LPSN](#) [PJ-3026](#) [TS-1101S-C-B-B-B](#) [SK-3390A-L1](#) [X05A20L17T](#) [TC-1102T-B](#) [X0800WRS-05HF-LPV01](#) [X1502WR-13K-N0SN](#) [U261-2422N-4B0178](#) [SS-3292S-L1-B](#) [X6511WR-04H-C30D60R2](#) [X9821WVS-16-9TSN](#) [X6511WR-03H-C30D60R2](#) [X1311FVS-05-C43D35R2](#) [X1311FR-02-C43D24](#) [X9821H-05A-N0](#)