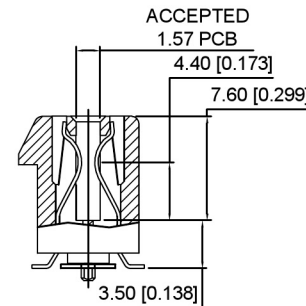
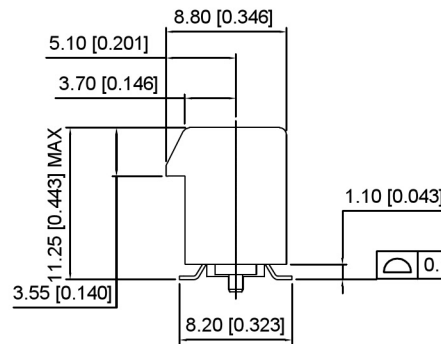


NOTES 备注:

1. MATERIAL 材料:
 - 1.1 HOUSING 胶壳: THERMOPLASTIC, HIGH TEMP, UL94V-0, COLOR: BLACK.
 - 1.2 CONTACTS 端子: COPPER ALLOY.
 - 1.3 HOLD DOWN 压端: COPPER ALLOY.
 - 1.4 CAP 覆盖: THERMOPLASTIC, HIGH TEMP, UL94V-0, COLOR: BLACK.
2. FINISH 电镀:
 - 2.1 CONTACT 端子:
 - SELECTIVE GOLD PLATING ON THE CONTACT AREA.
 - 100µ" MIN. MATTE-TIN PLATING ON THE SOLDER TAILS,
 - 50µ" MIN. NICKEL UNDERPLATING OVERALL.
 - 2.2 HOLD DOWN 压端:
 - 100µ" MIN. MATTE-TIN PLATING WITH 50µ" MIN.
 - NICKEL UNDERPLATE OVERALL.



SECTION G-G

X1611 W V S - XX - 9T V01

- ① ② ③ ④ ⑤ ⑥ ⑦

- ① Series Number
- ② Terminal form: W-Wafer
- ③ Welding Board Angle : V-Straight Angle 180°
- ④ Welding Way: S-SMT
- ⑤ No. of Pins: 36~164 Pin
- ⑥ Plastic material: PA9T/PA46 UL94V-0
- ⑦ Contact Plating: V01-Gold Flash
V15-Gold 15u"
V30-Gold 30u"

DIMENSIONS					
POSITION	A ±0.20	B ^{+0.20} / _{-0.08}	C ±0.25	D ±0.25	E ±0.3
36	6	7.65	9.15	25	27
64	20	21.65	23.15	39	41
98	37	38.65	40.15	56	58
164	70	71.65	73.15	89	91

广东星坤科技股份有限公司

AX	日期
AX	日期
AX	日期
MARK	DESCRIPTION

文件工程章

REVISIONS	DATE	REVISED	APPROVED	UNSPECIFIED TOLERANCES
ANGLAR ±5°				
L ≤ 4 ±0.2				
4 < L ≤ 16 ±0.3				
16 < L ≤ 63 ±0.4				
L > 63 ±0.5				

www.helloxkb.com www.helloxkb.cn www.xk-dg.cn

XKIB

DSND	SCALE: N/A	MODEL TYPE:
DWN	VIEW:	PART NO.: X1611WVS-XX-9TV01
CHKD	UNIT: mm/in	DWG NO.: X-X1611WVS-XX-9TV01
APPD	SIZE: A4	
XKB INDUSTRIAL PRECISION CO., LIMITED		WEIGHT SHEET REVISION 1/1 A0

X-ON Electronics

Largest Supplier of Electrical and Electronic Components

Click to view similar products for [XKB](#) manufacturer:

Other Similar products are found below :

[TC-1103-C-B](#) [TC-FS66D-C-A](#) [XKNANO-1307-16](#) [X9396WR-04-N0SN](#) [X9396WR-06-N0SN](#) [X0800WRS-06HF-LPV01](#) [U221-046N-4BU02-FS](#) [X3025WV-02-N0SN](#) [DC-0130-2.5A-2.0](#) [DC-0130-2.5A-2.5](#) [X6511WR-23H-C30D60-R2](#) [DF1-1365UNY-1](#) [XKB5858-Z-F-75](#) [X2011H-05A-N0](#) [X9821H-13A-N0](#) [U263-241N-4BQC13](#) [X6511WVS-12H-C60D48R2](#) [X6511WR-10H-C30D60R2](#) [X1270WVS-2x20A-6TV01](#) [TGG.0B.P04.CLAD52H](#) [ZGG.3K.P12.CLN](#) [ZGG.3K.P12.CLL](#) [ZGG.1K.P02.CLN](#) [ZEG.2K.P02.CLL](#) [ZCG.1B.P16.CLL](#) [TGG.2K.P02.CLAC50](#) [ZEG.3K.P12.CLN](#) [ZEG.2K.P12.CLN](#) [USB31-TYPE-C-FSABC](#) [X0510FVS-168AS-LPV01](#) [MHG.3K.P02.CLLC90H](#) [X6511FRS-05-C85D30](#) [X2001HA-PTAuN-A28B50-X2001HA-PTAuN-IDC](#) [X0709FT7BL1-A28G10-X9555H2-PTV01-IDC](#) [X2513WR-2x06A-LPSN](#) [PJ-3026](#) [TS-1101S-C-B-B-B](#) [SK-3390A-L1](#) [X05A20L17T](#) [TC-1102T-B](#) [X0800WRS-05HF-LPV01](#) [X1502WR-13K-N0SN](#) [U261-2422N-4B0178](#) [SS-3292S-L1-B](#) [X6511WR-04H-C30D60R2](#) [X9821WVS-16-9TSN](#) [X6511WR-03H-C30D60R2](#) [X1311FVS-05-C43D35R2](#) [X1311FR-02-C43D24](#) [X9821H-05A-N0](#)