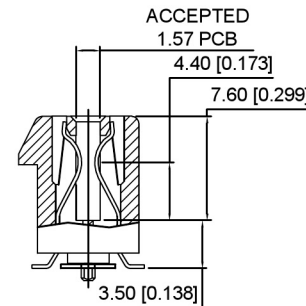
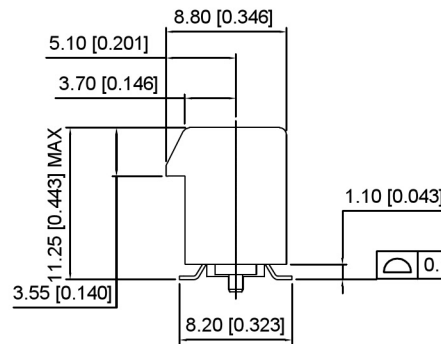


NOTES 备注:

1. MATERIAL 材料:
 - 1.1 HOUSING 胶壳: THERMOPLASTIC, HIGH TEMP, UL94V-0, COLOR: BLACK.
 - 1.2 CONTACTS 端子: COPPER ALLOY.
 - 1.3 HOLD DOWN 压端: COPPER ALLOY.
 - 1.4 CAP 覆盖: THERMOPLASTIC, HIGH TEMP, UL94V-0, COLOR: BLACK.
2. FINISH 电镀:
 - 2.1 CONTACT 端子: SELECTIVE GOLD PLATING ON THE CONTACT AREA. 100µ" MIN. MATTE-TIN PLATING ON THE SOLDER TAILS, 50µ" MIN. NICKEL UNDERPLATING OVERALL.
 - 2.2 HOLD DOWN 压端: 100µ" MIN. MATTE-TIN PLATING WITH 50µ" MIN. NICKEL UNDERPLATE OVERALL.



SECTION G-G

X1611 W V S - XX - 9T V01

- ① ② ③ ④ ⑤ ⑥ ⑦

- ① Series Number
- ② Terminal form: W-Wafer
- ③ Welding Board Angle : V-Straight Angle 180°
- ④ Welding Way: S-SMT
- ⑤ No. of Pins: 36~164 Pin
- ⑥ Plastic material: PA9T/PA46 UL94V-0
- ⑦ Contact Plating: V01-Gold Flash
V15-Gold 15u"
V30-Gold 30u"

DIMENSIONS					
POSITION	A ±0.20	B ^{+0.20} / _{-0.08}	C ±0.25	D ±0.25	E ±0.3
36	6	7.65	9.15	25	27
64	20	21.65	23.15	39	41
98	37	38.65	40.15	56	58
164	70	71.65	73.15	89	91

广东星坤科技股份有限公司

AX	日期
AX	日期
AX	日期
MARK	DESCRIPTION

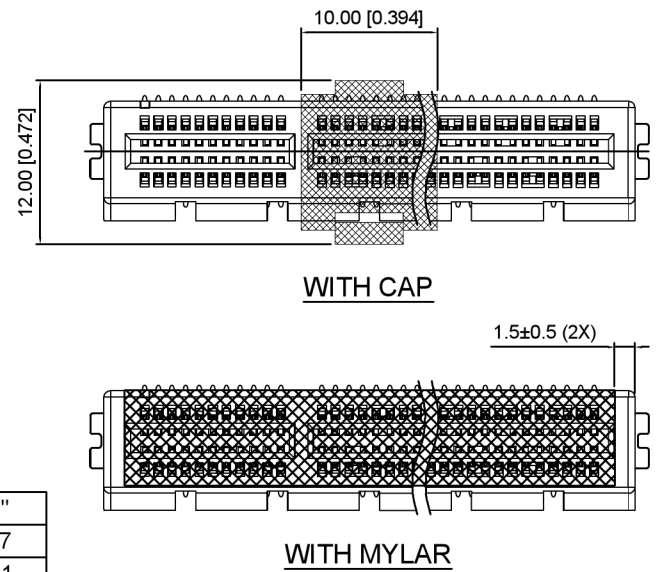
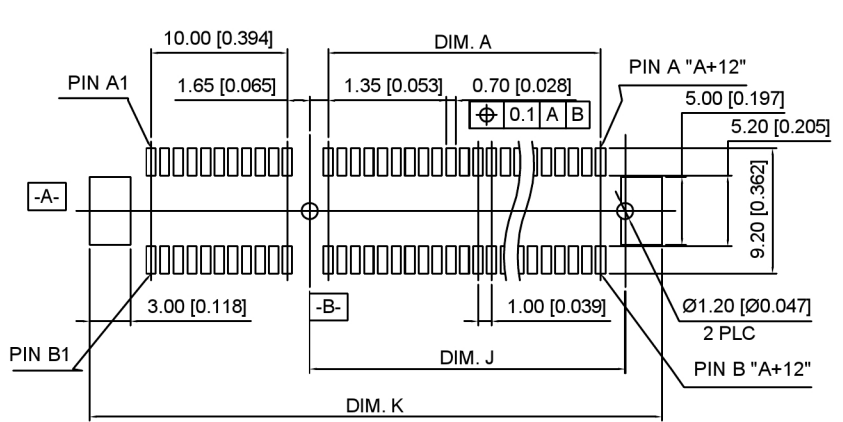
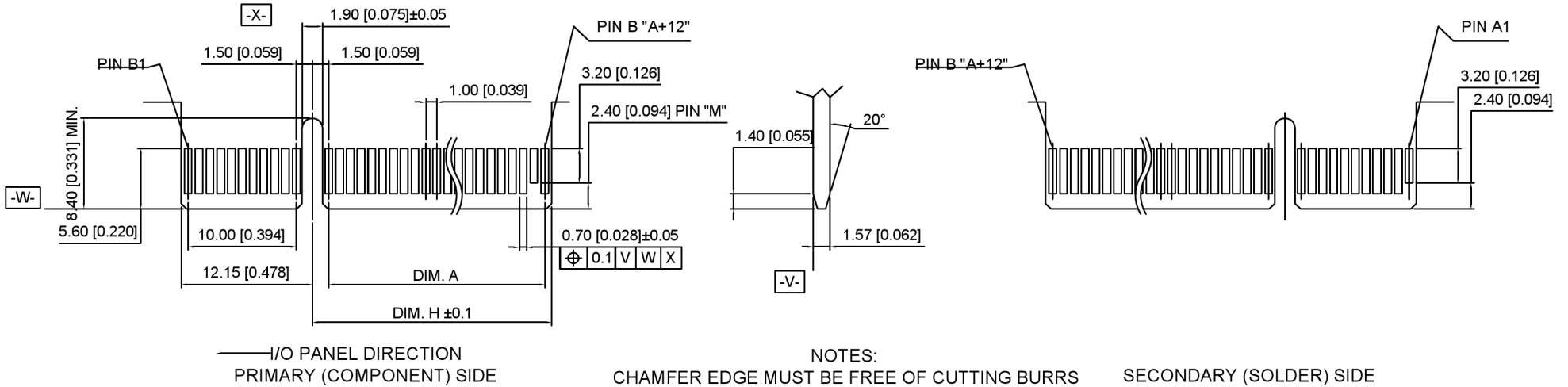
文件工程章

REVISIONS	DATE	REVISED	APPROVED	DESCRIPTION

UNSPECIFIED TOLERANCES

XKB

DSND	SCALE: N/A	MODEL TYPE:
DWN	VIEW:	PART NO.: X1611WVS-XX-9TV01
CHKD	UNIT: mm/in	DWG NO.: X-X1611WVS-XX-9TV01
APPD	SIZE: A4	
XKB INDUSTRIAL PRECISION CO., LIMITED		WEIGHT
		SHEET
		REVISION
		1/1
		A0



POS.	DIM. A	DIM. H	DIM. J	DIM. K	"M"
36	6	8.15	9.15	28.0	B17
64	20	22.15	23.15	42.0	B31
98	37	39.15	40.15	59.0	B48
164	70	72.15	73.15	92.0	B81

广东星坤科技股份有限公司

ΔX		日期
ΔX		日期
ΔX		日期
MARK		DESCRIPTION

文件工程章

REVISIONS	DATE	REVISED	APPROVED	UNSPECIFIED TOLERANCES



XKB INDUSTRIAL PRECISION CO., LIMITED

DSND	SCALE: N/A	MODEL TYPE:
DWN	VIEW:	PART NO.: X1611WVS-XX-9TV01
CHKD	UNIT: mm/in	DWG NO.: X-X1611WVS-XX-9TV01
APPD	SIZE: A4	WEIGHT SHEET REVISION
		1/1 A0

X-ON Electronics

Largest Supplier of Electrical and Electronic Components

Click to view similar products for [XKB](#) manufacturer:

Other Similar products are found below :

[TC-1103-C-B](#) [TC-FS66D-C-A](#) [XKNANO-1307-16](#) [X9396WR-04-N0SN](#) [X9396WR-06-N0SN](#) [X0800WRS-06HF-LPV01](#) [U221-046N-4BU02-FS](#) [X3025WV-02-N0SN](#) [DC-0130-2.5A-2.0](#) [DC-0130-2.5A-2.5](#) [X6511WR-23H-C30D60-R2](#) [DF1-1365UNY-1](#) [XKB5858-Z-F-75](#) [X2011H-05A-N0](#) [X9821H-13A-N0](#) [U263-241N-4BQC13](#) [X6511WVS-12H-C60D48R2](#) [X6511WR-10H-C30D60R2](#) [X1270WVS-2x20A-6TV01](#) [TGG.0B.P04.CLAD52H](#) [ZGG.3K.P12.CLN](#) [ZGG.3K.P12.CLL](#) [ZGG.1K.P02.CLN](#) [ZEG.2K.P02.CLL](#) [ZCG.1B.P16.CLL](#) [TGG.2K.P02.CLAC50](#) [ZEG.3K.P12.CLN](#) [ZEG.2K.P12.CLN](#) [USB31-TYPE-C-FSABC](#) [X0510FVS-168AS-LPV01](#) [MHG.3K.P02.CLLC90H](#) [X6511FRS-05-C85D30](#) [X2001HA-PTAuN-A28B50-X2001HA-PTAuN-IDC](#) [X0709FT7BL1-A28G10-X9555H2-PTV01-IDC](#) [X2513WR-2x06A-LPSN](#) [PJ-3026](#) [TS-1101S-C-B-B-B](#) [SK-3390A-L1](#) [X05A20L17T](#) [TC-1102T-B](#) [X0800WRS-05HF-LPV01](#) [X1502WR-13K-N0SN](#) [U261-2422N-4B0178](#) [SS-3292S-L1-B](#) [X6511WR-04H-C30D60R2](#) [X9821WVS-16-9TSN](#) [X6511WR-03H-C30D60R2](#) [X1311FVS-05-C43D35R2](#) [X1311FR-02-C43D24](#) [X9821H-05A-N0](#)