

NOTES 备注:

1. MATERIAL 材料:
 - 1.1 HOUSING 胶壳: THERMOPLASTIC, HIGH TEMP, UL94 V-0, COLOR: BLACK.
 - 1.2 CONTACTS 端子: COPPER ALLOY.
 - 1.3 DUMMY CARD 卡: THERMOPLASTIC, HIGH TEMP, UL94 V-0, COLOR: BLACK.
2. FINISH 电镀:
 - CONTACT 端子: SELECTIVE GOLD PLATING ON THE CONTACT AREA. 100µ" MIN. MATTE-TIN PLATING ON THE SOLDER TAILS, 50µ" MIN. NICKEL UNDERPLATING OVERALL.

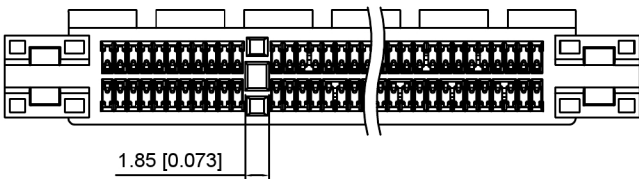
X1613 W S - XX - 9T V01

- ① ② ③ ④ ⑤ ⑥

- ① Series Number
- ② Terminal form: W-Wafer
- ③ Welding Board Angle : Straddle
- ④ No. of Pins: 36~164 Pin
- ⑤ Plastic material: PA9T /PA46 UL94V-0
- ⑥ Contact Plating: V01-Gold Flash
V15-Gold 15u"
V30-Gold 30u"

| PCB Thickness "DIM. K" | DIM. M | |
|------------------------|--------|------|
| 0 | 2.08 | 2.55 |
| 1 | 2.30 | 2.55 |
| 2 | 1.80 | 2.55 |
| 4 | 1.57 | 1.70 |

| POSITION | DIMENSIONS | | | | |
|----------|------------|---------------------------------------|---------|---------|---------|
| | A ±0.20 | B ^{+0.20} / _{-0.08} | C ±0.20 | D ±0.25 | E ±0.35 |
| 36 | 6 | 7.65 | 12.3 | 25 | 34.8 |
| 64 | 20 | 21.65 | 26.3 | 39 | 48.8 |
| 98 | 37 | 38.65 | 43.3 | 56 | 65.8 |
| 164 | 70 | 71.65 | 76.3 | 89 | 98.8 |



广东星坤科技股份有限公司

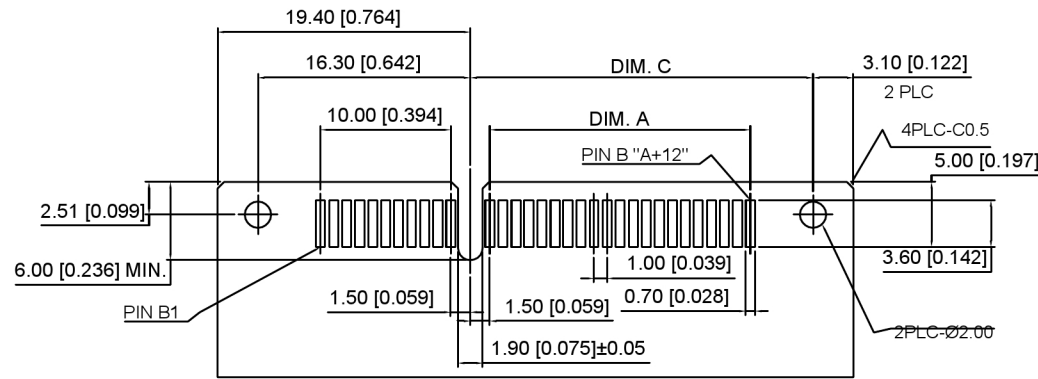
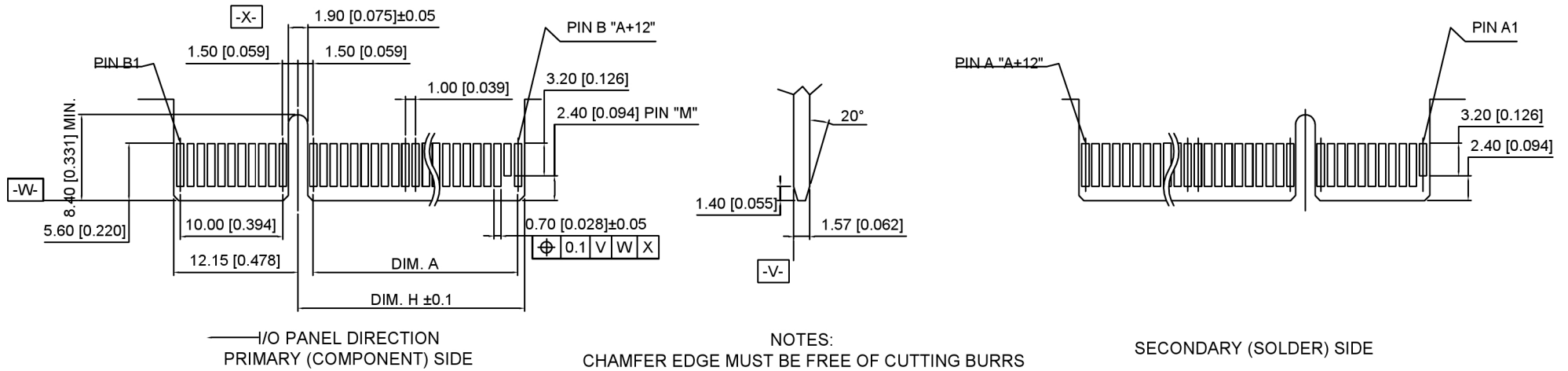
| | |
|------|-------------|
| Δ X | 日期 |
| Δ X | 日期 |
| Δ X | 日期 |
| MARK | DESCRIPTION |

文件工程章

| REVISIONS | DATE | REVISED | APPROVED | UNSPECIFIED TOLERANCES |
|-------------|------|---------|----------|------------------------|
| ANGULAR | | | | ±5° |
| L ≤ 4 | | | | ±0.2 |
| 4 < L ≤ 16 | | | | ±0.3 |
| 16 < L ≤ 63 | | | | ±0.4 |
| L > 63 | | | | ±0.5 |



| | | |
|---------------------------------------|-------------|-----------------------------|
| DSND | SCALE: N/A | MODEL TYPE: |
| DWN | VIEW: | PART NO.: X1613WS-XX-9TV01 |
| CHKD | UNIT: mm/in | DWG NO.: X-X1613WS-XX-9TV01 |
| APPD | SIZE: A4 | WEIGHT |
| XKB INDUSTRIAL PRECISION CO., LIMITED | | SHEET 1/1 |
| | | REVISION A0 |



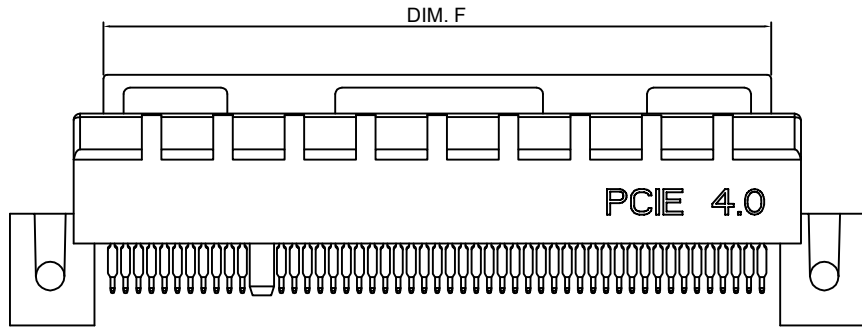
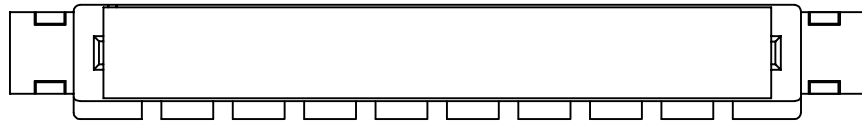
| POS. | DIM. A | DIM. C | DIM. H | "M" |
|------|--------|--------|--------|-----|
| 36 | 6 | 12.3 | 8.15 | B17 |
| 64 | 20 | 26.3 | 22.15 | B31 |
| 98 | 37 | 43.3 | 39.15 | B48 |
| 164 | 70 | 76.3 | 72.15 | B81 |

广东星坤科技股份有限公司

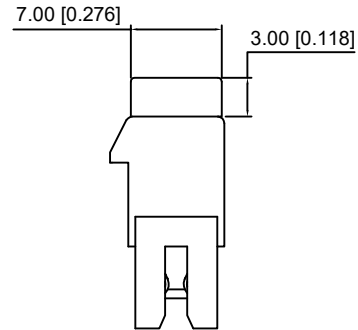
文件工程章

| MARK | DESCRIPTION | DATE | REVISED | APPROVED | UNSPECIFIED TOLERANCES |
|------|-------------|------|---------|----------|------------------------|
| ΔX | | | | | ANGULAR ±5° |
| ΔX | | | | | L ≤ 4 ±0.2 |
| ΔX | | | | | 4 < L ≤ 16 ±0.3 |
| | | | | | 16 < L ≤ 63 ±0.4 |
| | | | | | L > 63 ±0.5 |

| | | | |
|---------------------------------------|--|-------------|-----------------------------|
| DSND | | SCALE: N/A | MODEL TYPE: |
| DWN | | VIEW: | PART NO.: X1613WS-XX-9TV01 |
| CHKD | | UNIT: mm/in | DWG NO.: X-X1613WS-XX-9TV01 |
| APPD | | SIZE: A4 | WEIGHT SHEET REVISION |
| XKB INDUSTRIAL PRECISION CO., LIMITED | | | 1/1 A0 |



WITH Dummy Card



| DIMENSIONS | |
|------------|--------|
| POSITION | DIM. F |
| 36 | 20.4 |
| 64 | 34.4 |
| 98 | 51.4 |
| 164 | 84.4 |

| | | | | | | | | | | | | | |
|------|-------------|------|---------|----------|---|------|--|------|--|-------------|-------------|--------------------|----------|
| | | | | | ANGULAR | ±5° | XKB | DSND | | SCALE: N/A | MODEL TYPE: | | |
| ΔX | | | | | L ≤ 4 | ±0.2 | | DWN | | VIEW: | PART NO.: | X1613WS-XX-9TV01 | |
| ΔX | | | | | 4 < L ≤ 16 | ±0.3 | | CHKD | | UNIT: mm/in | DWG NO.: | X-X1613WS-XX-9TV01 | |
| ΔX | | | | | 16 < L ≤ 63 | ±0.4 | | APPD | | SIZE: A4 | | | |
| MARK | DESCRIPTION | DATE | REVISED | APPROVED | L > 63 | ±0.5 | | | | | WEIGHT | SHEET | REVISION |
| | | | | | UNSPECIFIED TOLERANCES | | XKB INDUSTRIAL PRECISION CO., LIMITED | | | | 1/1 | A0 | |
| | | | | | www.helloxkb.com www.helloxkb.cn www.xk-dg.cn | | | | | | | | |

X-ON Electronics

Largest Supplier of Electrical and Electronic Components

Click to view similar products for [XKB](#) manufacturer:

Other Similar products are found below :

[TC-1103-C-B](#) [TC-FS66D-C-A](#) [XKNANO-1307-16](#) [X9396WR-04-N0SN](#) [X9396WR-06-N0SN](#) [X0800WRS-06HF-LPV01](#) [U221-046N-4BU02-FS](#) [X3025WV-02-N0SN](#) [DC-0130-2.5A-2.0](#) [DC-0130-2.5A-2.5](#) [X6511WR-23H-C30D60-R2](#) [DF1-1365UNY-1](#) [XKB5858-Z-F-75](#) [X2011H-05A-N0](#) [X9821H-13A-N0](#) [U263-241N-4BQC13](#) [X6511WVS-12H-C60D48R2](#) [X6511WR-10H-C30D60R2](#) [X1270WVS-2x20A-6TV01](#) [TGG.0B.P04.CLAD52H](#) [ZGG.3K.P12.CLN](#) [ZGG.3K.P12.CLL](#) [ZGG.1K.P02.CLN](#) [ZEG.2K.P02.CLL](#) [ZCG.1B.P16.CLL](#) [TGG.2K.P02.CLAC50](#) [ZEG.3K.P12.CLN](#) [ZEG.2K.P12.CLN](#) [USB31-TYPE-C-FSABC](#) [X0510FVS-168AS-LPV01](#) [MHG.3K.P02.CLLC90H](#) [X6511FRS-05-C85D30](#) [X2001HA-PTAuN-A28B50-X2001HA-PTAuN-IDC](#) [X0709FT7BL1-A28G10-X9555H2-PTV01-IDC](#) [X2513WR-2x06A-LPSN](#) [PJ-3026](#) [TS-1101S-C-B-B-B](#) [SK-3390A-L1](#) [X05A20L17T](#) [TC-1102T-B](#) [X0800WRS-05HF-LPV01](#) [X1502WR-13K-N0SN](#) [U261-2422N-4B0178](#) [SS-3292S-L1-B](#) [X6511WR-04H-C30D60R2](#) [X9821WVS-16-9TSN](#) [X6511WR-03H-C30D60R2](#) [X1311FVS-05-C43D35R2](#) [X1311FR-02-C43D24](#) [X9821H-05A-N0](#)