

NOTES 备注:

1. MATERIAL 材料:

- 1.1 HOUSING 胶壳: THERMOPLASTIC, HIGH TEMP, UL94V-0, COLOR: BLACK.
- 1.2 CONTACTS 端子: COPPER ALLOY.
- 1.3 HOLD DOWN 压端: COPPER ALLOY.
- 1.4 CAP 盖: THERMOPLASTIC, HIGH TEMP, UL94V-0, COLOR: BLACK.

2. FINISH 电镀:

2.1 CONTACT 端子:

SELECTIVE GOLD PLATING ON THE CONTACT AREA.
100µ" MIN. MATTE-TIN PLATING ON THE SOLDER TAILS,
50µ" MIN. NICKEL UNDERPLATING OVERALL.

2.2 HOLD DOWN 压端:

100µ" MIN. MATTE-TIN PLATING WITH 50µ" MIN.
NICKEL UNDERPLATE OVERALL.

X1618 W V S - XX - 9T V15

- ① ② ③ ④ ⑤ ⑥ ⑦

- ① Series Number
- ② Terminal form: W-Wafer
- ③ Welding Board Angle : V-Stright Angle 180°
- ④ Welding Way:S-SMT
- ⑤ No.of Pins: 36~164 Pin
- ⑥ Plastic material: PA9T/PA46 UL94V-0
- ⑦ Contact Plating:V15-Gold 15u"
V30-Gold 30u"

DIMENSIONS				
POSITION	A ±0.20	C ±0.25	D ±0.25	E ±0.3
36	6	9.15	25	27
64	20	23.15	39	41
98	37	40.15	56	58
164	70	73.15	89	91

广东星坤科技股份有限公司
文件工程章

DATE	REVISED	APPROVED	DESCRIPTION

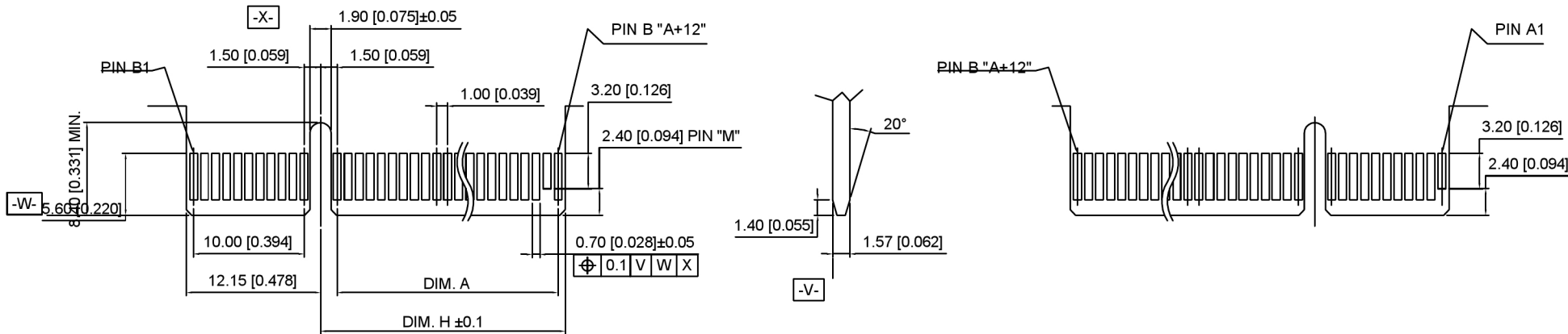
REVISIONS

UNSPECIFIED TOLERANCES

ANGLAR	±5°
L ≤ 4	±0.2
4 < L ≤ 16	±0.3
16 < L ≤ 63	±0.4
L > 63	±0.5



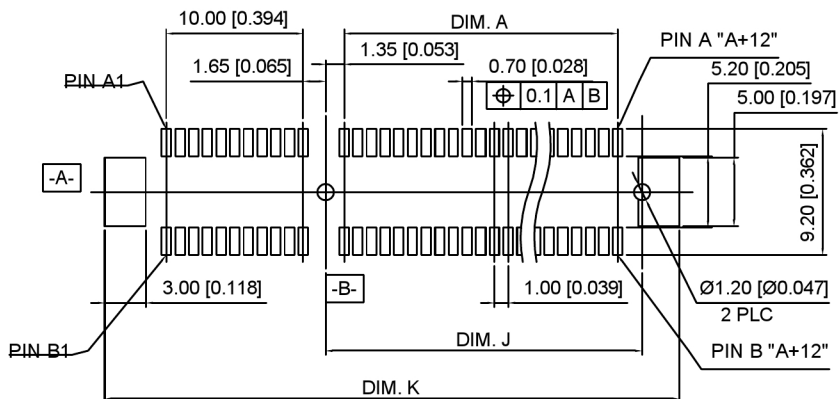
DSND	SCALE: N/A	MODEL TYPE:
DWN	VIEW:	PART NO.: X1618WVS-XX-9TV15
CHKD	UNIT: mm/in	DWG NO.: X-X1618WVS-XX-9TV15
APPD	SIZE: A4	WEIGHT
XKB INDUSTRIAL PRECISION CO., LIMITED		SHEET 1/1
		REVISION A0



I/O PANEL DIRECTION
PRIMARY (COMPONENT) SIDE

NOTES:
CHAMFER EDGE MUST BE FREE OF CUTTING BURRS

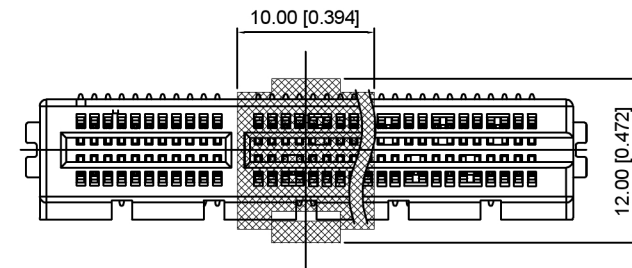
SECONDARY (SOLDER) SIDE



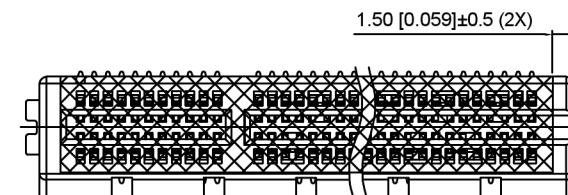
RECOMMENDED PCB LAYOUT
(COMPONENT SIDE)

TOLERANCE: ±0.05

POS.	DIM. A	DIM. H	DIM. J	DIM. K	"M"
36	6	8.15	9.15	28.0	B17
64	20	22.15	23.15	42.0	B31
98	37	39.15	40.15	59.0	B48
164	70	72.15	73.15	92.0	B81



WITH CAP



WITH MYLAR

广东星坤科技股份有限公司

ΔX	日期
ΔX	日期
ΔX	日期
MARK	DESCRIPTION

文件工程章

REVISIONS	DATE	REVISED	APPROVED	UNSPECIFIED TOLERANCES

www.hellokxb.com www.hellokxb.cn www.xk-dg.cn

ANGLAR	±5°
L ≤ 4	±0.2
4 < L ≤ 16	±0.3
16 < L ≤ 63	±0.4
L > 63	±0.5



DSND	SCALE: N/A	MODEL TYPE:
DWN	VIEW:	PART NO.: X1618WWS-XX-9TV15
CHKD	UNIT: mm/in	DWG NO.: X-X1618WWS-XX-9TV15
APPD	SIZE: A4	WEIGHT
XKB INDUSTRIAL PRECISION CO., LIMITED		SHEET
		REVISION
		1/1
		A0

X-ON Electronics

Largest Supplier of Electrical and Electronic Components

Click to view similar products for [XKB](#) manufacturer:

Other Similar products are found below :

[TC-1103-C-B](#) [TC-FS66D-C-A](#) [XKNANO-1307-16](#) [X9396WR-04-N0SN](#) [X9396WR-06-N0SN](#) [X0800WRS-06HF-LPV01](#) [U221-046N-4BU02-FS](#) [X3025WV-02-N0SN](#) [DC-0130-2.5A-2.0](#) [DC-0130-2.5A-2.5](#) [X6511WR-23H-C30D60-R2](#) [DF1-1365UNY-1](#) [XKB5858-Z-F-75](#) [X2011H-05A-N0](#) [X9821H-13A-N0](#) [U263-241N-4BQC13](#) [X6511WVS-12H-C60D48R2](#) [X6511WR-10H-C30D60R2](#) [X1270WVS-2x20A-6TV01](#) [TGG.0B.P04.CLAD52H](#) [ZGG.3K.P12.CLN](#) [ZGG.3K.P12.CLL](#) [ZGG.1K.P02.CLN](#) [ZEG.2K.P02.CLL](#) [ZCG.1B.P16.CLL](#) [TGG.2K.P02.CLAC50](#) [ZEG.3K.P12.CLN](#) [ZEG.2K.P12.CLN](#) [USB31-TYPE-C-FSABC](#) [X0510FVS-168AS-LPV01](#) [MHG.3K.P02.CLLC90H](#) [X6511FRS-05-C85D30](#) [X2001HA-PTAuN-A28B50-X2001HA-PTAuN-IDC](#) [X0709FT7BL1-A28G10-X9555H2-PTV01-IDC](#) [X2513WR-2x06A-LPSN](#) [PJ-3026](#) [TS-1101S-C-B-B-B](#) [SK-3390A-L1](#) [X05A20L17T](#) [TC-1102T-B](#) [X0800WRS-05HF-LPV01](#) [X1502WR-13K-N0SN](#) [U261-2422N-4B0178](#) [SS-3292S-L1-B](#) [X6511WR-04H-C30D60R2](#) [X9821WVS-16-9TSN](#) [X6511WR-03H-C30D60R2](#) [X1311FVS-05-C43D35R2](#) [X1311FR-02-C43D24](#) [X9821H-05A-N0](#)