

NOTES 备注:

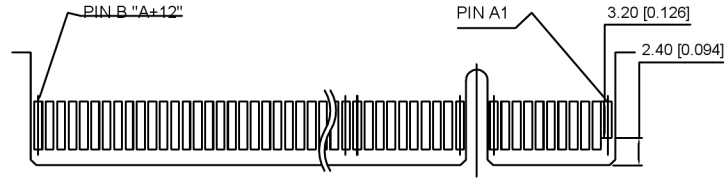
1. MATERIAL 材料:
 - 1.1 HOUSING 胶壳: THERMOPLASTIC, HIGH TEMP, UL94V-0, COLOR: BLACK.
 - 1.2 LATCH 锁存器: THERMOPLASTIC, HIGH TEMP, UL94V-0, COLOR: SEE PART NO.
 - 1.3 CONTACTS 端子: COPPER ALLOY.
 - 1.4 HOLD DOWN 压端: COPPER ALLOY.
2. FINISH 电镀:
 - 2.1 CONTACT 端子: SELECTIVE GOLD PLATING ON THE CONTACT AREA. 100u" MIN. MATTE-TIN PLATING ON THE SOLDERING AREA. 50u" MIN. NICKEL UNDER PLATING OVERALL.
 - 2.2 HOLD DOWN 压端: 100u" MIN. MATTE-TIN PLATING ON THE SOLDERING AREA. 50u" MIN. NICKEL UNDER PLATING OVERALL.

DIMENSIONS					
POSITION	A±0.20	B ^{+0.20} _{-0.08}	C±0.25	D ±0.25	E ±0.55
36	6	7.65	9.15	25	50.7
64	20	21.65	23.15	39	64.7
98	37	38.65	40.15	56	81.7
164	70	71.65	73.15	89	114.7

广东星坤科技股份有限公司
 文件工程章

REVISIONS	DATE	REVISED	APPROVED	DESCRIPTION

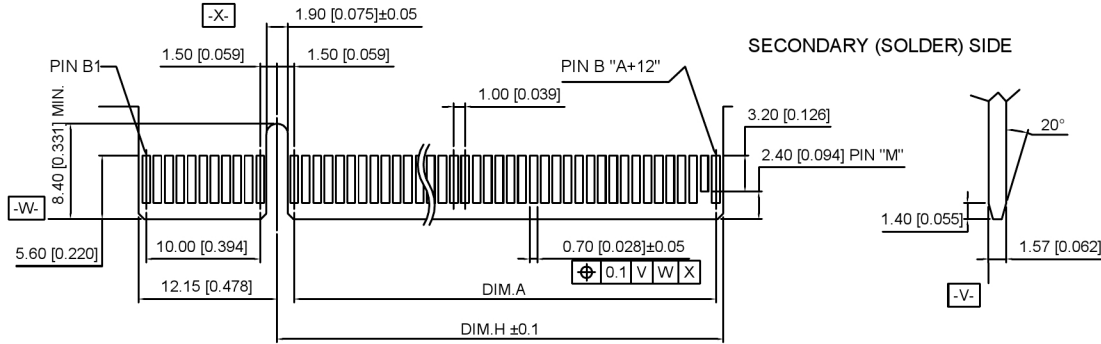
ANGLAR	±5°	XKB	DSND	SCALE: N/A	MODEL TYPE:
L ≤ 4	±0.2		DWN	VIEW:	PART NO.: X1621WVS-XX-9TV15
4 < L ≤ 16	±0.3		CHKD	UNIT: mm/in	DWG NO.: X-X1621WVS-XX-9TV15
16 < L ≤ 63	±0.4		APPD	SIZE: A4	WEIGHT
L > 63	±0.5		XKB INDUSTRIAL PRECISION CO., LIMITED		SHEET 1/1
UNSPECIFIED TOLERANCES					REVISION A0



X1621 W V S - XX - 9T V15

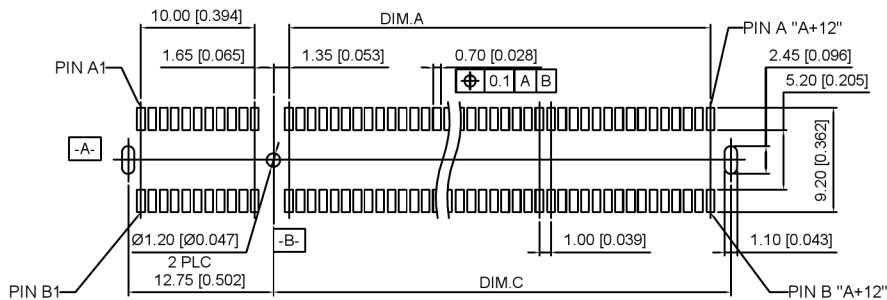
- ① ② ③ ④ ⑤ ⑥ ⑦

- ① Series Number
- ② Terminal form: W-Wafer
- ③ Welding Board Angle : V-Stright Angle 180°
- ④ Welding Way:S-SMT
- ⑤ No.of Pins: 36~164 Pin
- ⑥ Plastic material: PA9T/PA46 UL94V-0
- ⑦ Contact Plating:V15-Gold 15u"
V30-Gold 30u"

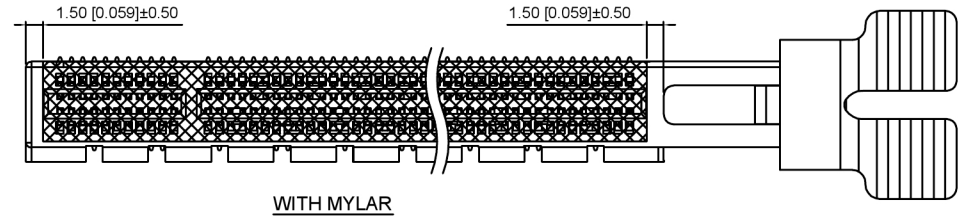


I/O PANEL DIRECTION
PRIMARY (COMPONENT) SIDE

NOTES:
CHAMFER EDGE MUST BE FREE OF CUTTING BURRS



RECOMMENDED PCB LAYOUT
(COMPONENT SIDE)
TOLERANCE: ±0.05



WITH MYLAR

POS.	DIM. A	DIM. C	DIM. H	"M"
36	6	9.15	8.15	B17
64	20	23.15	22.15	B31
98	37	40.15	39.15	B48
164	70	73.15	72.15	B81

广东星坤科技股份有限公司

Δ X		日期
Δ X		日期
Δ X		日期
MARK	DESCRIPTION	

文件工程章

REVISIONS	DATE	REVISED	APPROVED

ANGULAR	±5°
L ≤ 4	±0.2
4 < L ≤ 16	±0.3
16 < L ≤ 63	±0.4
L > 63	±0.5
UNSPECIFIED TOLERANCES	



DSND	SCALE: N/A	MODEL TYPE:
DWN	VIEW:	PART NO.: X1621WWS-XX-9TV15
CHKD	UNIT: mm/in	DWG NO.: X-X1621WWS-XX-9TV15
APPD	SIZE: A4	WEIGHT
XKB INDUSTRIAL PRECISION CO., LIMITED		SHEET
		REVISION
		1/1
		A0

X-ON Electronics

Largest Supplier of Electrical and Electronic Components

Click to view similar products for [XKB](#) manufacturer:

Other Similar products are found below :

[TC-1103-C-B](#) [TC-FS66D-C-A](#) [XKNANO-1307-16](#) [X9396WR-04-N0SN](#) [X9396WR-06-N0SN](#) [X0800WRS-06HF-LPV01](#) [U221-046N-4BU02-FS](#) [X3025WV-02-N0SN](#) [DC-0130-2.5A-2.0](#) [DC-0130-2.5A-2.5](#) [X6511WR-23H-C30D60-R2](#) [DF1-1365UNY-1](#) [XKB5858-Z-F-75](#) [X2011H-05A-N0](#) [X9821H-13A-N0](#) [U263-241N-4BQC13](#) [X6511WVS-12H-C60D48R2](#) [X6511WR-10H-C30D60R2](#) [X1270WVS-2x20A-6TV01](#) [TGG.0B.P04.CLAD52H](#) [ZGG.3K.P12.CLN](#) [ZGG.3K.P12.CLL](#) [ZGG.1K.P02.CLN](#) [ZEG.2K.P02.CLL](#) [ZCG.1B.P16.CLL](#) [TGG.2K.P02.CLAC50](#) [ZEG.3K.P12.CLN](#) [ZEG.2K.P12.CLN](#) [USB31-TYPE-C-FSABC](#) [X0510FVS-168AS-LPV01](#) [MHG.3K.P02.CLLC90H](#) [X6511FRS-05-C85D30](#) [X2001HA-PTAuN-A28B50-X2001HA-PTAuN-IDC](#) [X0709FT7BL1-A28G10-X9555H2-PTV01-IDC](#) [X2513WR-2x06A-LPSN](#) [PJ-3026](#) [TS-1101S-C-B-B-B](#) [SK-3390A-L1](#) [X05A20L17T](#) [TC-1102T-B](#) [X0800WRS-05HF-LPV01](#) [X1502WR-13K-N0SN](#) [U261-2422N-4B0178](#) [SS-3292S-L1-B](#) [X6511WR-04H-C30D60R2](#) [X9821WVS-16-9TSN](#) [X6511WR-03H-C30D60R2](#) [X1311FVS-05-C43D35R2](#) [X1311FR-02-C43D24](#) [X9821H-05A-N0](#)