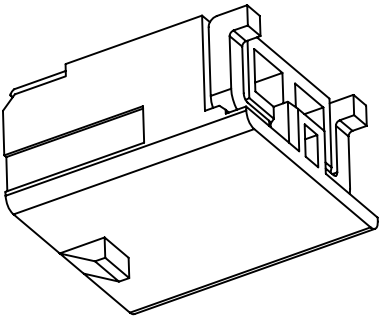
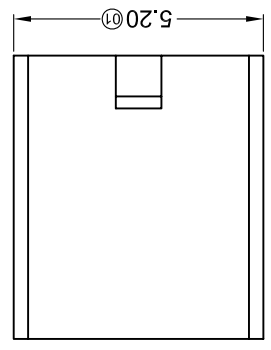
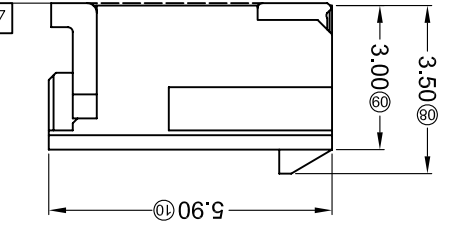
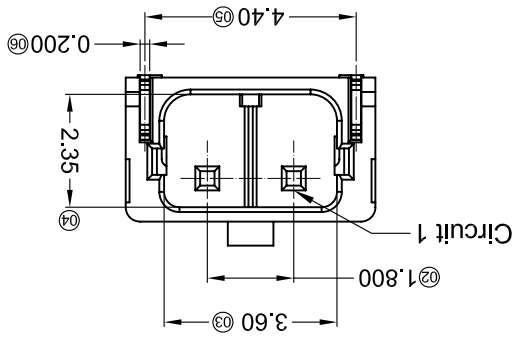
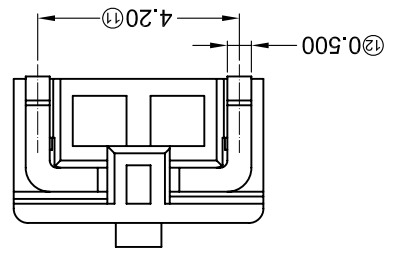
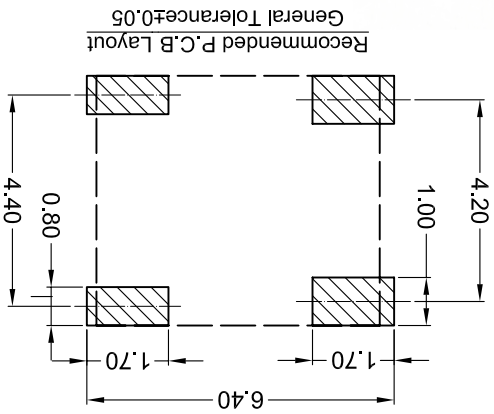


For and on behalf of
XKB INDUSTRIAL PRECISION CO., LIMITED
 香港星坤工業精密有限公司

MARK	DESCRIPTION	DATE	REVISED	APPROVED	UNSPECIFIED TOLERANCES
△ X					$L > 63$ ± 0.5
△ X					$16 > L \leq 63$ ± 0.4
△ X					$4 < L \leq 16$ ± 0.3
△ X					$L \leq 4$ ± 0.2
					ANGULAR $\pm 5^\circ$

REVISIONS	XKB INDUSTRIAL PRECISION CO., LIMITED	
APPROVED	DATE	APPD
REVISED	DATE	CHKD
DATE	DATE	DWN
DATE	DATE	DSND
	SCALE: N/A	
	MODEL TYPE: X1800WRS-02B-LPSN	
	PART NO.: X1800WRS-02B-LPSN	
	VIEW:	
	UNIT: mm	
	SIZE: A4	
	DWG NO.:	
	1.80mm Crimp Style Connectors	
	WEIGHT: 1.0g	
	SHEET: 1/1	
	REVISION: A0	

PART NO	Material	(Pin&Solder tab)	Finish(Fin)	Suitable XKB Terminal
X1800WRS-02B-LPSN	LCP UL 94V-0	Brass	Matte Tin	X1800H-B



- ① Series No.
- ② Category: W-WAFER
- ③ Welding Board Angle: R-Right Angle 90°
- ④ Welding Way: S-SMT
- ⑤ Row No.-Pin No.: 02-02P
- ⑥ Plug the Pin & Special No.: A-With Lock
- ⑦ Material: LP-LCP 94V-0
- ⑧ Plating Category: SN-Bright tin plating

X1800 W R S-02 B - LP SN

- Specifications :**
- Voltage rating: 350V AC / DC
 - Current rating: 3.2A AC / DC
 - Withstanding voltage: 1700V AC/minute
 - Temperature range: -25°C~+85°C
 - Insulation resistance: $\geq 1000M\Omega$
 - Contact resistance: $\leq 10m\Omega$
 - After environmental testing: $\leq 20m\Omega$

X-ON Electronics

Largest Supplier of Electrical and Electronic Components

Click to view similar products for [Headers & Wire Housings](#) category:

Click to view products by [XKB](#) manufacturer:

Other Similar products are found below :

[95000-104TRLF](#) [10135584-644402LF](#) [DF62W-EP2022PCA](#) [95000-106TRLF](#) [DF62W-2022SCA](#) [DF62W-EP2022PC](#) [2203348](#) [DF62W-2022SC](#) [1084018](#) [1029039](#) [1084017](#) [802-10-012-10-002000](#) [1112640](#) [1112639](#) [891-007-9SS-BST1T](#) [000-34000](#) [0008550134](#) [0009482033](#) [0009507031](#) [57102-F02-18ULF](#) [57102-S06-03LF](#) [57202-S52-04LF](#) [PCN6-15S-2.5E](#) [0039019024](#) [58102-G61-06LF](#) [582553-1](#) [0009485154](#) [0009508121](#) [0022285053](#) [0050291907](#) [018731A](#) [LY20-4P-DT1-P1E-BR](#) [02.125.8002.8](#) [60101931](#) [60598-1 \(Cut Strip\)](#) [M1625-3R/100](#) [61062-3](#) [61082-181009](#) [CSU011177004](#) [636-1427](#) [638009-1](#) [641938-9](#) [641991-4](#) [644168-1](#) [644827-2](#) [647662-1](#) [65039-019ELF](#) [65692-001LF](#) [65781-018](#) [65781-047](#)