

For and on behalf of
XKB INDUSTRIAL PRECISION CO., LIMITED
 香港星坤工業精密有限公司

| MARK | DESCRIPTION | DATE | REVISED | APPROVED | UNSPECIFIED TOLERANCES |
|------|-------------|------|---------|----------|-------------------------------|
| △ X | | | | | $L > 63$ ± 0.5 |
| △ X | | | | | $16 < L \leq 63$ ± 0.4 |
| △ X | | | | | $4 < L \leq 16$ ± 0.3 |
| △ X | | | | | $L \leq 4$ ± 0.2 |
| | | | | | ANGULAR $\pm 5^\circ$ |

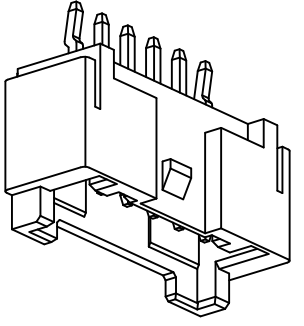
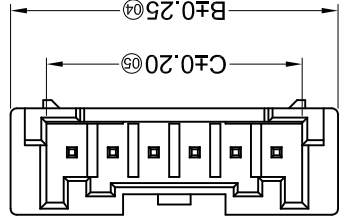
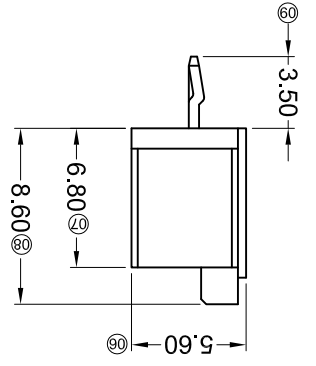
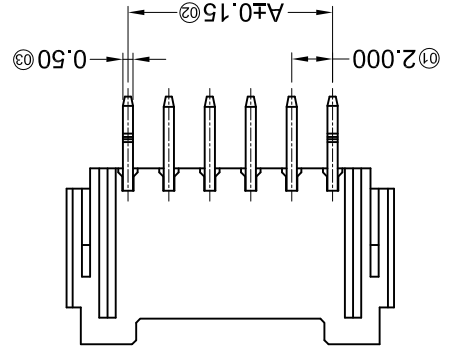
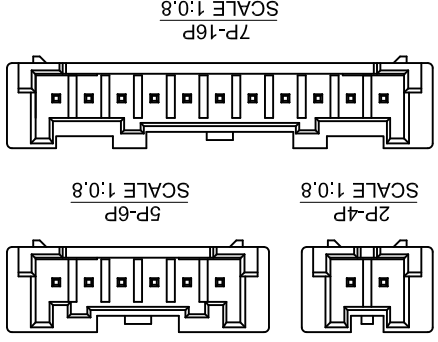
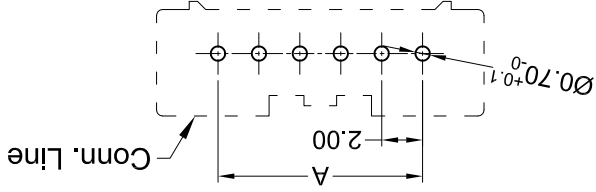
REVISIONS
 Authorized Signatures(s)

| REVISION | SHEET | WEIGHT | DATE | DATE | DATE | DATE |
|----------|-------|--------|------|------|------|------|
| A0 | 1/1 | 1.0g | | | | |

| | | | | |
|------|------------------------------|-----------|------------------------------|----------|
| DSND | SCALE: N/A | VIEW: | UNIT: mm | SIZE: A4 |
| DWN | MODEL TYPE: X2000WV-XX-9T-SN | PART NO.: | 2.00mm Crimp Style Connector | DWG NO.: |
| CHKD | | | | |
| APPD | | | | |

| PART NO | Material | Material(Pin) | Finish(Pin) | Suitable XKB Terminal |
|------------------|---------------|---------------|-------------|-----------------------|
| X2000WV-XX-9T-SN | PA9T UL 94V-0 | Brass | Tin-Plated | X2000H |

Recommended P.C.B Layout
 General Tolerance ± 0.05



| Poles | Dimensions (mm) | | |
|-------|-----------------|-------|-------|
| | A | B | C |
| 02 | 2.00 | 8.00 | 4.50 |
| 03 | 4.00 | 10.00 | 6.50 |
| 04 | 6.00 | 12.00 | 8.50 |
| 05 | 8.00 | 14.00 | 10.50 |
| 06 | 10.00 | 16.00 | 12.50 |
| 07 | 12.00 | 18.00 | 14.50 |
| 08 | 14.00 | 20.00 | 16.50 |
| 09 | 16.00 | 22.00 | 18.50 |

- ① Series No.
- ② Category: W-WAFER
- ③ Welding Board Angle: V-Stright 180°;
- ④ Welding Way: Blank-DIP
- ⑤ Row No.-Pin No.: XX-02P~16P
- ⑥ Plug the Pin & Special No.: With kink
- ⑦ Material: 9T -PA9T 94V-0
- ⑧ Plating Category: SN-Bright Tin Plating
- ⑨ Color: Blank-Natural Color

X2000 W V X-XX X -9T SN XX
 ① ② ③ ④ ⑤ ⑥ ⑦ ⑧ ⑨

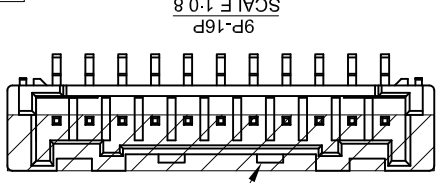
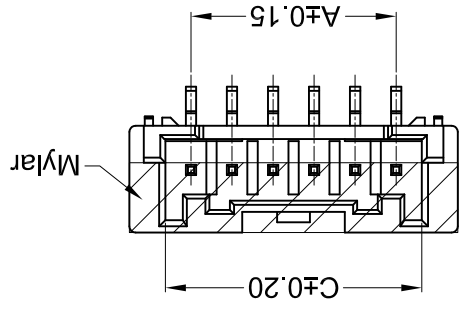
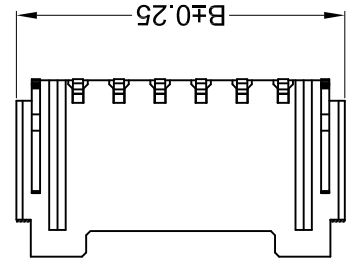
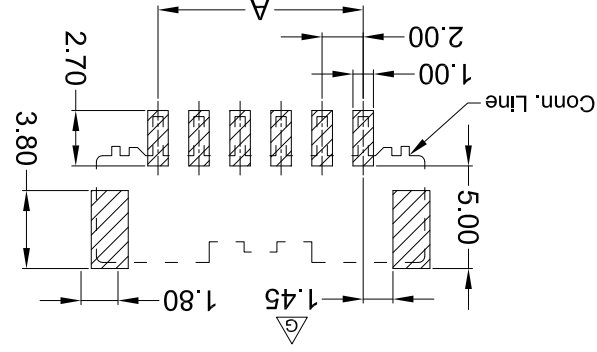
- Specifications :
- Voltage rating: 250V AC / DC
- Current rating: 3A AC / DC
- Withstanding voltage: 800V AC/minute
- Temperature range: -25°C~+85°C
- Insulation resistance: $\geq 1000M\Omega$
- Contact resistance: $\leq 10m\Omega$
- After environmental testing: $\leq 20m\Omega$

For and on behalf of
XKB INDUSTRIAL PRECISION CO., LIMITED
 香港星坤工業精密有限公司
 REVISIONS
 Authorized Signatures(s)

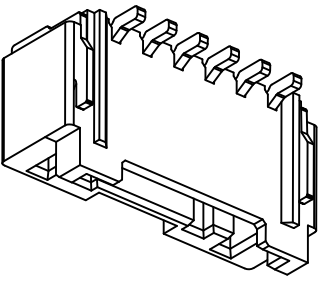
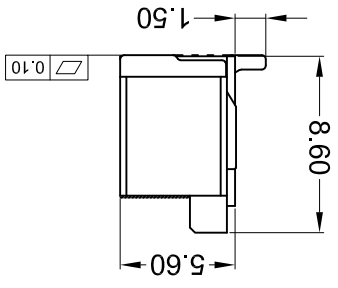
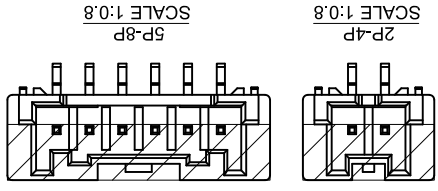
| MARK | DESCRIPTION | DATE | REVISED | APPROVED | UNSPECIFIED TOLERANCES |
|------|-------------|------|---------|----------|------------------------|
| △ X | | | | | L > 63 |
| △ X | | | | | 16 < L ≤ 63 |
| △ X | | | | | 4 < L ≤ 16 |
| △ X | | | | | L ≤ 4 |
| | | | | | ANGULAR |
| | | | | | ± 5° |

| DSND | DATE | SCALE: N/A | MODEL TYPE: X2000W/S-XX-9TXX |
|------|---|----------------------------|------------------------------|
| APPD | DATE <td>SIZE: A4 <td></td> </td> | SIZE: A4 <td></td> | |
| CHKD | DATE <td>UNIT: mm <td>DWG NO.:</td> </td> | UNIT: mm <td>DWG NO.:</td> | DWG NO.: |
| DWN | DATE <td>VIEW: </td> <td>PART NO.:</td> | VIEW: | PART NO.: |
| | | | 2.00mm Crimp Style Connector |
| | | | WEIGHT 1.0g |
| | | | SHEET 1/1 |
| | | | REVISION A0 |

Recommended P.C.B Layout
 General Tolerance±0.05



02P~09P With Single salient point
 10P~16P With Double salient point



| PART NO | Material | Material (Ptn) | Finish(Ptn) | Material (Solder Tabs) | Finish (Solder Tabs) | Mates With Housing | Dimensions (mm) | | |
|------------------|---------------|----------------|-------------|------------------------|----------------------|--------------------|-----------------|-------|-------|
| | | | | | | | A | B | C |
| X2000W/S-XX-9T9T | PA9T UL 94V-0 | Brass | Matte Tn | Brass | Tin Plating | X2000H | 2.00 | 8.00 | 4.50 |
| X2000W/S-XX-9T8T | PA9T UL 94V-0 | Brass | Tin Plating | Brass | Tin Plating | | 2.00 | 8.00 | 4.50 |
| 09 | 16.00 | 22.00 | 18.50 | 16.00 | 16 | | 16.00 | 22.00 | 18.50 |
| 08 | 14.00 | 20.00 | 16.50 | 14.00 | 15 | | 14.00 | 20.00 | 16.50 |
| 07 | 12.00 | 18.00 | 14.50 | 12.00 | 14 | | 12.00 | 18.00 | 14.50 |
| 06 | 10.00 | 16.00 | 12.50 | 10.00 | 13 | | 10.00 | 16.00 | 12.50 |
| 05 | 8.00 | 14.00 | 10.50 | 8.00 | 12 | | 8.00 | 14.00 | 10.50 |
| 04 | 6.00 | 12.00 | 8.50 | 6.00 | 11 | | 6.00 | 12.00 | 8.50 |
| 03 | 4.00 | 10.00 | 6.50 | 4.00 | 10 | | 4.00 | 10.00 | 6.50 |
| 02 | 2.00 | 8.00 | 4.50 | 2.00 | 9 | | 2.00 | 8.00 | 4.50 |
| 01 | 2.00 | 24.00 | 20.50 | 2.00 | 20 | | 2.00 | 24.00 | 20.50 |

- ① Series No.
- ② Category: W-WAFER
- ③ Welding Board Angle: V-Stright 180°
- ④ Welding Way: S-SMT
- ⑤ Row No.-Pin No.: XX-02P~16P
- ⑥ Plug the Pin & Special No.
- ⑦ Material: 9T -PA9T 94V-0
- ⑧ Plating Category: SN-Bright Tin ; SW-Matte Tin
- ⑨ Color : Blank-Natural Color

X2000 W V S-XX X -9T XX XX
 ① ② ③ ④ ⑤ ⑥ ⑦ ⑧ ⑨

- Specifications :**
- Voltage rating: 250V AC / DC
 - Current rating: 3A AC / DC
 - Withstanding voltage: 800V AC/minute
 - Temperature range: -25°C~+85°C
 - Insulation resistance: ≥1000MΩ
 - Contact resistance: ≤10mΩ
 - After environmental testing: ≤20mΩ

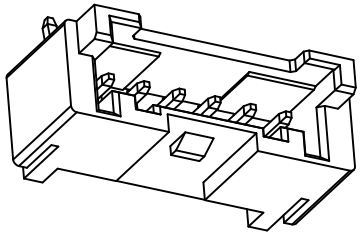
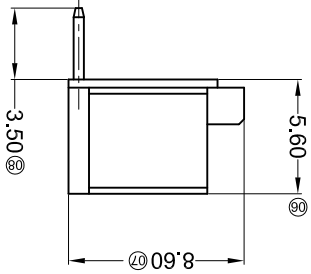
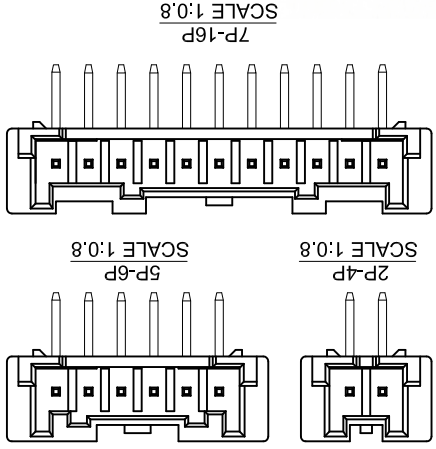
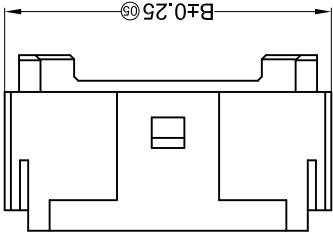
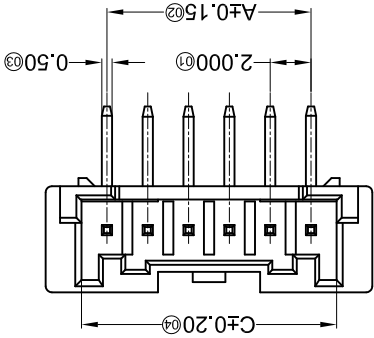
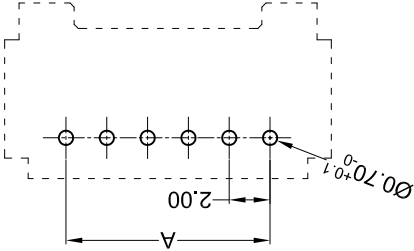
For and on behalf of
XKB INDUSTRIAL PRECISION CO., LIMITED
 香港星坤工業精密有限公司

REVISIONS
 Authorized Signatures(s)

| MARK | DESCRIPTION | DATE | REVISED | APPROVED | UNSPECIFIED TOLERANCES |
|------|-------------|------|---------|----------|------------------------|
| △ X | | | | | ±0.5 |
| △ X | | | | | 16 > L ≤ 63 |
| △ X | | | | | 4 < L ≤ 16 |
| △ X | | | | | L ≤ 4 |
| | | | | | ANGULAR ±5° |

| REVISION | SHEET | WEIGHT | XKB INDUSTRIAL PRECISION CO., LIMITED | | | |
|----------|-------|--------|---------------------------------------|------|------|------|
| A0 | 1/1 | 1.0g | | | | |
| | | | SIZE: A4 | DATE | DATE | DATE |
| | | | UNIT: mm | DATE | DATE | DATE |
| | | | VIEW: | DATE | DATE | DATE |
| | | | SCALE: N/A | DATE | DATE | DATE |
| | | | MODEL TYPE: X2000WR-XXA-9T-SN | | | |
| | | | PART NO.: | | | |
| | | | DWG NO.: | | | |
| | | | 2.00mm Crimp Style Connector | | | |

Recommended P.C.B Layout
 General Tolerance ±0.05



| PART NO | Material | Material(Pin) | Finish(Pin) | Suitable XKB Terminal |
|-------------------|---------------|---------------|-------------|-----------------------|
| X2000WR-XXA-9T-SN | PA9T UL 94V-0 | Brass | Tin-Plated | X2000H |

| Poles | Dimensions (mm) | | |
|-------|-----------------|-------|-------|
| | A | B | C |
| 02 | 2.00 | 8.00 | 4.50 |
| 03 | 4.00 | 10.00 | 6.50 |
| 04 | 6.00 | 12.00 | 8.50 |
| 05 | 8.00 | 14.00 | 10.50 |
| 06 | 10.00 | 16.00 | 12.50 |
| 07 | 12.00 | 18.00 | 14.50 |
| 08 | 14.00 | 20.00 | 16.50 |
| 09 | 16.00 | 22.00 | 18.50 |

- ① Series No. X2000 WR X-XX A-9T SN XX
 ② Category: W-WAFER
 ③ Welding Board Angle: R-Right Angle 90°
 ④ Welding Way: Blank-DIP
 ⑤ Row No.-Pin No.: XX-02P~16P
 ⑥ Plug the Pin & Special No.: A-Without kink
 ⑦ Material: 9T -PA9T 94V-0
 ⑧ Plating Category: SN-Bright Tin Plating
 ⑨ Color: Blank-Natural Color

- Specifications :
- Voltage rating: 250V AC / DC
 - Current rating: 3A AC / DC
 - Withstanding voltage: 800V AC/minute
 - Temperature range: -25°C~+85°C
 - Insulation resistance: ≥100MΩ
 - Contact resistance: ≤10mΩ
 - After environmental testing: ≤20mΩ

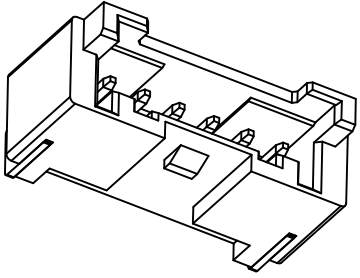
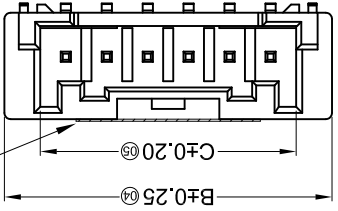
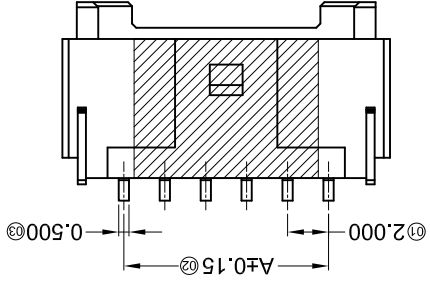
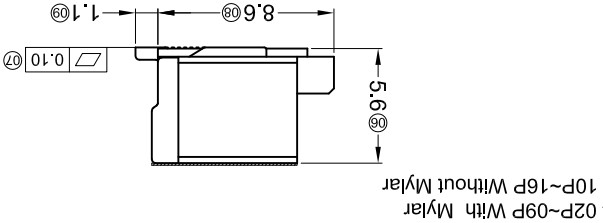
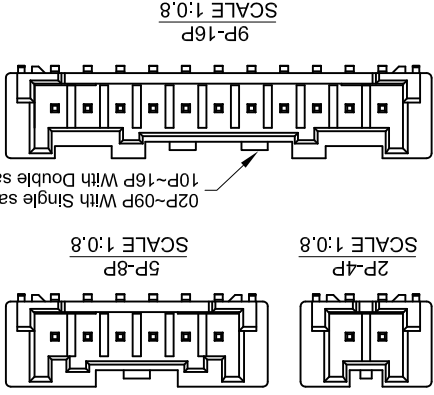
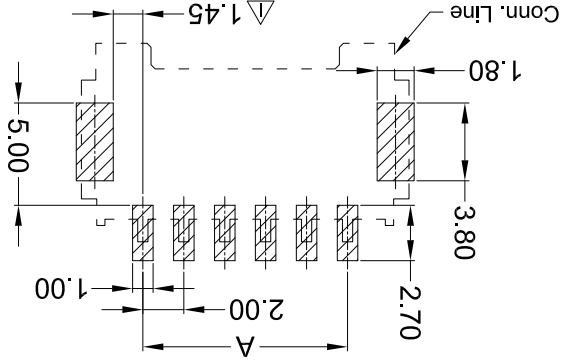
For and on behalf of
KXB INDUSTRIAL PRECISION CO., LIMITED
 香港星坤工業精密有限公司

Revisions (Authorized Signatures)

| MARK | DESCRIPTION | DATE | REVISED | APPROVED | UNSPECIFIED TOLERANCES |
|------|-------------|------|---------|----------|-------------------------------|
| △ X | | | | | $L > 63$ ± 0.5 |
| △ X | | | | | $16 > L \leq 63$ ± 0.4 |
| △ X | | | | | $4 < L \leq 16$ ± 0.3 |
| △ X | | | | | $L \leq 4$ ± 0.2 |
| | | | | | ANGULAR $\pm 5^\circ$ |

| REVISION | SHEET | WEIGHT | 1/1 | 1.0g | 8 |
|--|-------|------------|----------|------------------------------|---|
| KXB INDUSTRIAL PRECISION CO., LIMITED | | | | | 7 |
| APPD | DATE | SCALE: A4 | SIZE: A4 | | |
| CHKD | DATE | UNIT: mm | | | |
| DWN | DATE | VIEW: | | | |
| DSND | DATE | SCALE: N/A | | | |
| MODEL TYPE: 2000WRS-XX-9TXX | | PART NO.: | | 2.00mm Crimp Style Connector | |
| DWG NO.: | | DMG NO.: | | | |
| REVISION | | AO | | | |

Recommended P.C.B Layout
 General Tolerance ± 0.05



| Poles | Dimensions (mm) | | Poles | Dimensions (mm) | | | |
|-------|-----------------|-------|-------|-----------------|-------|-------|-------|
| | A | B | | C | A | | |
| 02 | 2.00 | 8.00 | 4.50 | 10 | 18.00 | 24.00 | 20.50 |
| 03 | 4.00 | 10.00 | 6.50 | 11 | 20.00 | 26.00 | 22.50 |
| 04 | 6.00 | 12.00 | 8.50 | 12 | 22.00 | 28.00 | 24.50 |
| 05 | 8.00 | 14.00 | 10.50 | 13 | 24.00 | 30.00 | 26.50 |
| 06 | 10.00 | 16.00 | 12.50 | 14 | 26.00 | 32.00 | 28.50 |
| 07 | 12.00 | 18.00 | 14.50 | 15 | 28.00 | 34.00 | 30.50 |
| 08 | 14.00 | 20.00 | 16.50 | 16 | 30.00 | 36.00 | 32.50 |
| 09 | 16.00 | 22.00 | 18.50 | | | | |

- ① Series No. X2000 W R S-XX X -9T XX XX
- ② Category: W-WAFER
- ③ Welding Board Angle: R-Right Angle 90°
- ④ Welding Way: S-SMT
- ⑤ Row No.-Pin No.: XX-02P~16P
- ⑥ Plug the Pin & Special No.
- ⑦ Material: 9T -PA9T 94V-0
- ⑧ Plating Category: SN-Bright Tin Plating; SW-Matte Tin
- ⑨ Color: Blank-Natural Color

- Specifications:
- Voltage rating: 250V AC / DC
 - Current rating: 3A AC / DC
 - Withstanding voltage: 800V AC/minute
 - Temperature range: -25°C~+85°C
 - Insulation resistance: $\geq 1000M\Omega$
 - Contact resistance: $\leq 10m\Omega$
 - After environmental testing: $\leq 20m\Omega$

A B C D E F

8 7 6 5 4 3 2 1

For and on behalf of
XKB INDUSTRIAL PRECISION CO., LIMITED
香港星坤工業精密有限公司

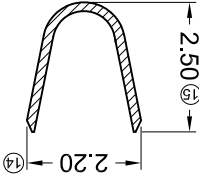
| MARK | DESCRIPTION | DATE | REVISD | APPROVED | UNSPECIFIED TOLERANCES |
|------|-------------|------|--------|----------|------------------------|
| △ X | | | | | ± 0.5 |
| △ X | | | | | $16 > L \leq 63$ |
| △ X | | | | | $4 < L \leq 16$ |
| △ X | | | | | $L \leq 4$ |
| | | | | | ANGULAR |

| REVISION | SHEET | WEIGHT | DATE | DATE | DATE | DATE |
|----------|-------|--------|------|------|------|------|
| A0 | 1/1 | 1.0g | | | | |

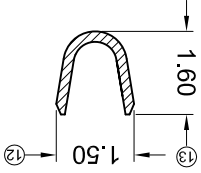
| | | | |
|-------------------------------|------------|------|------|
| MODEL TYPE: X2000T-PXX | SCALE: N/A | DATE | DNSD |
| PART NO.: | VIEW: | DATE | DWN |
| DWG NO.: | UNIT: mm | DATE | CHKD |
| 2.00mm Crimp Style Connectors | SIZE: A4 | DATE | APPD |

| PART NO | Material | Wire Range | Insulation O.D. | Finish | Suitable XKB Terminal |
|-------------|-----------------|------------|-----------------|--|-----------------------|
| X2000T-PG03 | Phosphor Bronze | AWG#22-28 | 1.50mm(Max) | Stamping Before Plating:30u" Ni;Contact Gold:3u" | X2000H |
| X2000T-PSNB | | | | Plating Before Stamping:10u" Ni;40u" Sn | |
| X2000T-PSN | | | | Stamping Before Plating:30u" Ni;70u" Sn | |

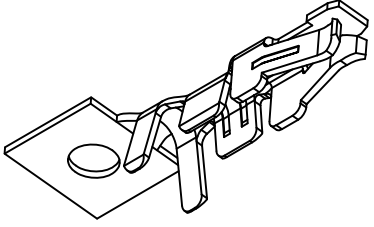
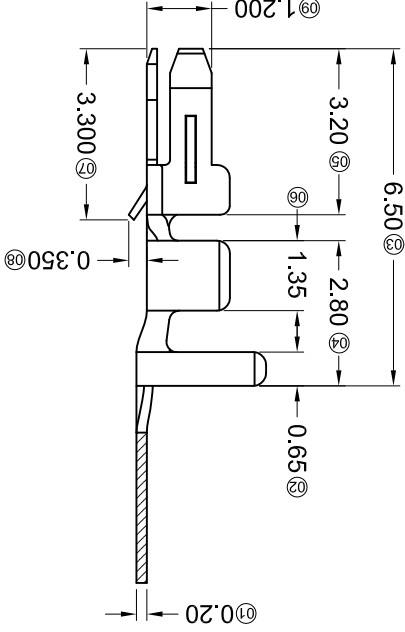
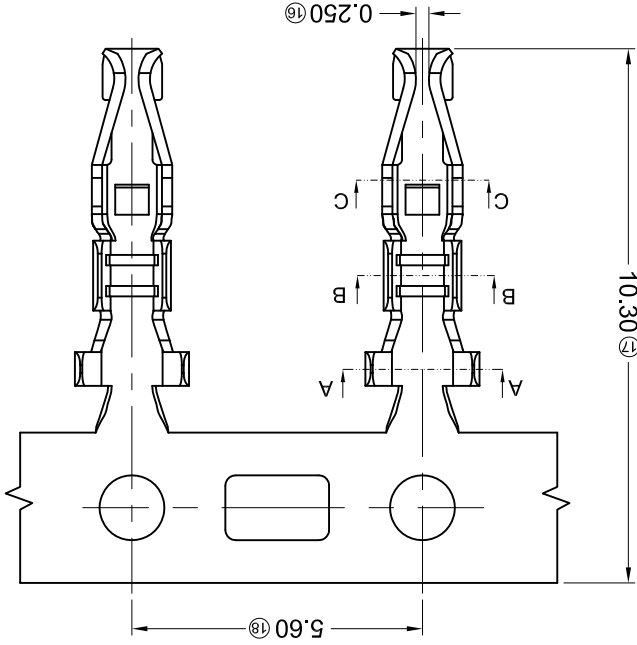
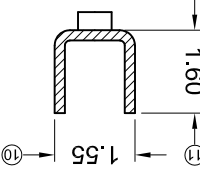
SECTION: A-A
SCALE: 1:1



SECTION: B-B
SCALE: 1:1



SECTION: C-C
SCALE: 1:1



■ Specifications :

- Voltage rating: 250V AC / DC
- Current rating: 3A AC / DC
- Withstanding voltage: 800V AC/minute
- Temperature range: -25°C~+85°C
- Insulation resistance: $\geq 1000M\Omega$
- Contact resistance: $\leq 10m\Omega$
- After environmental testing: $\leq 20m\Omega$

X2000 T X-P XX X-X
① Series No.

② Category: T-Terminal

③ Appearance type: Blank-Ordinary

④ Material: P-Phosphor bronze

⑤ Plating Style: G03-Contact Gold 3u"

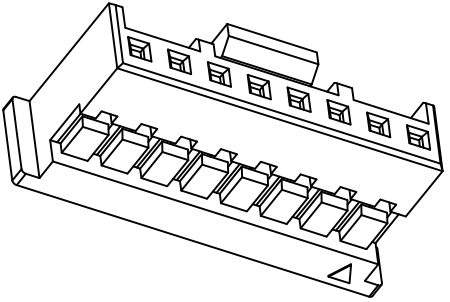
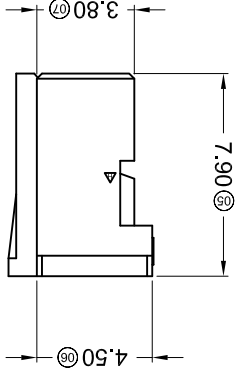
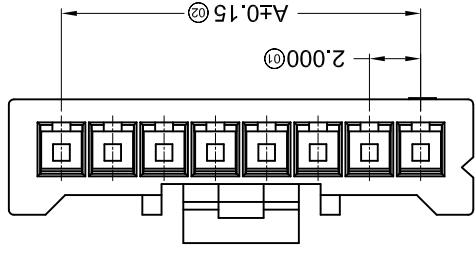
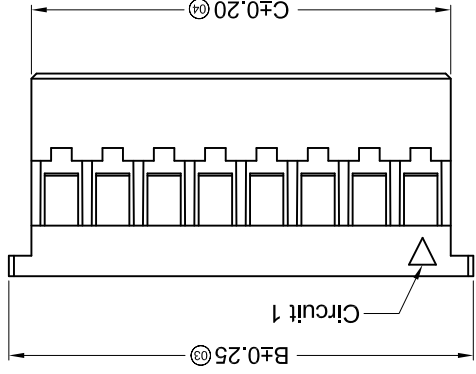
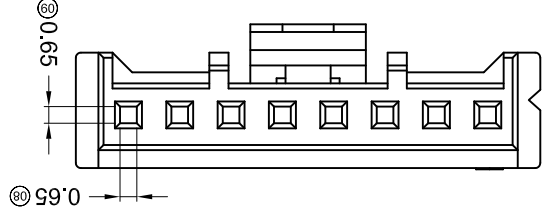
⑥ Plating Method : B-Plating before stamping

⑦ Mold No./Mark/Special No.

For and on behalf of
XKB INDUSTRIAL PRECISION CO., LIMITED
 香港星坤工業精密有限公司
 REVISIONS
 Authorized Signature(s)

| MARK | DESCRIPTION | DATE | REVISED | APPROVED | UNSPECIFIED TOLERANCES |
|------|-------------|------|---------|----------|------------------------|
| △ X | | | | | L > 63 |
| △ X | | | | | 16 > L ≤ 63 |
| △ X | | | | | 4 < L ≤ 16 |
| | | | | | L ≤ 4 |
| | | | | | ANGULAR |
| | | | | | ±5° |

| REVISION | SHEET | WEIGHT | SIZE | DATE | APPD | DATE | DATE | DATE | DATE | SCALE | MODEL TYPE | PART NO. | VIEW | UNIT | UNIT | DWG NO. |
|----------|-------|--------|------|------|------|------|------|------|------|-------|----------------|----------------|---------|------|------|------------------------------|
| A0 | 1/1 | 1.0g | A4 | | | | | | | N/A | X2000H-XX-N0HF | X2000H-XX-N0HF | VIEW: ⑦ | mm | mm | 2.00mm Crimp Style Connector |



| PART NO | Material | Suitable XKB Terminal | Suitable XKB Terminal |
|----------------|----------------------------|-----------------------|-----------------------|
| X2000H-XX-N0 | Nylon 66 94V-0 | X2000T | X2000W |
| X2000H-XX-N0HF | Halogen Free PA66 UL 94V-0 | | |

| Poles | Dimensions (mm) | | |
|-------|-----------------|-------|-------|
| | A | B | C |
| 02 | 2.00 | 6.10 | 4.34 |
| 03 | 4.00 | 8.10 | 6.34 |
| 04 | 6.00 | 10.10 | 8.34 |
| 05 | 8.00 | 12.10 | 10.34 |
| 06 | 10.00 | 14.10 | 12.34 |
| 07 | 12.00 | 16.10 | 14.34 |
| 08 | 14.00 | 18.10 | 16.34 |
| 09 | 16.00 | 20.10 | 18.34 |

- ① Series No.
 ② Category: H-HSG
 ③ Appearance type: Blank-Ordinary
 ④ Row No.-Pin No.: XX-02P~16P
 ⑤ Plug the Pin & Special No.: Blank-Ordinary
 ⑥ Material: N0-PA66 94V-0
 ⑦ HF-Halogen Free
- X2000 H X-XX X-N0 HF**

- Specifications :
- Voltage rating: 250V AC / DC
 - Current rating: 3A AC / DC
 - Withstanding voltage: 800V AC/minute
 - Temperature range: -25°C~+85°C
 - Insulation resistance: ≥1000MΩ
 - Contact resistance: ≤10mΩ
 - After environmental testing: ≤20mΩ

X-ON Electronics

Largest Supplier of Electrical and Electronic Components

Click to view similar products for [Headers & Wire Housings](#) category:

Click to view products by [XKB](#) manufacturer:

Other Similar products are found below :

[95000-104TRLF](#) [10135584-644402LF](#) [DF62W-EP2022PCA](#) [95000-106TRLF](#) [DF62W-2022SCA](#) [DF62W-EP2022PC](#) [2203348](#) [DF62W-2022SC](#) [1084018](#) [1029039](#) [1084017](#) [802-10-012-10-002000](#) [1112640](#) [1112639](#) [891-007-9SS-BST1T](#) [000-34000](#) [0008550134](#) [0009482033](#) [0009507031](#) [57102-F02-18ULF](#) [57102-S06-03LF](#) [57202-S52-04LF](#) [PCN6-15S-2.5E](#) [0039019024](#) [58102-G61-06LF](#) [582553-1](#) [0009485154](#) [0009508121](#) [0022285053](#) [0050291907](#) [018731A](#) [LY20-4P-DT1-P1E-BR](#) [02.125.8002.8](#) [60101931](#) [60598-1 \(Cut Strip\)](#) [M1625-3R/100](#) [61062-3](#) [61082-181009](#) [CSU011177004](#) [636-1427](#) [638009-1](#) [641938-9](#) [641991-4](#) [644168-1](#) [644827-2](#) [647662-1](#) [65039-019ELF](#) [65692-001LF](#) [65781-018](#) [65781-047](#)