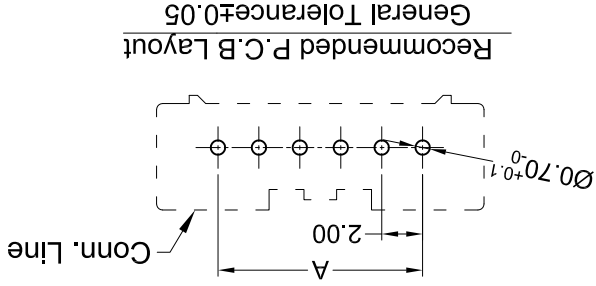
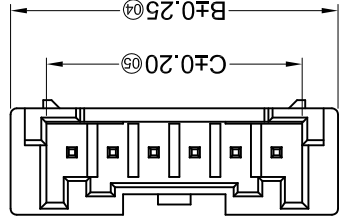
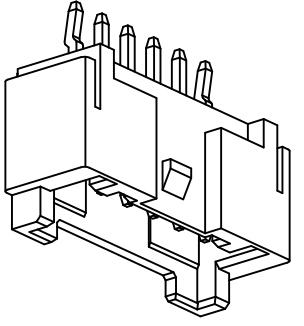
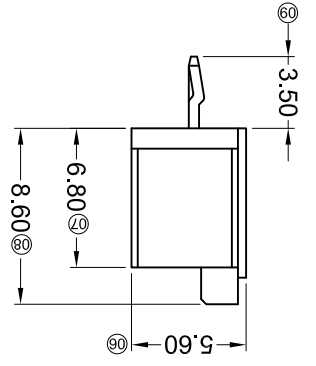
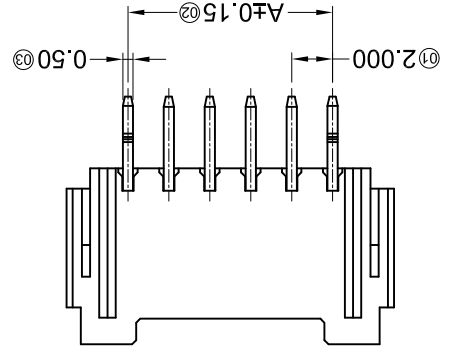
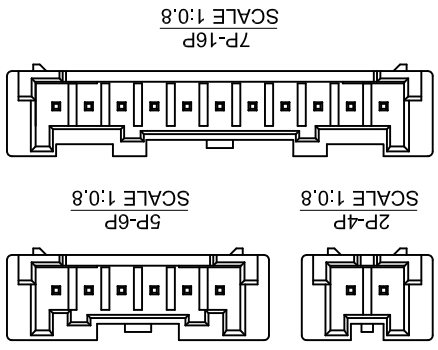


For and on behalf of  
**XKB INDUSTRIAL PRECISION CO., LIMITED**  
 香港星坤工業精密有限公司

MARK	DESCRIPTION	DATE	REVISED	APPROVED	UNSPECIFIED TOLERANCES
△ X					L > 63
△ X					16 < L ≤ 63
△ X					4 < L ≤ 16
△ X					L ≤ 4
					ANGULAR
					± 5°



Recommended P.C.B Layout  
 General Tolerance ± 0.05



PART NO	Material	Material(Pin)	Finish(Pin)	Suitable XKB Terminal
X2000WV-XX-9T SN	PA9T UL 94V-0	Brass	Tin-Plated	X2000H

Poles	Dimensions (mm)		
	A	B	C
02	2.00	8.00	4.50
03	4.00	10.00	6.50
04	6.00	12.00	8.50
05	8.00	14.00	10.50
06	10.00	16.00	12.50
07	12.00	18.00	14.50
08	14.00	20.00	16.50
09	16.00	22.00	18.50

X2000 W V X-XX X-9T SN XX

① Series No.

② Category: W-WAFER

③ Welding Board Angle: V-Stright 180°;

④ Welding Way: Blank-DIP

⑤ Row No.-Pin No.: XX-02P~16P

⑥ Plug the Pin & Special No.: With kink

⑦ Material: 9T -PA9T 94V-0

⑧ Plating Category: SN-Bright Tin Plating

⑨ Color: Blank-Natural Color

- Specifications :
- Voltage rating: 250V AC / DC
- Current rating: 3A AC / DC
- Withstanding voltage: 800V AC/minute
- Temperature range: -25°C~+85°C
- Insulation resistance: ≥1000MΩ
- Contact resistance: ≤10mΩ
- After environmental testing: ≤20mΩ

DSND	DATE	SCALE: N/A	MODEL TYPE: X2000WV-XX-9T SN
CHKD	DATE <td>UNIT: mm <td>2.00mm Crimp Style Connector</td> </td>	UNIT: mm <td>2.00mm Crimp Style Connector</td>	2.00mm Crimp Style Connector
APPD	DATE <td>SIZE: A4 <td></td> </td>	SIZE: A4 <td></td>	

REVISION	SHEET	WEIGHT
A0	1/1	1.0g



For and on behalf of  
**XKB INDUSTRIAL PRECISION CO., LIMITED**  
 香港星坤工業精密有限公司  
 REVISIONS  
 Authorized Signatures(s)

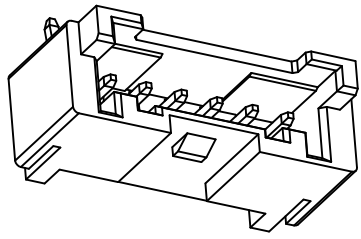
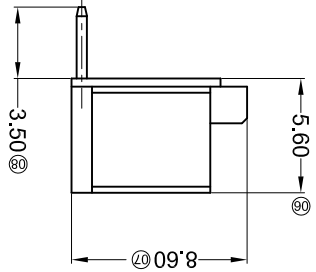
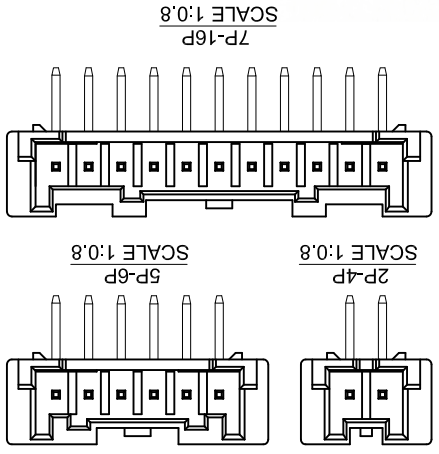
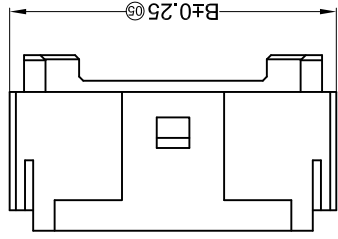
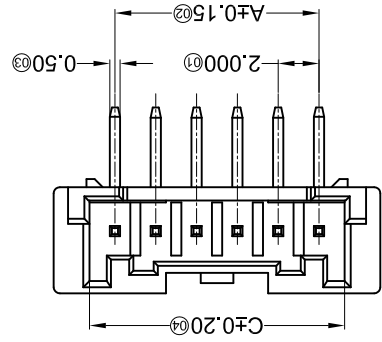
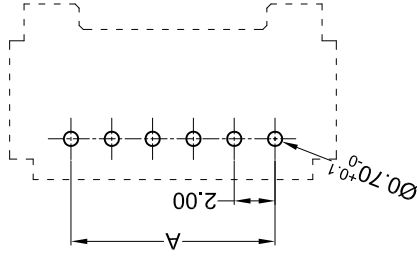
MARK	DESCRIPTION	DATE	REVISED	APPROVED	UNSPECIFIED TOLERANCES
△ X					±0.5
△ X					16 > L ≤ 63
△ X					4 < L ≤ 16
△ X					L ≤ 4
					ANGULAR ±5°

REVISION	SHEET	WEIGHT	SIZE: A4	DATE	DATE	DATE	DATE
A0	1/1	1.0g					

MODEL TYPE: X2000WR-XXA-9T-SN  
 SCALE: N/A  
 PART NO.:  
 DWG NO.: 2.00mm Crimp Style Connector

**XKB INDUSTRIAL PRECISION CO., LIMITED**

Recommended P.C.B Layout  
 General Tolerance ±0.05

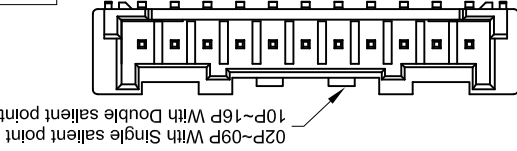
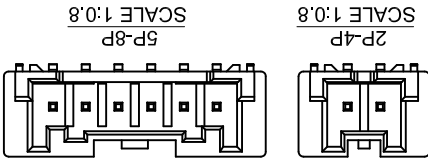
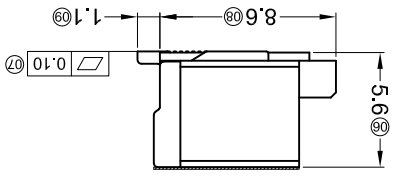
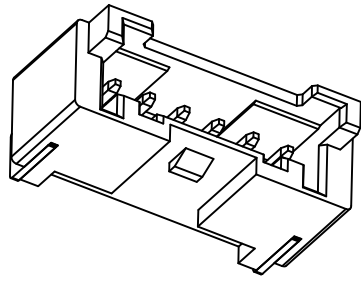
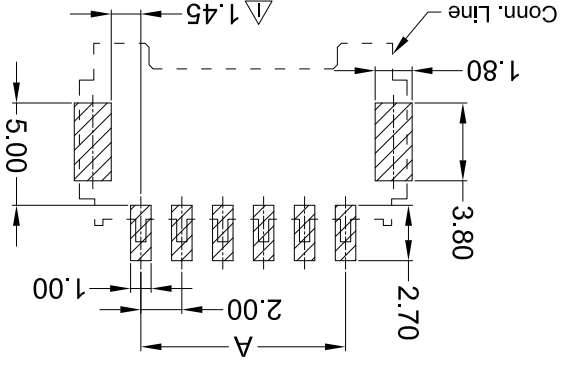
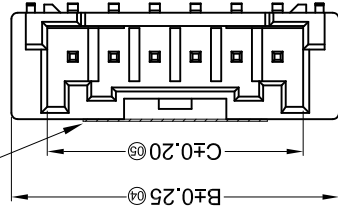
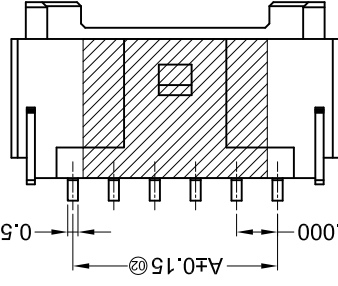


PART NO	Material	Material(Pin)	Finish(Pin)	Suitable XKB Terminal
X2000WR-XXA-9T-SN	PA9T UL 94V-0	Brass	Tin-Plated	Suitable XKB Terminal

Poles	Dimensions (mm)		
	A	B	C
02	2.00	8.00	4.50
03	4.00	10.00	6.50
04	6.00	12.00	8.50
05	8.00	14.00	10.50
06	10.00	16.00	12.50
07	12.00	18.00	14.50
08	14.00	20.00	16.50
09	16.00	22.00	18.50

- ① Series No. X2000 WR X-XX A-9T SN XX  
 ② Category: W-WAFER  
 ③ Welding Board Angle: R-Right Angle 90°  
 ④ Welding Way: Blank-DIP  
 ⑤ Row No.-Pin No.: XX-02P~16P  
 ⑥ Plug the Pin & Special No.: A-Without kink  
 ⑦ Material: 9T -PA9T 94V-0  
 ⑧ Plating Category: SN-Bright Tin Plating  
 ⑨ Color: Blank-Natural Color

- Specifications :
- Voltage rating: 250V AC / DC
  - Current rating: 3A AC / DC
  - Withstanding voltage: 800V AC/minute
  - Temperature range: -25°C~+85°C
  - Insulation resistance: ≥100MΩ
  - Contact resistance: ≤10mΩ
  - After environmental testing : ≤20mΩ



Recommended P.C.B Layout  
General Tolerance±0.05

For and on behalf of  
**KXB INDUSTRIAL PRECISION CO., LIMITED**  
香港星坤工業精密有限公司

Revisions (Authorized Signatures)

MARK	DESCRIPTION	DATE	REVISED	APPROVED	UNSPECIFIED TOLERANCES
△X					L > 63 ±0.5
△X					16 > L ≤ 63 ±0.4
△X					4 < L ≤ 16 ±0.3
△X					L ≤ 4 ±0.2
					ANGULAR ±5°

PART NO	Material	Material(Pin)	Finish(Pin)	Material (Solder Tabs)	Finish (Solder Tabs)	Part No	Material
X2000WRS-XX-9TSM	PA9T UL 94V-0	Brass	Tin Plating	Brass	Tin Plating	X2000H	Mates With
X2000WRS-XX-9TSM			Matte Tin		Matte Tin		Mates With Housing

Poles	Dimensions (mm)		Poles	Dimensions (mm)			
	A	B		C	A	B	
02	2.00	8.00	4.50	10	18.00	24.00	20.50
03	4.00	10.00	6.50	11	20.00	26.00	22.50
04	6.00	12.00	8.50	12	22.00	28.00	24.50
05	8.00	14.00	10.50	13	24.00	30.00	26.50
06	10.00	16.00	12.50	14	26.00	32.00	28.50
07	12.00	18.00	14.50	15	28.00	34.00	30.50
08	14.00	20.00	16.50	16	30.00	36.00	32.50
09	16.00	22.00	18.50				

X2000 W R S-XX X -9T XX XX  
① Series No.  
② Category: W-WAFER  
③ Welding Board Angle: R-Right Angle 90°  
④ Welding Way: S-SMT  
⑤ Row No.-Pin No.: XX-02P~16P  
⑥ Plug the Pin & Special No.  
⑦ Material: 9T -PA9T 94V-0  
⑧ Plating Category: SN-Bright Tin Plating; SW-Matte Tin  
⑨ Color: Blank-Natural Color

- Voltage rating: 250V AC / DC
- Current rating: 3A AC / DC
- Withstanding voltage: 800V AC/minute
- Temperature range: -25°C~+85°C
- Insulation resistance: ≥1000MΩ
- Contact resistance: ≤10mΩ
- After environmental testing: ≤20mΩ

DSND	DATE	SCALE: N/A	MODEL TYPE: 2000WRS-XX-9TXX
CHKD	DATE <td>UNIT: mm <td>DWG NO.: 2.00mm Crimp Style Connector</td> </td>	UNIT: mm <td>DWG NO.: 2.00mm Crimp Style Connector</td>	DWG NO.: 2.00mm Crimp Style Connector
APPD	DATE <td>SIZE: A4 <td></td> </td>	SIZE: A4 <td></td>	

REVISION	SHEET	WEIGHT
A0	1/1	1.0g

For and on behalf of  
**XKB INDUSTRIAL PRECISION CO., LIMITED**  
 香港星坤工業精密有限公司  
 (Authorized Signatures)

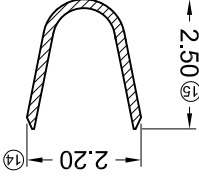
MARK	DESCRIPTION	DATE	REVISD	APPROVED	UNSPECIFIED TOLERANCES
△ X					±0.5
△ X					16 > L ≤ 63
△ X					4 < L ≤ 16
△ X					L ≤ 4
					ANGULAR ±5°

REVISION	SHEET	WEIGHT	DATE	DATE	DATE	DATE	DATE
A0	1/1	1.0g					

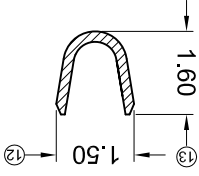
<b>XKB INDUSTRIAL PRECISION CO., LIMITED</b>	SIZE: A4	UNIT: mm	VIEW:	SCALE: N/A
DWG NO.:	PART NO.:	MODEL TYPE:		
2,00mm Crimp Style Connectors	X2000T-PXX	X2000T-PXX		

PART NO	Material	Wire Range	Insulation O.D.	Finish	Suitable XKB Terminal
X2000T-PG03	Phosphor Bronze	AWG#22-28	1.50mm(Max)	Stamping Before Plating:30u" Ni;Contact Gold:3u"	X2000H
X2000T-PSNB				Plating Before Stamping:10u" Ni;40u" Sn	
X2000T-PSN				Stamping Before Plating:30u" Ni;70u" Sn	

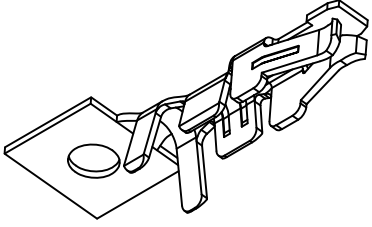
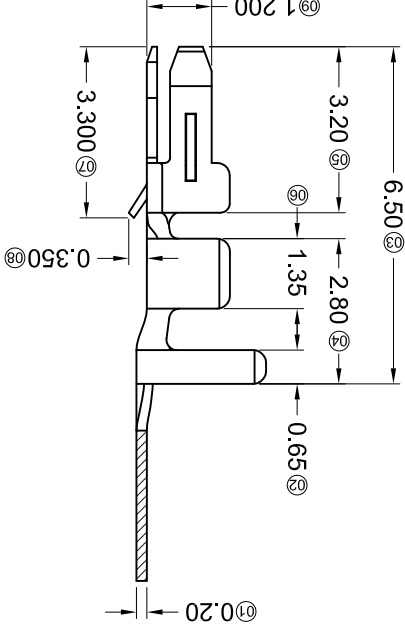
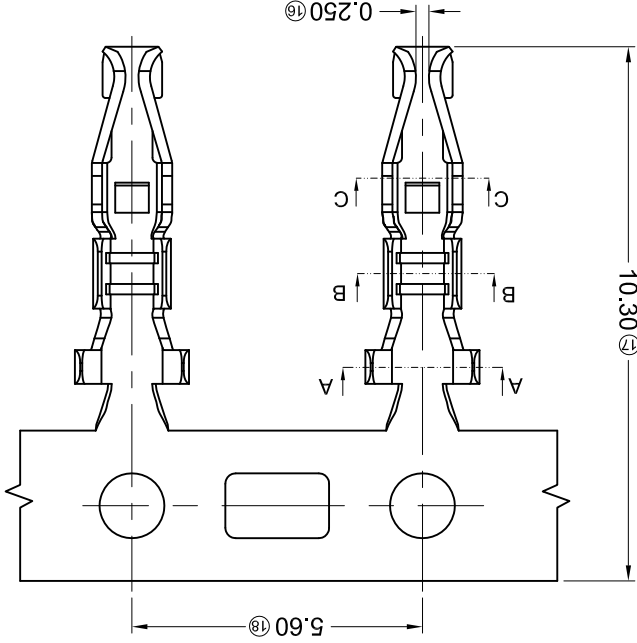
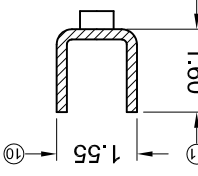
SECTION: A-A  
SCALE: 1:1



SECTION: B-B  
SCALE: 1:1



SECTION: C-C  
SCALE: 1:1



■ Specifications :

- Voltage rating: 250V AC / DC
- Current rating: 3A AC / DC
- Withstanding voltage: 800V AC/minute
- Temperature range: -25°C~+85°C
- Insulation resistance: ≥100MΩ
- Contact resistance: ≤10mΩ
- After environmental testing: ≤20mΩ

X2000 T X-P XX X-X  
① ② ③ ④ ⑤ ⑥ ⑦

- Series No.
- Category: T-Terminal
- Appearance type: Blank-Ordinary
- Material: P-Phosphor bronze
- Plating Style: G03-Contact Gold 3u"
- Plating Method : B-Plating before stamping
- Mold No./Mark/Special No.

For and on behalf of  
**XKB INDUSTRIAL PRECISION CO., LIMITED**  
 香港星坤工業精密有限公司

REVISIONS  
 Authorized Signature(s)

MARK	DESCRIPTION	DATE	REVISED	APPROVED	UNSPECIFIED TOLERANCES
△ X					L > 63 ± 0.5
△ X					16 > L ≤ 63 ± 0.4
△ X					4 < L ≤ 16 ± 0.3
△ X					L ≤ 4 ± 0.2
					ANGULAR ± 5°

REVISION	SHEET	WEIGHT	SIZE	DATE	DATE	DATE	DATE	DATE
A0	1/1	1.0g	A4					

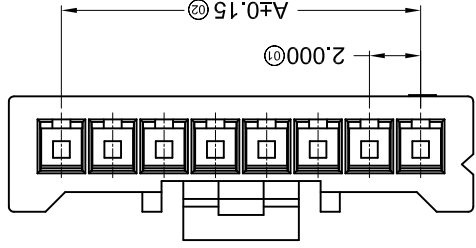
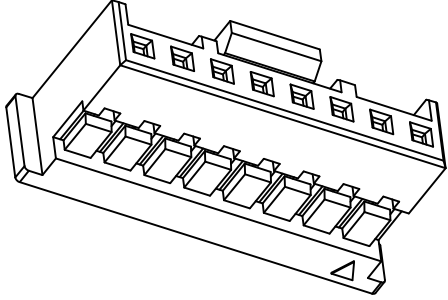
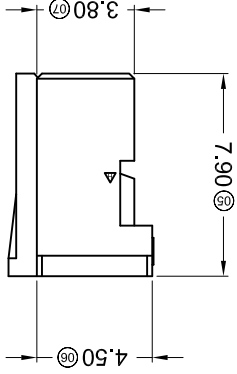
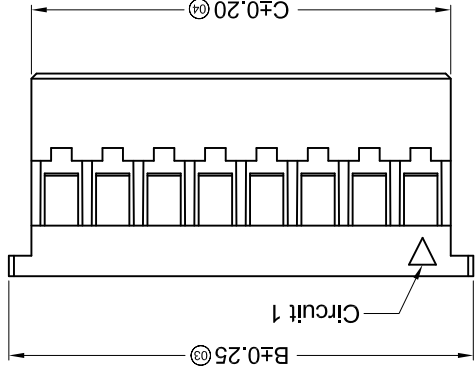
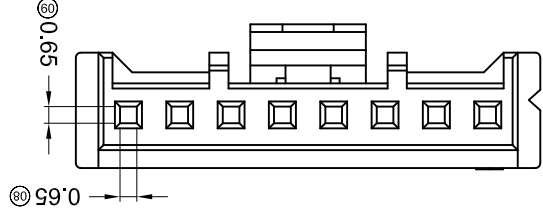
**XKB INDUSTRIAL PRECISION CO., LIMITED**

APPD	CHKD	DWN	DSND

UNIT: mm	VIEW:	SCALE: N/A

PART NO.:  
 2.00mm Crimp Style Connector

MODEL TYPE: X2000H-XX-N0HF



PART NO	Material	Suitable XKB Terminal	Suitable XKB Terminal
X2000H-XX-N0	Nylon 66 94V-0	X2000T	X2000W
X2000H-XX-N0HF	Halogen Free PA66 UL 94V-0		

Poles	Dimensions (mm)		
	A	B	C
02	2.00	6.10	4.34
03	4.00	8.10	6.34
04	6.00	10.10	8.34
05	8.00	12.10	10.34
06	10.00	14.10	12.34
07	12.00	16.10	14.34
08	14.00	18.10	16.34
09	16.00	20.10	18.34

- X2000 H X-XX X-N0 HF**
- Series No.
  - Category: H-HSG
  - Appearance type: Blank-Ordinary
  - Row No.-Pin No.: XX-02P~16P
  - Plug the Pin & Special No.: Blank-Ordinary
  - Material: N0-PA66 94V-0
  - HF-Halogen Free

- Specifications:**
- Voltage rating: 250V AC / DC
  - Current rating: 3A AC / DC
  - Withstanding voltage: 800V AC/minute
  - Temperature range: -25°C~+85°C
  - Insulation resistance: ≥1000MΩ
  - Contact resistance: ≤10mΩ
  - After environmental testing: ≤20mΩ

## X-ON Electronics

Largest Supplier of Electrical and Electronic Components

*Click to view similar products for [Headers & Wire Housings](#) category:*

*Click to view products by [XKB](#) manufacturer:*

Other Similar products are found below :

[95000-104TRLF](#) [10135584-644402LF](#) [DF62W-EP2022PCA](#) [95000-106TRLF](#) [DF62W-2022SCA](#) [DF62W-EP2022PC](#) [2203348](#) [DF62W-2022SC](#) [1084018](#) [1029039](#) [1084017](#) [802-10-012-10-002000](#) [1112640](#) [1112639](#) [891-007-9SS-BST1T](#) [000-34000](#) [0008550134](#) [0009482033](#) [0009507031](#) [57102-F02-18ULF](#) [57102-S06-03LF](#) [57202-S52-04LF](#) [PCN6-15S-2.5E](#) [0039019024](#) [58102-G61-06LF](#) [582553-1](#) [0009485154](#) [0009508121](#) [0022285053](#) [0050291907](#) [018731A](#) [LY20-4P-DT1-P1E-BR](#) [02.125.8002.8](#) [60101931](#) [60598-1 \(Cut Strip\)](#) [M1625-3R/100](#) [61062-3](#) [61082-181009](#) [CSU011177004](#) [636-1427](#) [638009-1](#) [641938-9](#) [641991-4](#) [644168-1](#) [644827-2](#) [647662-1](#) [65039-019ELF](#) [65692-001LF](#) [65781-018](#) [65781-047](#)