

For and on behalf of
XKB INDUSTRIAL PRECISION CO., LIMITED
 香港星坤工業精密有限公司

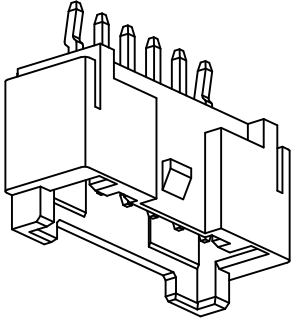
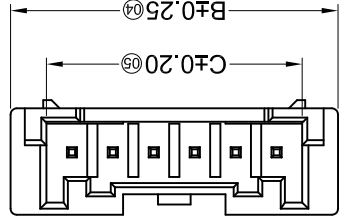
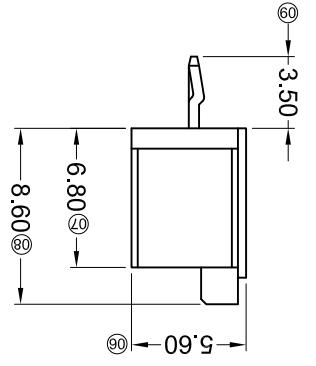
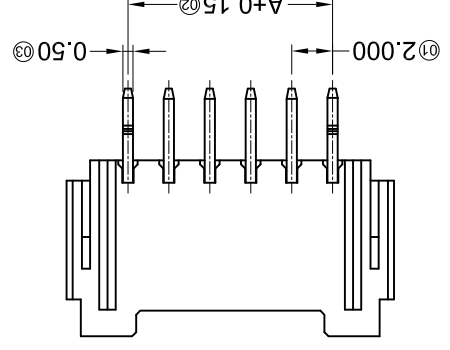
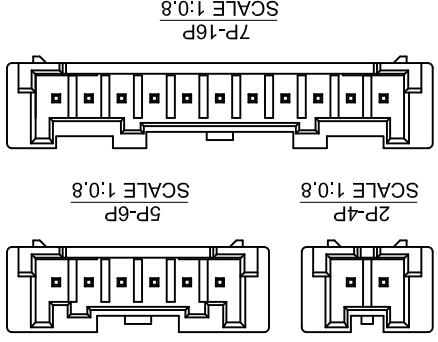
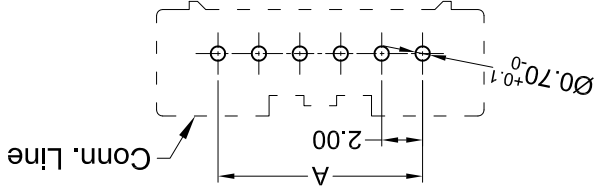
MARK	DESCRIPTION	DATE	REVISED	APPROVED	UNSPECIFIED TOLERANCES
△X					$L > 63$ ± 0.5
△X					$16 < L \leq 63$ ± 0.4
△X					$4 < L \leq 16$ ± 0.3
△X					$L \leq 4$ ± 0.2
					ANGULAR $\pm 5^\circ$

REVISIONS
 Authorized Signature(s)

DSND	DATE	SCALE: N/A	MODEL TYPE: X2000WV-XX-9T-SN
DWN	DATE <td>VIEW: </td> <td>PART NO.:</td>	VIEW:	PART NO.:
CHKD	DATE <td>UNIT: mm</td> <td>2.00mm Crimp Style Connector</td>	UNIT: mm	2.00mm Crimp Style Connector
APPD	DATE <td>SIZE: A4</td> <td>DWG NO.:</td>	SIZE: A4	DWG NO.:
		WEIGHT: 1.0g	REVISION: A0
		SHEET: 1/1	

PART NO	Material	Material(Pin)	Finish(Pin)	Suitable XKB Terminal
X2000WV-XX-9T-SN	PA9T UL 94V-0	Brass	Tin-Plated	X2000H

Recommended P.C.B Layout
 General Tolerance ± 0.05



Poles	Dimensions (mm)		
	A	B	C
02	2.00	8.00	4.50
03	4.00	10.00	6.50
04	6.00	12.00	8.50
05	8.00	14.00	10.50
06	10.00	16.00	12.50
07	12.00	18.00	14.50
08	14.00	20.00	16.50
09	16.00	22.00	18.50

- ① Series No.
- ② Category: W-WAFER
- ③ Welding Board Angle: V-Stright 180°;
- ④ Welding Way: Blank-DIP
- ⑤ Row No.-Pin No.: XX-02P~16P
- ⑥ Plug the Pin & Special No.: With kink
- ⑦ Material: 9T -PA9T 94V-0
- ⑧ Plating Category: SN-Bright Tin Plating
- ⑨ Color: Blank-Natural Color

X2000 W V X-XX X -9T SN XX
 ① ② ③ ④ ⑤ ⑥ ⑦ ⑧ ⑨

- Specifications :
- Voltage rating: 250V AC / DC
- Current rating: 3A AC / DC
- Withstanding voltage: 800V AC/minute
- Temperature range: -25°C~+85°C
- Insulation resistance: $\geq 1000M\Omega$
- Contact resistance: $\leq 10m\Omega$
- After environmental testing: $\leq 20m\Omega$

For and on behalf of
XKB INDUSTRIAL PRECISION CO., LIMITED
 香港星坤工業精密有限公司

REVISIONS
 Authorized Signatures(s)

MARK	DESCRIPTION	DATE	REVISED	APPROVED	UNSPECIFIED TOLERANCES
△ X					±0.5
△ X					16 > L ≤ 63
△ X					4 < L ≤ 16
△ X					L ≤ 4
					ANGULAR ±5°

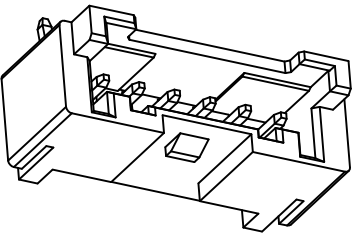
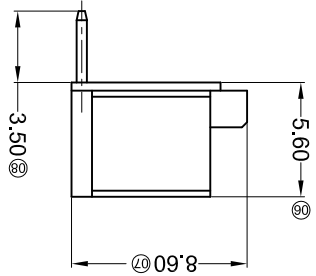
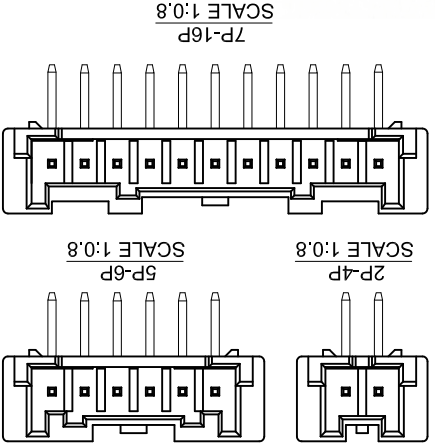
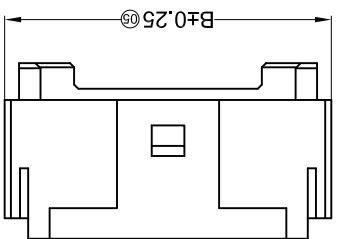
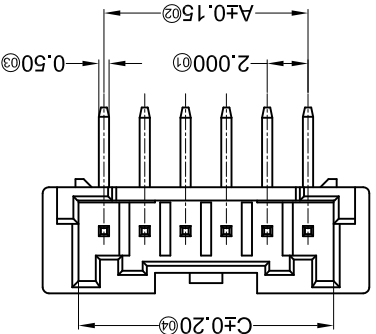
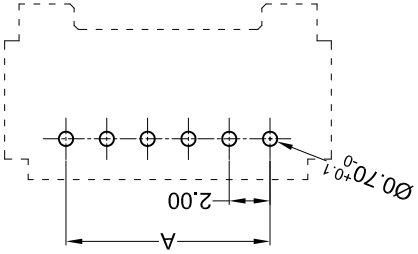
REVISION	SHEET	WEIGHT	SIZE	DATE	DATE	DATE	DATE
A0	1/1	1.0g	A4				

XKB INDUSTRIAL PRECISION CO., LIMITED

APPD	DATE	DATE	DATE	DATE
CHKD	DATE	DATE	DATE	DATE
DWN	DATE	DATE	DATE	DATE
DSND	DATE	DATE	DATE	DATE

MODEL TYPE:	SCALE: N/A	VIEW:	UNIT: mm	PART NO.:	DWG NO.:
X2000WR-XXA-9T-SN		2.00mm Crimp Style Connector			

Recommended P.C.B Layout
 General Tolerance ±0.05



PART NO	Material	Material(Pin)	Finish(Pin)	Suitable XKB Terminal
X2000WR-XXA-9T-SN	PA9T UL 94V-0	Brass	Tin-Plated	X2000H

Poles	Dimensions (mm)		
	A	B	C
02	2.00	8.00	4.50
03	4.00	10.00	6.50
04	6.00	12.00	8.50
05	8.00	14.00	10.50
06	10.00	16.00	12.50
07	12.00	18.00	14.50
08	14.00	20.00	16.50
09	16.00	22.00	18.50

- ① Series No. X2000 WR X-XX A-9T SN XX
 ② Category: W-WAFER
 ③ Welding Board Angle: R-Right Angle 90°
 ④ Welding Way: Blank-DIP
 ⑤ Row No.-Pin No.: XX-02P~16P
 ⑥ Plug the Pin & Special No.: A-Without kink
 ⑦ Material: 9T -PA9T 94V-0
 ⑧ Plating Category: SN-Bright Tin Plating
 ⑨ Color: Blank-Natural Color

- Specifications :
- Voltage rating: 250V AC / DC
 - Current rating: 3A AC / DC
 - Withstanding voltage: 800V AC/minute
 - Temperature range: -25°C~+85°C
 - Insulation resistance: ≥100MΩ
 - Contact resistance: ≤10mΩ
 - After environmental testing : ≤20mΩ

For and on behalf of
KXB INDUSTRIAL PRECISION CO., LIMITED
 香港星洲工業精密有限公司

Revisions (Authorized Signatures)

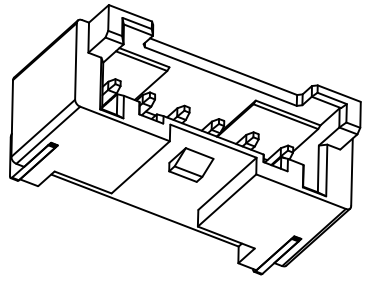
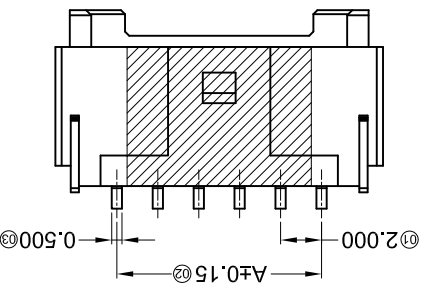
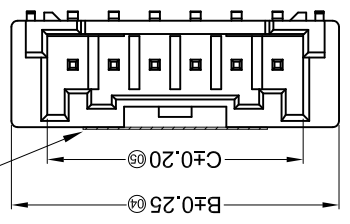
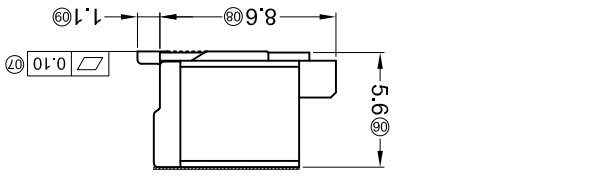
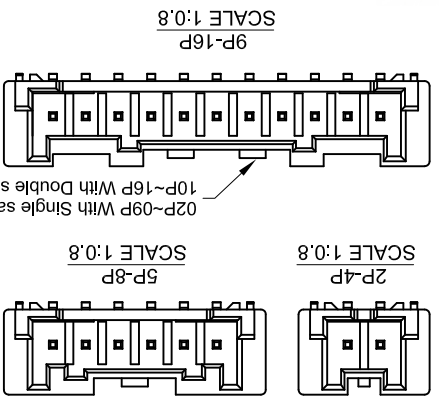
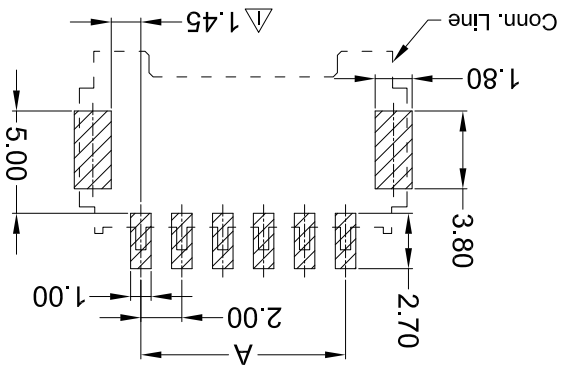
MARK	DESCRIPTION	DATE	REVISED	APPROVED	UNSPECIFIED TOLERANCES
△ X					$L > 63$ ± 0.5
△ X					$16 > L \leq 63$ ± 0.4
△ X					$4 < L \leq 16$ ± 0.3
△ X					$L \leq 4$ ± 0.2
					ANGULAR $\pm 5^\circ$

REVISION	SHEET	WEIGHT	1/1	1.0g	8
AO					

DATE	SCALE: N/A	MODEL TYPE: 2000WRS-XX-9TXX	VIEW:	DATE	DATE	DATE	DATE	DATE	DATE
DSND									
DWN									
CHKD									
APPD									

SIZE: A4	UNIT: mm	DWG NO.:
		2.00mm Crimp Style Connector

Recommended P.C.B Layout
 General Tolerance ± 0.05



Poles	Dimensions (mm)	
	A	B
02	2.00	8.00
03	4.00	10.00
04	6.00	12.00
05	8.00	14.00
06	10.00	16.00
07	12.00	18.00
08	14.00	20.00
09	16.00	22.00

Material	Material (Pn)	Finish (Pn)	Material (Pn)	Finish (Pn)	Material (Pn)	Finish (Pn)
PA9T UL 94V-0	Brass	Tin Plating	PA9T UL 94V-0	Brass	Tin Plating	Tin Plating
X2000WRS-XX-9T5W	Brass	Tin Plating	X2000WRS-XX-9T5W	Brass	Tin Plating	Tin Plating
X2000H	Brass	Tin Plating	X2000H	Brass	Tin Plating	Tin Plating

Part No.	Material	Material (Pn)	Finish (Pn)	Material (Pn)	Finish (Pn)	Material (Pn)	Finish (Pn)
PA9T UL 94V-0	Brass	Tin Plating	PA9T UL 94V-0	Brass	Tin Plating	PA9T UL 94V-0	Brass
X2000WRS-XX-9T5W	Brass	Tin Plating	X2000WRS-XX-9T5W	Brass	Tin Plating	X2000WRS-XX-9T5W	Brass
X2000H	Brass	Tin Plating	X2000H	Brass	Tin Plating	X2000H	Brass

- ① Series No. X2000 W R S-XX X -9T XX XX
- ② Category: W-WAFER
- ③ Welding Board Angle: R-Right Angle 90°
- ④ Welding Way: S-SMT
- ⑤ Row No.-Pin No.: XX-02P~16P
- ⑥ Plug the Pin & Special No.
- ⑦ Material: 9T -PA9T 94V-0
- ⑧ Plating Category: SN-Bright Tin Plating; SW-Matte Tin
- ⑨ Color: Blank-Natural Color

- Specifications:
- Voltage rating: 250V AC / DC
 - Current rating: 3A AC / DC
 - Withstanding voltage: 800V AC/minute
 - Temperature range: -25°C~+85°C
 - Insulation resistance: $\geq 1000M\Omega$
 - Contact resistance: $\leq 10m\Omega$
 - After environmental testing: $\leq 20m\Omega$

For and on behalf of
XKB INDUSTRIAL PRECISION CO., LIMITED
香港星坤工業精密有限公司

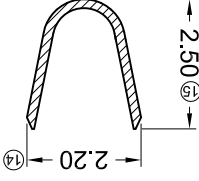
MARK	DESCRIPTION	DATE	REVISOR	APPROVED	UNSPECIFIED TOLERANCES
△ X					±0.5
△ X					16 > L ≤ 63
△ X					4 < L ≤ 16
△ X					L ≤ 4
					ANGULAR
					±5°

REVISION	SHEET	WEIGHT	DATE	DATE	DATE	DATE	DATE
A0	1/1	1.0g					

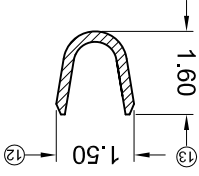
XKB INDUSTRIAL PRECISION CO., LIMITED

PART NO	Material	Wire Range	Insulation O.D.	Finish	Suitable XKB Terminal
X2000T-PG03	Phosphor Bronze	AWG#22-28	1.50mm(Max)	Stamping Before Plating:30u" Ni;Contact Gold:3u"	X2000H
X2000T-PSNB				Plating Before Stamping:10u" Ni;40u" Sn	
X2000T-PSN				Stamping Before Plating:30u" Ni;70u" Sn	

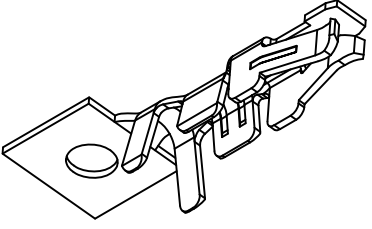
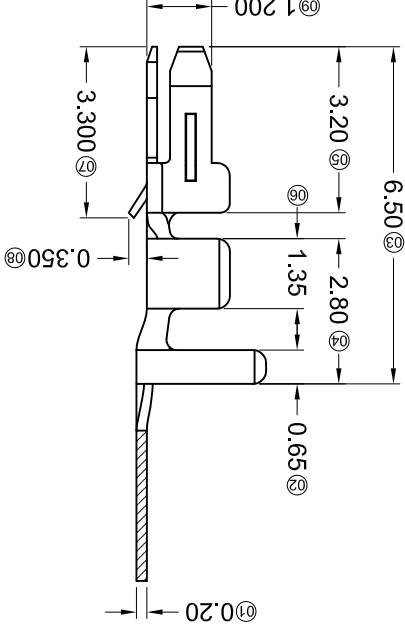
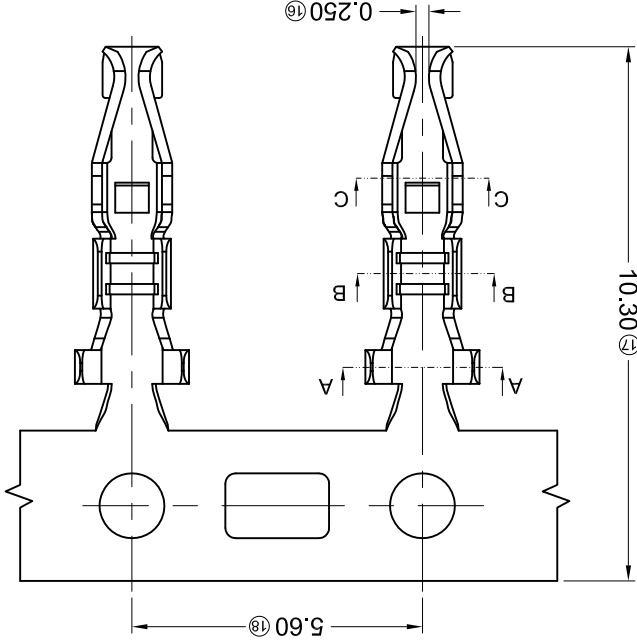
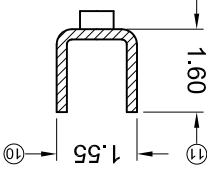
SECTION: A-A
SCALE: 1:1



SECTION: B-B
SCALE: 1:1



SECTION: C-C
SCALE: 1:1



■ Specifications :

- Voltage rating: 250V AC / DC
- Current rating: 3A AC / DC
- Withstanding voltage: 800V AC/minute
- Temperature range: -25°C~+85°C
- Insulation resistance: ≥100MΩ
- Contact resistance: ≤10mΩ
- After environmental testing: ≤20mΩ

X2000 T X-P XX X-X
① ② ③ ④ ⑤ ⑥ ⑦

- ① Series No.
- ② Category: T-Terminal
- ③ Appearance type: Blank-Ordinary
- ④ Material: P-Phosphor bronze
- ⑤ Plating Style: G03-Contact Gold 3u"
- ⑥ Plating Method : B-Plating before stamping
- ⑦ Mold No./Mark/Special No.

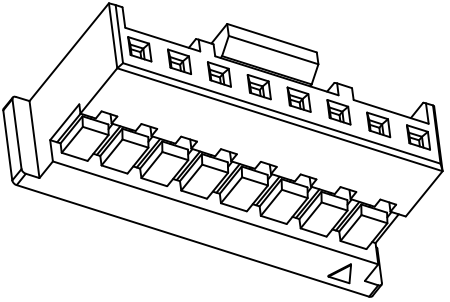
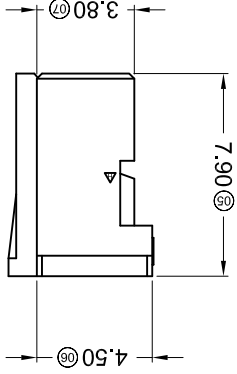
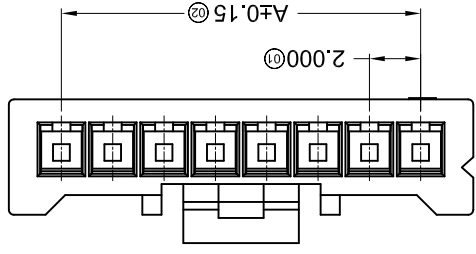
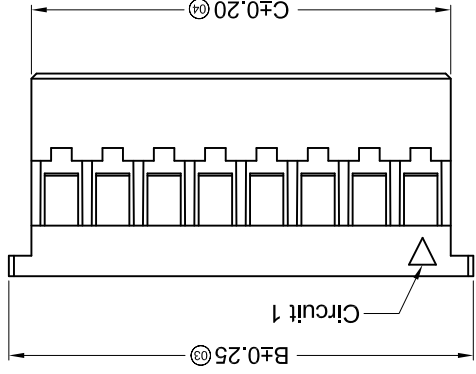
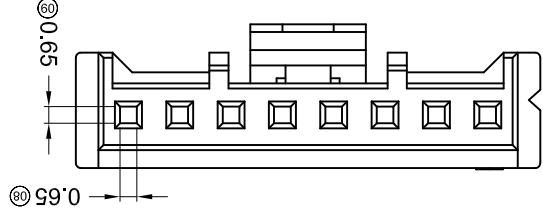
For and on behalf of
XKB INDUSTRIAL PRECISION CO., LIMITED
 香港星坤工業精密有限公司

REVISIONS
 Authorized Signature(s)

MARK	DESCRIPTION	DATE	REVISED	APPROVED	UNSPECIFIED TOLERANCES
△ X					L > 63 ± 0.5
△ X					16 > L ≤ 63 ± 0.4
△ X					4 < L ≤ 16 ± 0.3
△ X					L ≤ 4 ± 0.2
					ANGULAR ± 5°

REVISION	SHEET	WEIGHT	SIZE	DATE	DATE	DATE	DATE	DATE	DATE
A0	1/1	1.0g	A4						

XKB INDUSTRIAL PRECISION CO., LIMITED



PART NO	Material	Suitable XKB Terminal	Suitable XKB Terminal
X2000H-XX-N0	Nylon 66 94V-0	X2000T	X2000W
X2000H-XX-N0HF	Halogen Free PA66 UL 94V-0		

Poles	Dimensions (mm)		
	A	B	C
02	2.00	6.10	4.34
03	4.00	8.10	6.34
04	6.00	10.10	8.34
05	8.00	12.10	10.34
06	10.00	14.10	12.34
07	12.00	16.10	14.34
08	14.00	18.10	16.34
09	16.00	20.10	18.34

- X2000 H X-XX X-N0 HF**
- Series No.
 - Category: H-HSG
 - Appearance type: Blank-Ordinary
 - Row No.-Pin No.: XX-02P~16P
 - Plug the Pin & Special No.: Blank-Ordinary
 - Material: N0-PA66 94V-0
 - HF-Halogen Free

- Specifications :**
- Voltage rating: 250V AC / DC
 - Current rating: 3A AC / DC
 - Withstanding voltage: 800V AC/minute
 - Temperature range: -25°C~+85°C
 - Insulation resistance: ≥1000MΩ
 - Contact resistance: ≤10mΩ
 - After environmental testing: ≤20mΩ

X-ON Electronics

Largest Supplier of Electrical and Electronic Components

Click to view similar products for [Headers & Wire Housings](#) category:

Click to view products by [XKB](#) manufacturer:

Other Similar products are found below :

[95000-104TRLF](#) [10135584-644402LF](#) [DF62W-EP2022PCA](#) [95000-106TRLF](#) [DF62W-2022SCA](#) [DF62W-EP2022PC](#) [2203348](#) [DF62W-2022SC](#) [1084018](#) [1029039](#) [1084017](#) [802-10-012-10-002000](#) [1112640](#) [1112639](#) [891-007-9SS-BST1T](#) [000-34000](#) [0008550134](#) [0009482033](#) [0009507031](#) [57102-F02-18ULF](#) [57102-S06-03LF](#) [57202-S52-04LF](#) [PCN6-15S-2.5E](#) [0039019024](#) [58102-G61-06LF](#) [582553-1](#) [0009485154](#) [0009508121](#) [0022285053](#) [0050291907](#) [018731A](#) [LY20-4P-DT1-P1E-BR](#) [02.125.8002.8](#) [60101931](#) [60598-1 \(Cut Strip\)](#) [M1625-3R/100](#) [61062-3](#) [61082-181009](#) [CSU011177004](#) [636-1427](#) [638009-1](#) [641938-9](#) [641991-4](#) [644168-1](#) [644827-2](#) [647662-1](#) [65039-019ELF](#) [65692-001LF](#) [65781-018](#) [65781-047](#)