

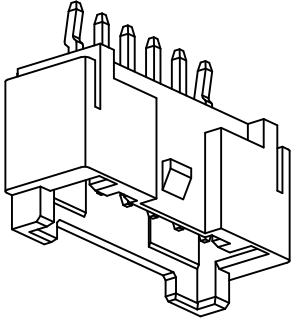
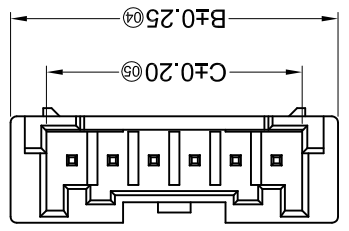
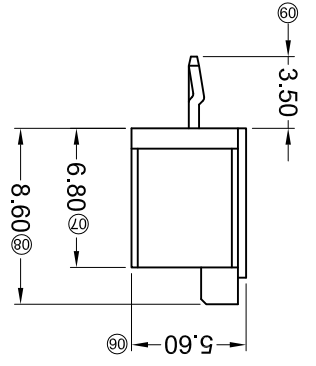
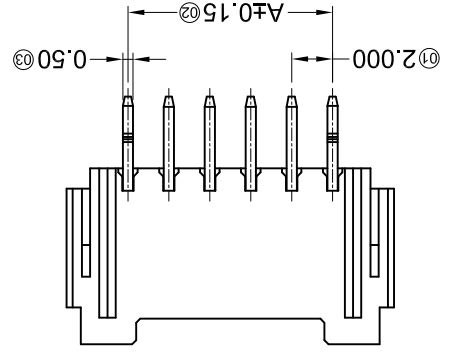
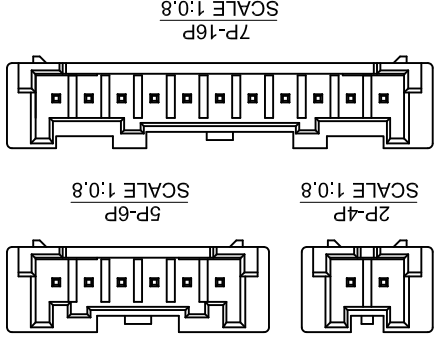
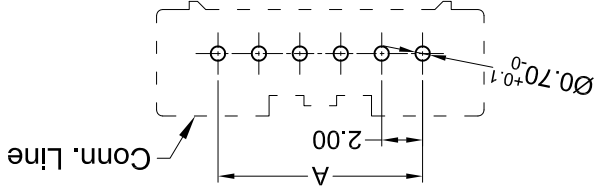
For and on behalf of
XKB INDUSTRIAL PRECISION CO., LIMITED
 香港星坤工業精密有限公司

MARK	DESCRIPTION	DATE	REVISED	APPROVED	UNSPECIFIED TOLERANCES
△ X					$L > 63$ ± 0.5
△ X					$16 < L \leq 63$ ± 0.4
△ X					$4 < L \leq 16$ ± 0.3
△ X					$L \leq 4$ ± 0.2
					ANGULAR $\pm 5^\circ$

REVISIONS
 Authorized Signatures(s)

REVISION	SHEET	WEIGHT	1/1	1.0g	AO
XKB INDUSTRIAL PRECISION CO., LIMITED					
DSND	DATE	SCALE: N/A	MODEL TYPE: X2000WV-XX-9T-SN		
DWN	DATE	VIEW:	PART NO.:		
CHKD	DATE	UNIT: mm	2.00mm Crimp Style Connector		
APPD	DATE	SIZE: A4	DWG NO.:		

Recommended P.C.B Layout
 General Tolerance ± 0.05



PART NO	Material	Material(Pin)	Finish(Pin)	Suitable XKB Terminal
X2000WV-XX-9T-SN	PA9T UL 94V-0	Brass	Tin-Plated	X2000H

Poles	Dimensions (mm)		
	A	B	C
02	2.00	8.00	4.50
03	4.00	10.00	6.50
04	6.00	12.00	8.50
05	8.00	14.00	10.50
06	10.00	16.00	12.50
07	12.00	18.00	14.50
08	14.00	20.00	16.50
09	16.00	22.00	18.50

- ① Series No.
- ② Category: W-WAFER
- ③ Welding Board Angle: V-Stright 180°;
- ④ Welding Way: Blank-DIP
- ⑤ Row No.-Pin No.: XX-02P~16P
- ⑥ Plug the Pin & Special No.: With kink
- ⑦ Material: 9T -PA9T 94V-0
- ⑧ Plating Category: SN-Bright Tin Plating
- ⑨ Color: Blank-Natural Color

X2000 W V X-XX X -9T SN XX
 ① ② ③ ④ ⑤ ⑥ ⑦ ⑧ ⑨

- Specifications :
- Voltage rating: 250V AC / DC
- Current rating: 3A AC / DC
- Withstanding voltage: 800V AC/minute
- Temperature range: -25°C~+85°C
- Insulation resistance: $\geq 1000M\Omega$
- Contact resistance: $\leq 10m\Omega$
- After environmental testing: $\leq 20m\Omega$

For and on behalf of
XKB INDUSTRIAL PRECISION CO., LIMITED
 香港星坤工業精密有限公司

REVISIONS
 Authorized Signatures(s)

MARK	DESCRIPTION	DATE	REVISED	APPROVED	UNSPECIFIED TOLERANCES
△ X					±0.5
△ X					16 > L ≤ 63
△ X					4 < L ≤ 16
△ X					L ≤ 4
					ANGULAR ±5°

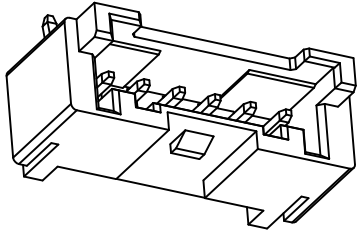
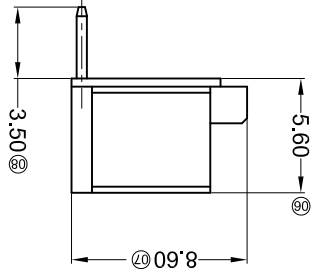
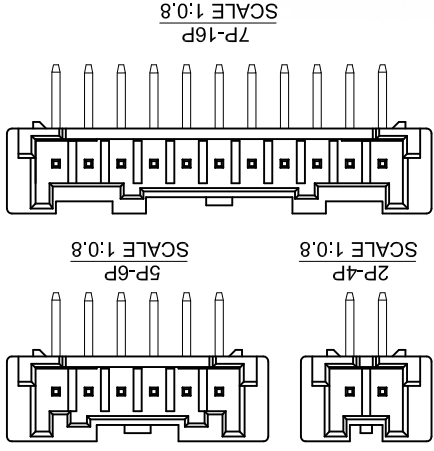
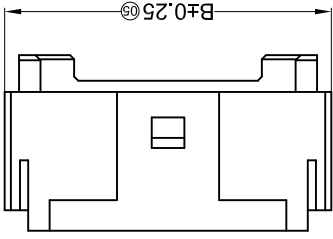
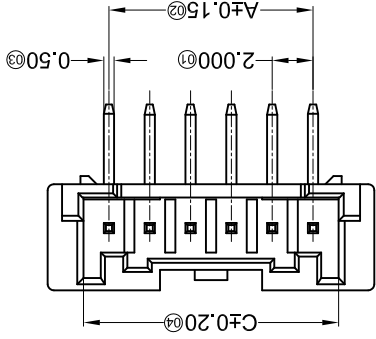
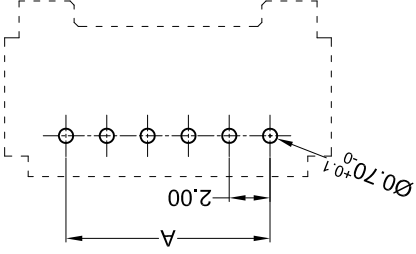
REVISION	SHEET	WEIGHT	SIZE: A4	DATE	DATE	DATE	DATE
A0	1/1	1.0g					

XKB INDUSTRIAL PRECISION CO., LIMITED

APPD	DATE	DATE	DATE
CHKD	DATE	DATE	DATE
DWN	DATE	DATE	DATE
DSND	DATE	DATE	DATE

MODEL TYPE:	SCALE: N/A	VIEW:	UNIT: mm	PART NO.:	DWG NO.:
X2000WR-XXA-9T-SN		2.00mm Crimp Style Connector			

Recommended P.C.B Layout
 General Tolerance ±0.05

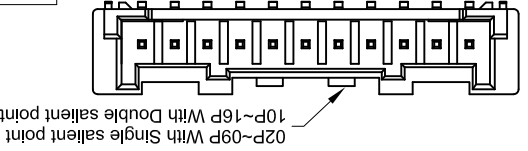
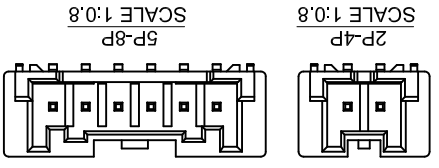
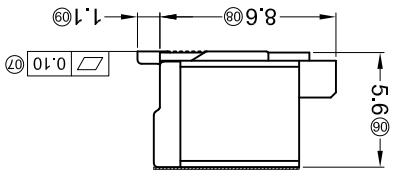
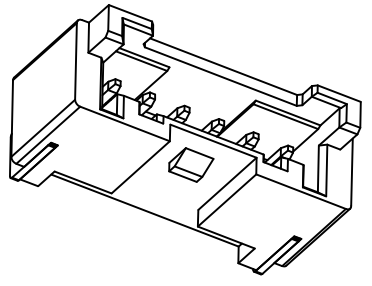
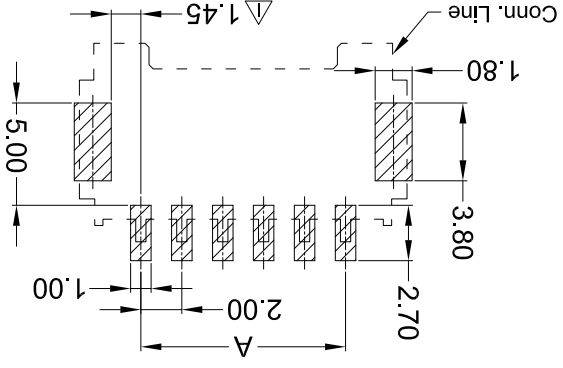
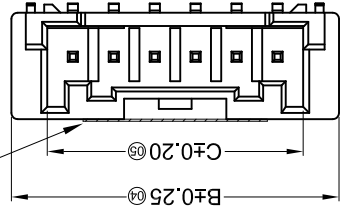
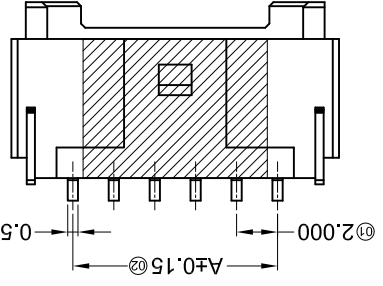


PART NO	Material	Material(Pin)	Finish(Pin)	Suitable XKB Terminal
X2000WR-XXA-9T-SN	PA9T UL 94V-0	Brass	Tin-Plated	X2000H

Poles	Dimensions (mm)		
	A	B	C
02	2.00	8.00	4.50
03	4.00	10.00	6.50
04	6.00	12.00	8.50
05	8.00	14.00	10.50
06	10.00	16.00	12.50
07	12.00	18.00	14.50
08	14.00	20.00	16.50
09	16.00	22.00	18.50

- ① Series No. X2000 W R X-XX A-9T SN XX
- ② Category: W-WAFER
- ③ Welding Board Angle: R-Right Angle 90°
- ④ Welding Way: Blank-DIP
- ⑤ Row No.-Pin No.: XX-02P~16P
- ⑥ Plug the Pin & Special No.: A-Without kink
- ⑦ Material: 9T -PA9T 94V-0
- ⑧ Plating Category: SN-Bright Tin Plating
- ⑨ Color: Blank-Natural Color

- Specifications :
- Voltage rating: 250V AC / DC
 - Current rating: 3A AC / DC
 - Withstanding voltage: 800V AC/minute
 - Temperature range: -25°C~+85°C
 - Insulation resistance: ≥100MΩ
 - Contact resistance: ≤10mΩ
 - After environmental testing: ≤20mΩ



For and on behalf of
KXB INDUSTRIAL PRECISION CO., LIMITED
 香港星坤工業精密有限公司

Revisions (Authorized Signatures)

MARK	DESCRIPTION	DATE	REVISED	APPROVED	UNSPECIFIED TOLERANCES
△ X					$L > 63$
△ X					$16 > L \leq 63$
△ X					$4 < L \leq 16$
△ X					$L \leq 4$
					ANGULAR $\pm 5^\circ$

REVISION	SHEET	WEIGHT	1/1	1.0g
AO				

DSND	DATE	SCALE: N/A	MODEL TYPE: 2000WRS-XX-9TXX

DWN	DATE	VIEW:	PART NO.:

CHKD	DATE	UNIT: mm	SIZE: A4

APPD	DATE	DATE	DATE

X2000 W R S-XX X -9T XX XX

① Series No.

② Category: W-WAFER

③ Welding Board Angle: R-Right Angle 90°

④ Welding Way: S-SMT

⑤ Row No.-Pin No.: XX-02P~16P

⑥ Plug the Pin & Special No.

⑦ Material: 9T -PA9T 94V-0

⑧ Plating Category: SN-Bright Tin Plating; SW-Matte Tin

⑨ Color: Blank-Natural Color

- Specifications:
- Voltage rating: 250V AC / DC
- Current rating: 3A AC / DC
- Withstanding voltage: 800V AC/minute
- Temperature range: -25°C~+85°C
- Insulation resistance: $\geq 1000M\Omega$
- Contact resistance: $\leq 10m\Omega$
- After environmental testing: $\leq 20m\Omega$

Poles	Dimensions (mm)	
	A	B
02	2.00	8.00
03	4.00	10.00
04	6.00	12.00
05	8.00	14.00
06	10.00	16.00
07	12.00	18.00
08	14.00	20.00
09	16.00	22.00

PART NO	Material	Material(Pin)	Finish(Pin)	Material (Solder Tabs)	
				Finish (Solder Tabs)	Mates With Housing
X2000WRS-XX-9T5W	PA9T UL 94V-0	Brass	Tin Plating	Matte Tin	X2000H
X2000WRS-XX-9T5N	Brass	Brass	Tin Plating	Matte Tin	X2000H

For and on behalf of
XKB INDUSTRIAL PRECISION CO., LIMITED
 香港星坤工業精密有限公司
 (Authorized Signatures)

MARK	DESCRIPTION	DATE	REVISD	APPROVED	UNSPECIFIED TOLERANCES
△ X					±0.5
△ X					16 > L ≤ 63
△ X					4 < L ≤ 16
△ X					L ≤ 4
					ANGULAR ±5°

REVISION	SHEET	WEIGHT	SIZE	DATE	APPD
A0	1/1	1.0g	A4		

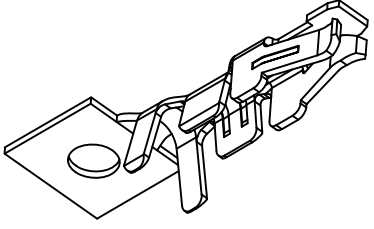
DATE	VIEW	UNIT	DATE	CHKD
	VIEW:	UNIT: mm		

DATE	SCALE	MODEL TYPE	DATE	DNSD
	SCALE: N/A	MODEL TYPE: X2000T-PXX		

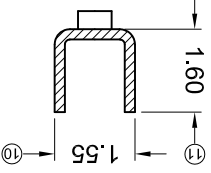
DATE	DATE	DATE

PART NO	Material	Wire Range	Insulation O.D.	Finish
X2000T-PG03	Phosphor Bronze AWG#22-28	1.50mm(Max)		Stamping Before Plating:30u" Ni;Contact Gold:3u"
X2000T-PSNB				Plating Before Stamping:10u" Ni;40u" Sn
X2000T-PSN				Stamping Before Plating:30u" Ni;70u" Sn

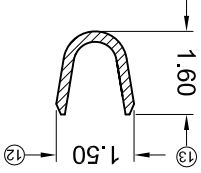
PART NO	Material	Wire Range	Insulation O.D.	Finish
Suitable XKB Terminal				



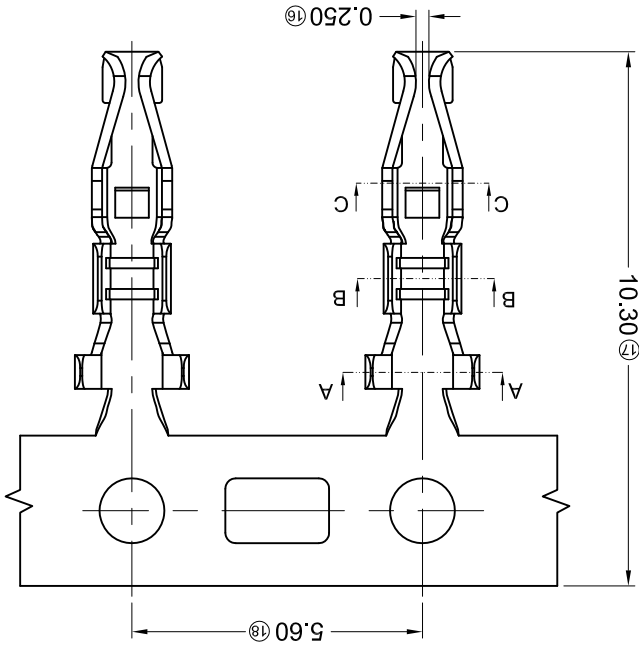
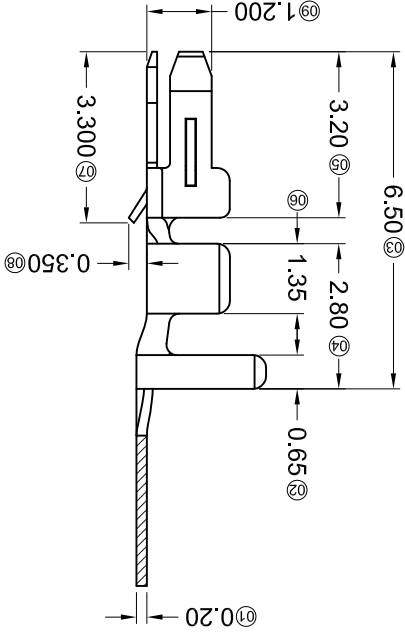
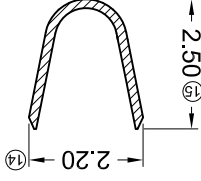
SECTION: C-C
 SCALE: 1:1



SECTION: B-B
 SCALE: 1:1



SECTION: A-A
 SCALE: 1:1



■ Specifications :

- Voltage rating: 250V AC / DC
- Current rating: 3A AC / DC
- Withstanding voltage: 800V AC/minute
- Temperature range: -25°C~+85°C
- Insulation resistance: ≥100MΩ
- Contact resistance: ≤10mΩ
- After environmental testing: ≤20mΩ

X2000 T X-P XX X-X
 ① Series No.
 ② Category: T-Terminal
 ③ Appearance type: Blank-Ordinary
 ④ Material: P-Phosphor bronze
 ⑤ Plating Style: G03-Contact Gold 3u"

- ⑥ Plating Method : B-Plating before stamping
- ⑦ Mold No./Mark/Special No.

SN-Bright Tin Plating

X-ON Electronics

Largest Supplier of Electrical and Electronic Components

Click to view similar products for [Headers & Wire Housings](#) category:

Click to view products by [XKB](#) manufacturer:

Other Similar products are found below :

[95000-104TRLF](#) [10135584-644402LF](#) [DF62W-EP2022PCA](#) [95000-106TRLF](#) [DF62W-2022SCA](#) [DF62W-EP2022PC](#) [2203348](#) [DF62W-2022SC](#) [1084018](#) [1029039](#) [1084017](#) [802-10-012-10-002000](#) [1112640](#) [1112639](#) [891-007-9SS-BST1T](#) [000-34000](#) [0008550134](#) [0009482033](#) [0009507031](#) [57102-F02-18ULF](#) [57102-S06-03LF](#) [57202-S52-04LF](#) [PCN6-15S-2.5E](#) [0039019024](#) [58102-G61-06LF](#) [582553-1](#) [0009485154](#) [0009508121](#) [0022285053](#) [0050291907](#) [018731A](#) [LY20-4P-DT1-P1E-BR](#) [02.125.8002.8](#) [60101931](#) [60598-1 \(Cut Strip\)](#) [M1625-3R/100](#) [61062-3](#) [61082-181009](#) [CSU011177004](#) [636-1427](#) [638009-1](#) [641938-9](#) [641991-4](#) [644168-1](#) [644827-2](#) [647662-1](#) [65039-019ELF](#) [65692-001LF](#) [65781-018](#) [65781-047](#)