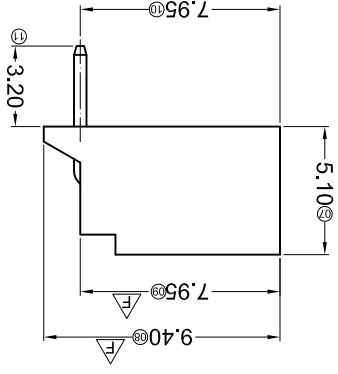
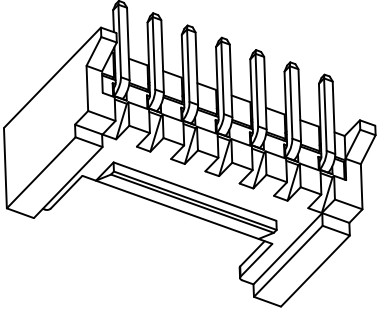
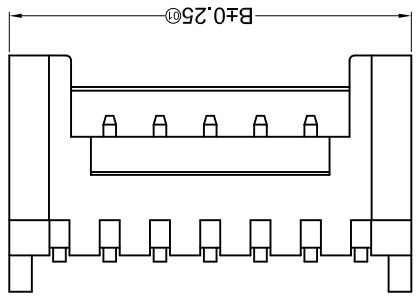
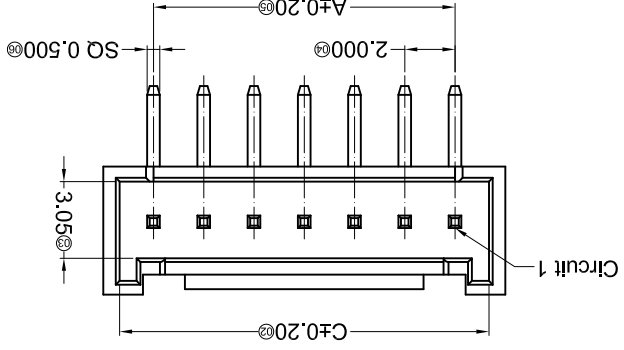
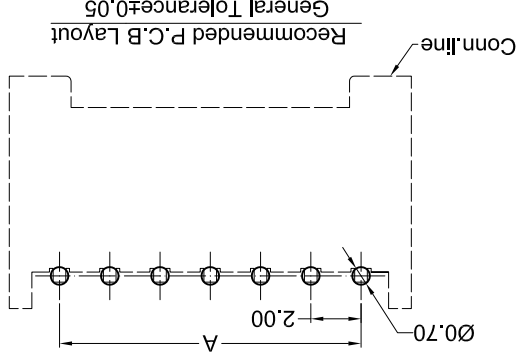


For and on behalf of
XKB INDUSTRIAL PRECISION CO., LIMITED
 香港星坤工業精密有限公司

MARK	DESCRIPTION	DATE	REVISIONS	UNSPECIFIED TOLERANCES
△ X				L > 63
△ X				16 < L ≤ 63
△ X				4 < L ≤ 16
△ X				L ≤ 4
				ANGULAR
				± 5°



Poles	Dimensions (mm)			Poles	Dimensions (mm)		
	A	B	C		A	B	C
02	2.00	6.00	4.70	10	18.00	22.00	20.70
03	4.00	8.00	6.70	11	20.00	24.00	22.70
04	6.00	10.00	8.70	12	22.00	26.00	24.70
05	8.00	12.00	10.70	13	24.00	28.00	26.70
06	10.00	14.00	12.70	14	26.00	30.00	28.70
07	12.00	16.00	14.70	15	28.00	32.00	30.70
08	14.00	18.00	16.70	16	30.00	34.00	32.70
09	16.00	20.00	18.70				

- ① Series No.
 ② Category: W-WAFER
 ③ Welding Board Angle: R-Right Angle 90°
 ④ Welding Way: Blank-DIP
 ⑤ Row No.-Pin No.: XX-02P~16P
 ⑥ Plug the Pin & Special No.:
 A-With Link Stopper DIP-3.20mm
 ⑦ HF-Halogen Free
 ⑧ Material: NO -PA66 UL 94V-0
 ⑨ Plating Category: SN-Bright Tin Plating
 ⑩ Color : Blank-Natural Color

- Specifications :
- Voltage rating: 250V AC / DC
 - Current rating: 3A AC / DC
 - Withstanding voltage: 1000V AC/minute
 - Temperature range: -25°C~+85°C
 - Insulation resistance: ≥1000MΩ
 - Contact resistance: ≤30mΩ
 - After environmental testing : ≤40mΩ

X2011 W R X-XX A HF-N0 SN XX
 ① ② ③ ④ ⑤ ⑥ ⑦ ⑧ ⑨ ⑩

PART NO	Material	Material(Fin)	Finish(Fin)	Suitable XKB Terminal
X2011WR-XXAHF-N0SN	PA 66 UL 94V-0 Halogen Free	Brass	Tin-Plated	X2011H
X2011WR-XXA-N0SN	PA 66 UL 94V-0			

DSND	DATE	SCALE: N/A	MODEL TYPE: X2011WR-XXA-N0SN
APPD	DATE <td>SIZE: A4</td> <td></td>	SIZE: A4	
CHKD	DATE <td>UNIT: mm</td> <td>DWG NO.:</td>	UNIT: mm	DWG NO.:
DWN	DATE <td>VIEW: </td> <td>PART NO.:</td>	VIEW:	PART NO.:
			2.00mm Crimp Style Connector
			WEIGHT 1.0g
			SHEET 1/1
			REVISION A0

XKB INDUSTRIAL PRECISION CO., LIMITED

X-ON Electronics

Largest Supplier of Electrical and Electronic Components

Click to view similar products for [Headers & Wire Housings](#) category:

Click to view products by [XKB](#) manufacturer:

Other Similar products are found below :

[95000-104TRLF](#) [10135584-644402LF](#) [DF62W-EP2022PCA](#) [95000-106TRLF](#) [DF62W-2022SCA](#) [DF62W-EP2022PC](#) [2203348](#) [DF62W-2022SC](#) [1084018](#) [1029039](#) [1084017](#) [802-10-012-10-002000](#) [1112640](#) [1112639](#) [891-007-9SS-BST1T](#) [000-34000](#) [0008550134](#) [0009482033](#) [0009507031](#) [57102-F02-18ULF](#) [57102-S06-03LF](#) [57202-S52-04LF](#) [PCN6-15S-2.5E](#) [0039019024](#) [58102-G61-06LF](#) [582553-1](#) [0009485154](#) [0009508121](#) [0022285053](#) [0050291907](#) [018731A](#) [LY20-4P-DT1-P1E-BR](#) [02.125.8002.8](#) [60101931](#) [60598-1 \(Cut Strip\)](#) [M1625-3R/100](#) [61062-3](#) [61082-181009](#) [CSU011177004](#) [636-1427](#) [638009-1](#) [641938-9](#) [641991-4](#) [644168-1](#) [644827-2](#) [647662-1](#) [65039-019ELF](#) [65692-001LF](#) [65781-018](#) [65781-047](#)